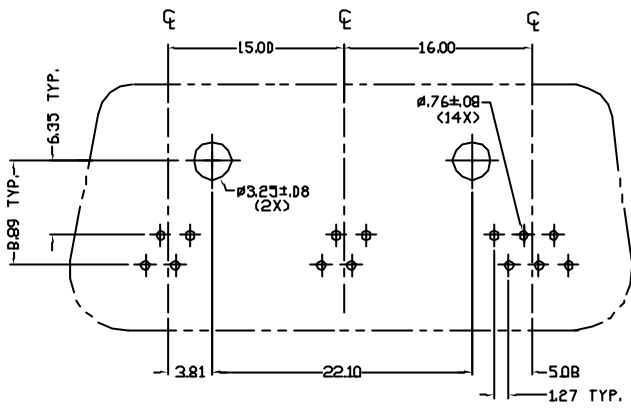


Tous droits strictement réservés. Reproduction ou communication à des tiers interdite sous quelque forme que ce soit sans autorisation écrite du propriétaire. Propriété de c FCI. Droits de reproduction FCI.



All rights strictly reserved. Reproduction or issue to third parties in any form whatever is not permitted without written authority from the proprietor. Property of FCI. Copyright FCI.



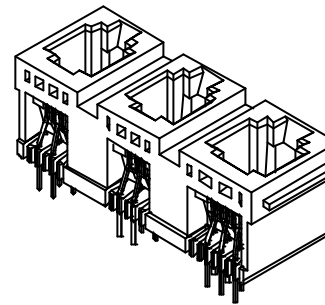
PCB FOOTPRINT LAYOUT

CPC	DIMENSION						
	'A'	'B'	'C'	'D'	'E'	'F'	'G'
FT600541	2.41	3.82	11.18	3.81	3.05	5.59	7.87
FT600541LF	2.41	3.82	11.18	3.81	3.05	5.59	7.87
FT658160	2.41	3.82	11.18	3.81	3.05	5.59	7.87
FT658160LF	2.41	3.82	11.18	3.81	3.05	5.59	7.87
FT684947	2.41	2.81	13.21	2.79	4.06	6.69	9.88
FT684947LF	2.41	2.81	13.21	2.79	4.06	6.69	9.88

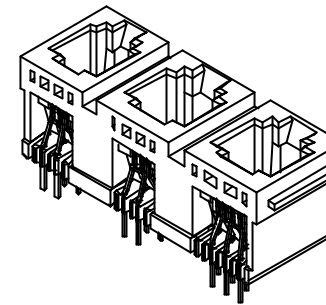
CPC	POSITIONS LOADED			PACKAGING
	JACK A	JACK B	JACK C	
FT600541	ALL	ALL	C2,C3,C4,C5	TUBE
FT600541LF	ALL	ALL	C2,C3,C4,C5	TUBE
FT658160	ALL	ALL	ALL	TUBE
FT658160LF	ALL	ALL	ALL	TUBE
FT684947	ALL	B1,B2,B3,B4	C2,C3,C4,C5	TUBE
FT684947LF	ALL	B1,B2,B3,B4	C2,C3,C4,C5	TUBE

NOTES:

- REGULATORY APPROVALS:
  - \* RECOGNIZED TO U.S. AND CANADIAN REQUIREMENTS UNDER THE COMPONENT RECOGNITION PROGRAM OF Underwriters Laboratories Inc.
  - \* CERTIFIED BY THE Canadian Standard Association.
- INSIDE CAVITIES ARE CONFORMED WITH FCC RULES PART 68, SUBPART "F".
- THESE DIMENSIONS APPLY OVER ENTIRE PROTRUDING HEIGHT OF THE TERMINAL.
- HOUSING MATERIAL: HIGH TEMP. THERMOPLASTIC, COLOR - BLACK, UL94V-0.
- CONTACT MATERIAL: PHOSPHOR BRONZE  
MATING AREA PLATING: Au OVER Ni  
SOLDER AREA PLATING: Sn/Pb OVER Ni,  
EXCEPT FOR PART NUMBER WITH LF ON END.



600541 & 658160 SERIES ONLY



684947 SERIE

LEAD FREE SOLDER TAIL PLATING 2um(80uin)  
MIN MATTE TIN OVER 1.27um(50uin) MIN NICKEL UNDERPLATE.

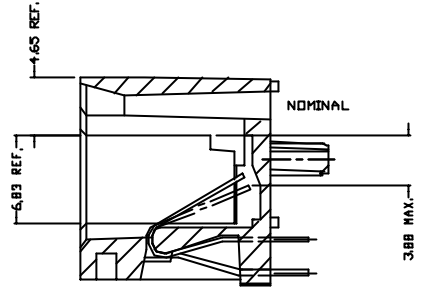
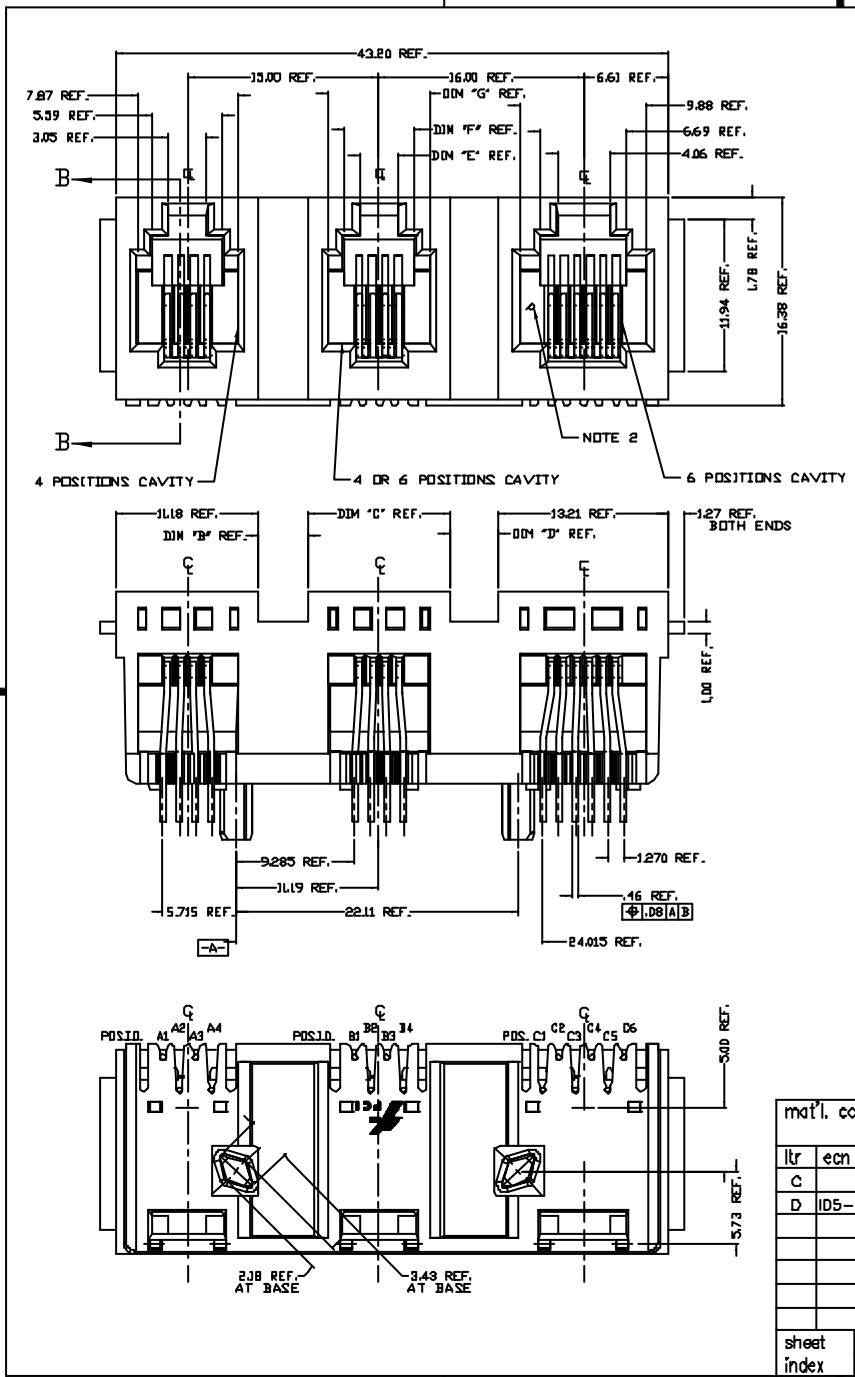
- THE JACKS WERE REPLACED BY "FG" OR "FT" DEPENDING OF PACKAGING METHOD (TUBE/GPAX).
- THIS PRODUCT COVERED BY PRODUCT SPEC. GS-12-083.
- MATES WITH FCC PART 68 PLUGS  
4/4,4/4,6/6 FULLY LOADED - TOP ENTRY  
4/4,4/4,4/6 SELECT LOADED - TOP ENTRY  
4/4,4/6,4/6 SELECT LOADED - TOP ENTRY  
PRESS-FIT (STANDARD) RETENTION PEGS
- THE HOUSING WILL WITHSTAND EXPOSURE TO 260°C PEAK TEMPERATURE FOR 5 SECONDS IN A WAVE SOLDER APPLICATION WITH A 1.60mm MIN THICK CIRCUIT BOARD. SLIGHT DEFORMATION MAY OCCUR FOR THE DIAMOND PEGS AT 260-265° C WHICH WILL NOT AFFECT THE FUNCTION OF THE PRODUCT.
- PACKAGING OF LEAD FREE PRODUCTS MEETS LABELING AND PACKAGING SPECIFICATION GS-14-920.
- LEAD FREE PRODUCTS MEET EUROPEAN UNION DIRECTIVES AND OTHER COUNTRY REGULATIONS AS DESCRIBED IN GS-22-008.

mat'l. code				tolerances unless otherwise specified		CUSTOMER COPY		A FCI www.fciconnect.com	
ltr	ecn no	dr	date	X.X ±0.3		projection		title	
A	V20906	JRV	5/10/02	X.XX ±0.10		⊕		4/4/6 & 4/6/6 POS. VERTICAL JACK ASSEM.	
B	V04-0323	DAI	5/17/04	X.XXX ±0.050		↔		product family MOD JACK	
C	V05-0420	VS	10/5/05	angles 0° ±2°		MM		size dwg no	
D	ID5-0255	HVN	28/11/05	dr	J.R.VOLSTORF	4/30/02	scale		code
				enfr	J.R.VOLSTORF	4/30/02	1:1		213
				chr	Hiran V N	11/28/05	A		58111
				appr	K.Somasunderam	1/28/05			sheet
sheet index	revision sheet	D	D					1 of 2	
		1	2					code code	
								22526	

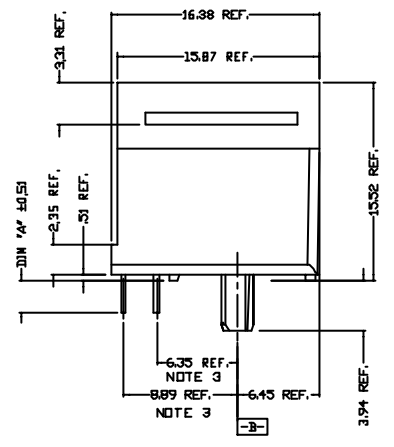
Tous droits strictement réservés. Reproduction ou communication à des tiers interdite sous quelque forme que ce soit sans autorisation écrite du propriétaire. Propriété de c FCI. Droits de reproduction FCI.



All rights strictly reserved. Reproduction or issue to third parties in any form whatever is not permitted without written authority from the proprietor. Property of FCI. Copyright FCI.



SECTION B-B



ALL VIEWS ONLY DEPICT JACK (4/4/6) FULLY LOADED

mat'l. code		tolerances unless otherwise specified		CUSTOMER COPY		 www.fciconnect.com	
ltr	ecn no	dr	date	linear	X.X ±0.3	projection	title
C				linear	X.XX ±0.10		4/4/6 & 4/6/6 POS. VERTICAL JACK ASSEM.
D	105-0255	HVN	28/11/05	angles	X.XXX ±0.050		product family
					0° ±2°	size	dwg no
				dr	J.R.VOLSTORF	4/30/02	code
				enfr	J.R.VOLSTORF	4/30/02	213
				chr	Hiran V N	28/11/05	sheet
				appd	K.Samasunderam	28/11/05	2 of 2
sheet index	revision sheet	D	2	scale	1:1	A	58111
				code code	22526		

ACAD

PDM: Rev:D

STATUS:Released

Printed: Jan 18, 2006