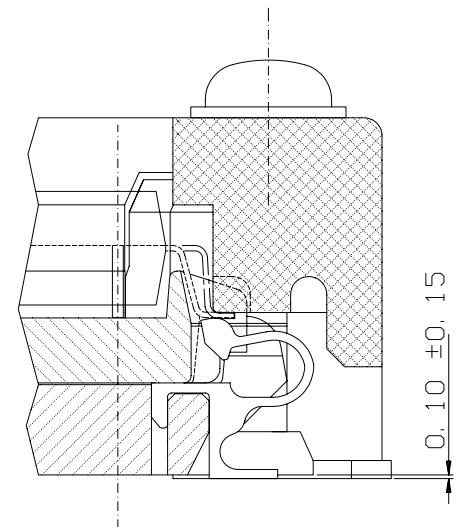
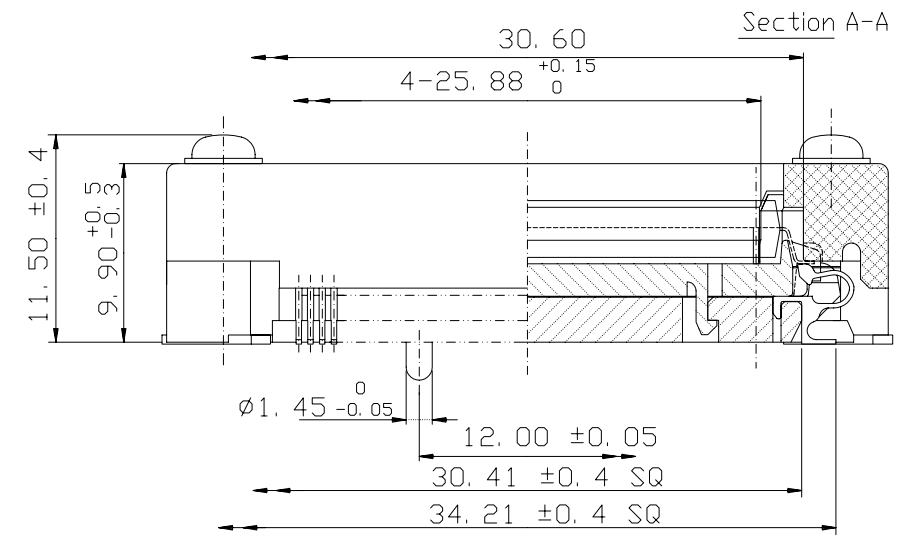
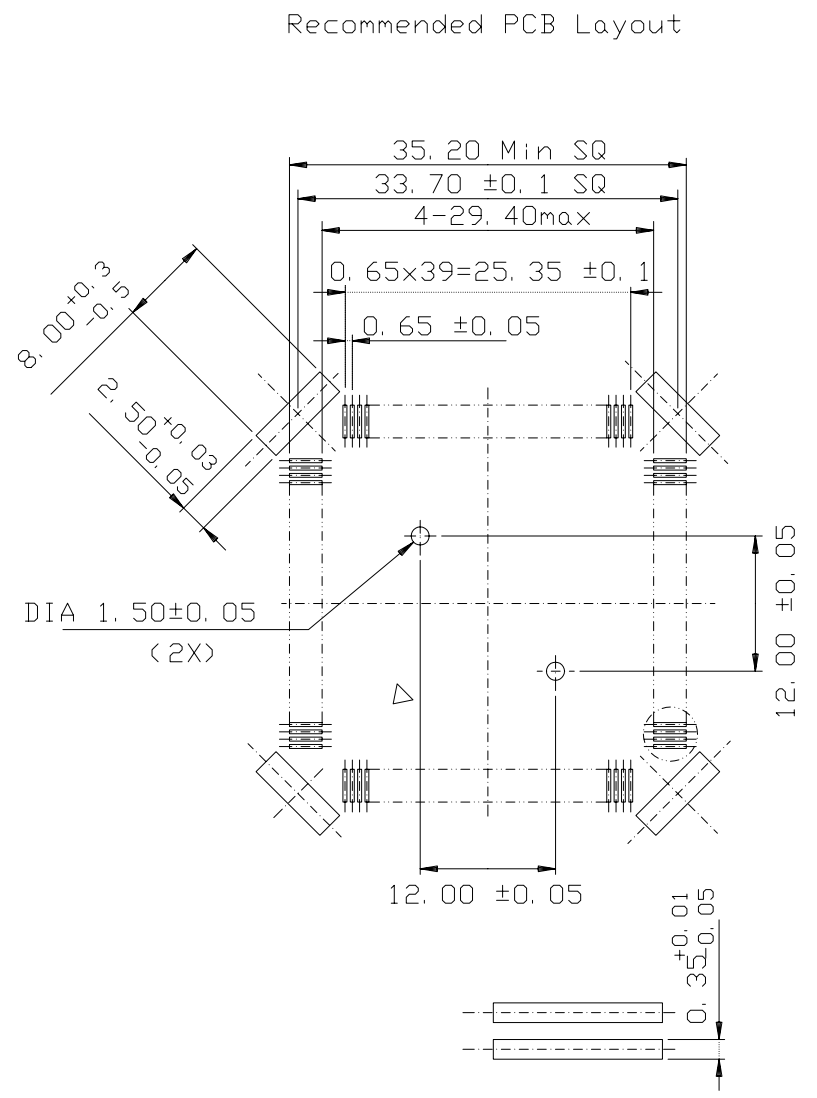
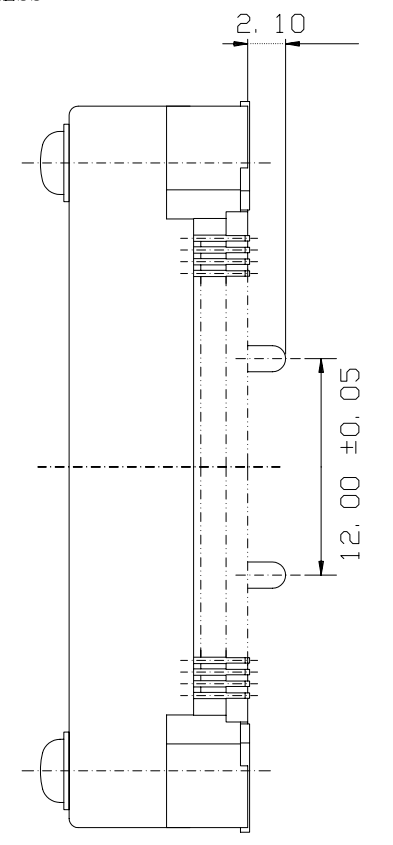
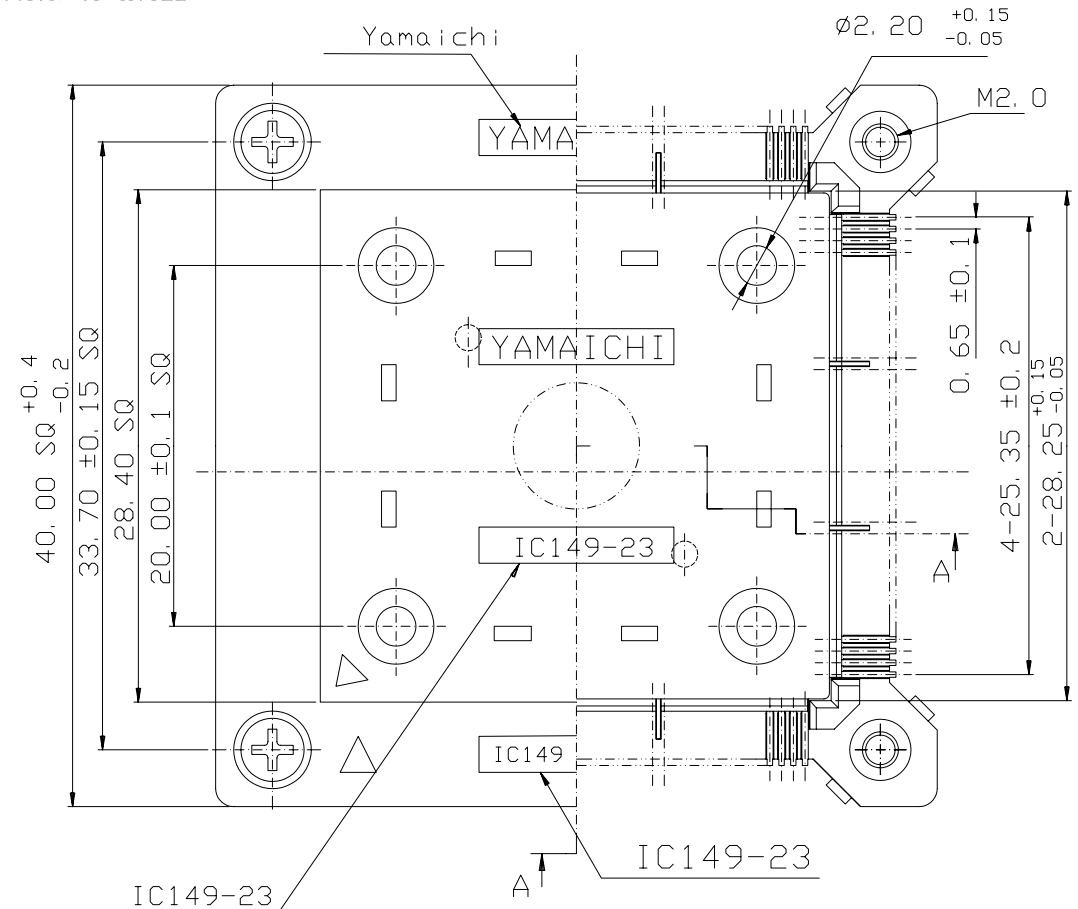


THE DRAWINGS AND INFORMATION CONTAINED HEREIN ARE THE EXCLUSIVE PROPERTY OF ACTEL.
 THE INFORMATION, DRAWINGS AND DESIGN CONCEPTS CONTAINED HEREIN ARE CONFIDENTIAL/PROPRIETARY, SHALL
 BE MAINTAINED IN STRICT CONFIDENCE, AND SHALL NOT BE RELEASED TO ANY THIRD PARTY WITHOUT THE EXPRESS
 WRITTEN PERMISSION OF ACTEL.

ECN NO.	REV.	DESCRIPTION OF CHANGE	EFFECTIVE DATE	ORIGINATOR
2007352	0	Initial	06/15/2007	Lijie Zhao



- Notes:
- Controlling dimensions are in millimeters.
 - Yamaichi socket number IC149-160-123-B5

UNLESS OTHERWISE SPECIFIED DIMENSIONS ARE IN MILLIMETERS

DECIMAL	ANGULAR
X.X ±0.10	±1°
X.XX ±0.05	
X.XXX ±0.03	

MATERIAL	SEE NOTES
FINISH	SEE NOTES
DO NOT SCALE DRAWING	

PROJECTION	
APPROVALS	DATE
DRAWN Lijie zhao	06/15/07
CHECKED	
ENG'R	
RELEASED	

Actel		ACTEL CORPORATION 2061 Stierlin Court Mountain View, CA 94043-4655	
TITLE		TITLE	
SY-PQG166, Yamaichi lead free prototype socket drawing for PQG160 and PQG160 packages			
VENDOR NAME:	Yamaichi	ACTEL DWG. NUMBER	1-07-11066
SIZE	B	VENDOR DWG. NUMBER	N/A
Actel Part#: SY-PQG160		SCALE: NONE	SHEET 1 OF 1