



SANYO Semiconductors

DATA SHEET

LV2282VA — Bi-CMOS IC FM Transmitter IC with Stereo Modulation

Overview

The LV2282VA is an FM Transmitter IC. MPX block makes stereo modulated, composite signal from L and R sound inputs. RF VCO include FM modulation function. Audio AGC function keeps FM modulation well regulated. PLL synthesizer determines RF output frequency with I²C or 3-bit parallel control (selectable).

Application

- Portable Memory Player
- Portable HDD Player
- Wireless Headphone

Features

- (Audio) AGC amplifier
- (MPX) Pilot tone system stereo modulation, audio attenuation
- (RF) VCO, driver amplifier
- (PLL) 70 to 110MHz, 100kHz step available, I²C bus control, 3-bit parallel control

Specifications

Absolute Maximum Ratings at Ta = 25°C

Parameter	Symbol	Conditions	Ratings	Unit
Maximum supply voltage	V _{CC} max	Pin 4, 11, 15	5.0	V
Maximum input voltage	V _{IN} max		V _{CC} +0.3	V
Minimum input voltage	V _{IN} min		-0.3	V
Allowable power dissipation	Pd max	Ta ≤ 85°C, Mounted on a specified board*	500	mW
Operating temperature	T _{opr}		-40 to +85	°C
Storage temperature	T _{stg}		-55 to +150	°C

* Specified board : 114.3mm×76.1mm×1.6mm, glass epoxy circuit board.

■ Any and all SANYO Semiconductor Co.,Ltd. products described or contained herein are, with regard to "standard application", intended for the use as general electronics equipment (home appliances, AV equipment, communication device, office equipment, industrial equipment etc.). The products mentioned herein shall not be intended for use for any "special application" (medical equipment whose purpose is to sustain life, aerospace instrument, nuclear control device, burning appliances, transportation machine, traffic signal system, safety equipment etc.) that shall require extremely high level of reliability and can directly threaten human lives in case of failure or malfunction of the product or may cause harm to human bodies, nor shall they grant any guarantee thereof. If you should intend to use our products for applications outside the standard applications of our customer who is considering such use and/or outside the scope of our intended standard applications, please consult with us prior to the intended use. If there is no consultation or inquiry before the intended use, our customer shall be solely responsible for the use.

■ Specifications of any and all SANYO Semiconductor Co.,Ltd. products described or contained herein stipulate the performance, characteristics, and functions of the described products in the independent state, and are not guarantees of the performance, characteristics, and functions of the described products as mounted in the customer's products or equipment. To verify symptoms and states that cannot be evaluated in an independent device, the customer should always evaluate and test devices mounted in the customer's products or equipment.

SANYO Semiconductor Co., Ltd.

TOKYO OFFICE Tokyo Bldg., 1-10, 1 Chome, Ueno, Taito-ku, TOKYO, 110-8534 JAPAN

LV2282VA

Recommended Operating Conditions at Ta = 25°C

Parameter	Symbol	Conditions	Ratings	Unit
Recommended supply voltage	V _{CC}	Pin 4, 11, 15	3.3	V
Operating supply voltage range	V _{CC op}	Pin 4, 11, 15	2.6 to 4.0	V

AC Characteristics Ta = 25°C, V_{CC} = 3.3V, I²C bits = Default state, L and R input = 1kHz, 20mVrms, unless otherwise noted

Parameter	Symbol	Conditions	Ratings			Unit
			min	typ	max	
Circuit current	I _{CC}	No input signal, Pin 4, 11, 12, 15 current		10	15	mA
Standby current	ISTB	No input signal, I ² C bit "STB" = "1", Pin 4, 11, 12, 15 current			10	μA

Audio and MPX Blocks

Parameter	Symbol	Conditions	Ratings			Unit
			min	typ	max	
Maximum audio input	VA max	Pin 1 and 24 input			100	mVrms
Audio input frequency	FAF	Pin 1 and 24 input	20		15k	Hz
Channel separation	SEP	Pin 5, composite output, L→R, R→L	20	30		dB
Channel balance	CB	Pin 5, composite output	-2	0	2	dB
Total harmonic distortion	THD	Pin 5, composite output		0.5	1.5	%
Maximum gain	GMAX	Pin 5/Pin 1 and 24	6	9	12	dB
AGC gain range	GR	Pin 5/Pin 1 and 24	9	11	13	dB
Pilot tone output level	PMOD	I ² C bits "PA1/PA0" = "01"	2	4	6	mVrms
Composite output level	MPXOUT		19	30	48	mVrms
Audio attenuation	ATT	I ² C bit "ATT" = "1"	25			dB
Crystal oscillator frequency (1)	FXOSC (1)	Pin 21 and Pin 22		76		kHz

RF Blocks

Parameter	Symbol	Conditions	Ratings			Unit
			min	typ	max	
RF output (1)	RFOUT (1)	f = 90MHz, Pin 12 output	109	112	115	dBμV
RF output (2)	RFOUT (2)	f = 90MHz, Pin 14 output	97	100	103	dBμV
RF frequency	FRF	100kHz step	70		110	MHz

PLL Blocks

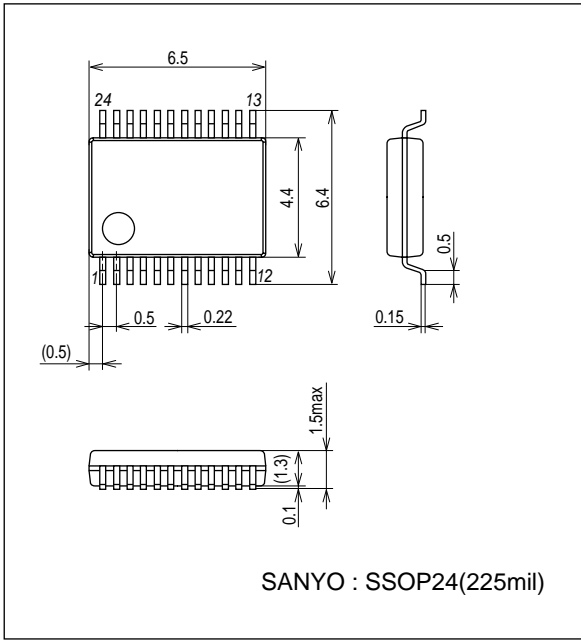
Parameter	Symbol	Conditions	Ratings			Unit
			min	typ	max	
I ² C input "High" voltage	V _H		0.8V _{CC}		V _{CC} +0.3	V
I ² C input "Low" voltage	V _L		-0.3		0.2V _{CC}	V
RF input frequency 1	FPLL1	With I ² C 11bit Step = 100kHz, See table 1	70		110	MHz
RF input frequency 2	FPLL2	With 3bit Parallel Step = 400kHz, See table 3	88.1		90.9	MHz
Crystal oscillator frequency (2)	FXOSC (2)	Pin 17		16		MHz
CP output current	ICP	CP voltage = 1.65V		30		μA

LV2282VA

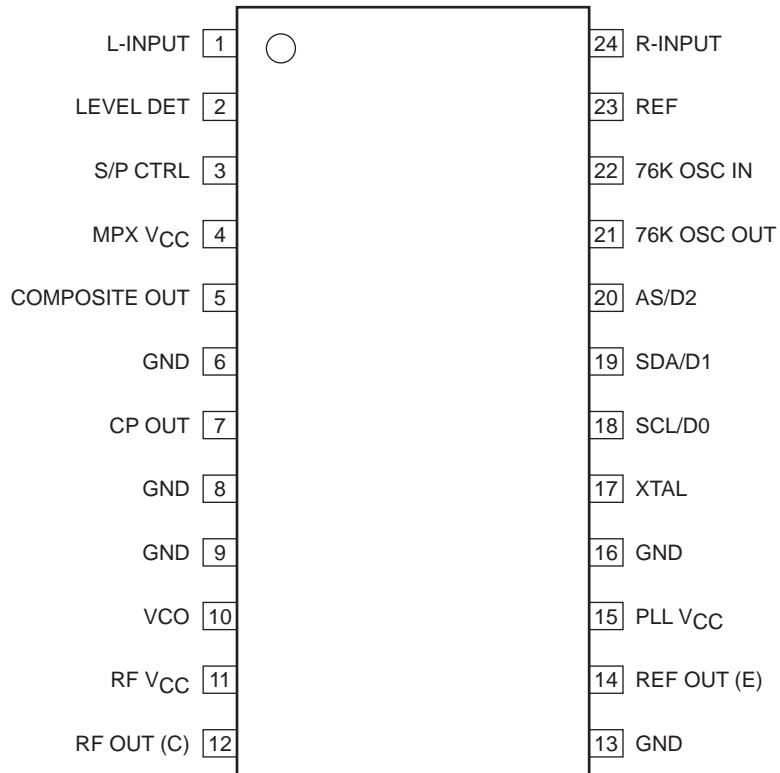
Package Dimensions

unit : mm (typ)

3287

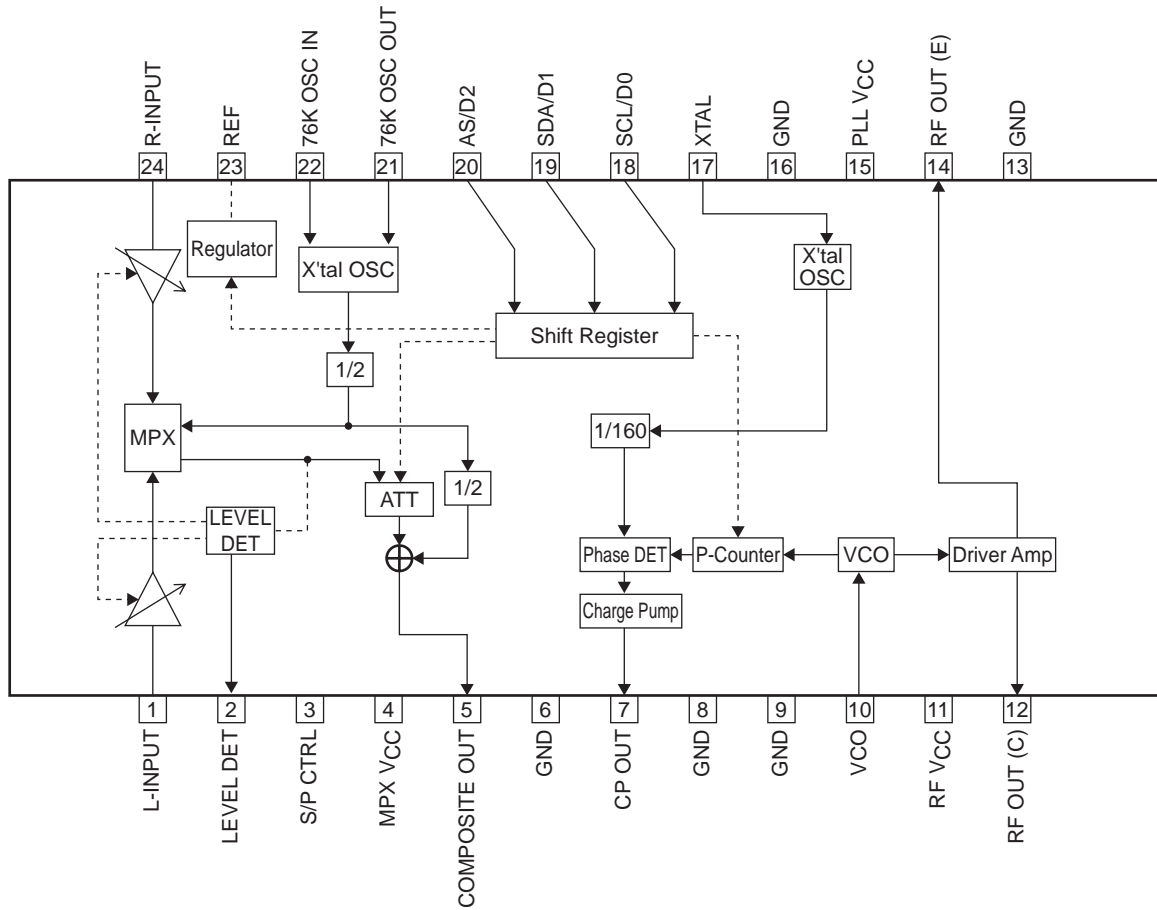


Pin Assignment

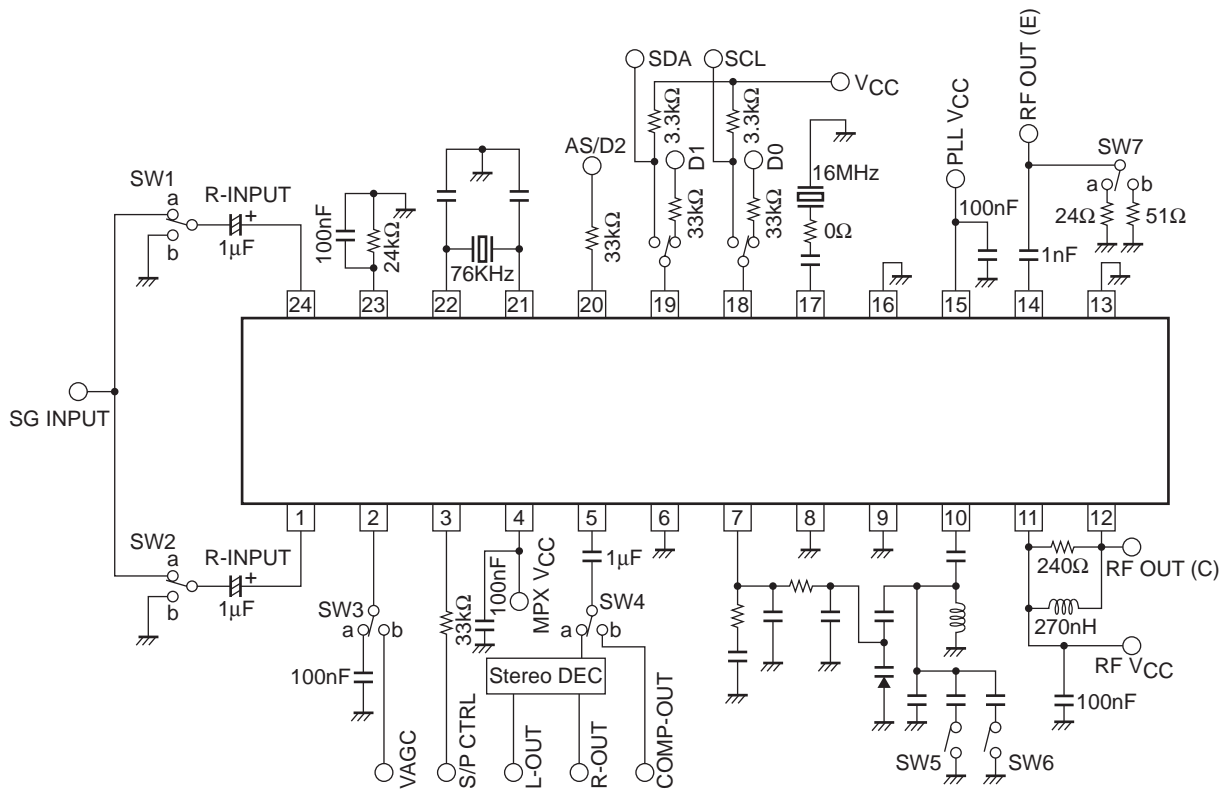


LV2282VA

Block Diagram



AC Testing Circuit



LV2282VA

Pin Description

Pin No.	Pin Name	DC Voltage (V)	Description	Equivalent Circuit
1	L-INPUT	2.8	Left channel input. AC coupling capacitance is required.	
2	LEVEL DET	-	For AGC time constant. Capacitance is required.	
3	S/P CTRL	-	Connect to GND for serial (I ² C) data input. Connect to V _{CC} for parallel data input.	
4	MPX V _{CC}	3.3	V _{CC} for Audio frequency and MPX Blocks.	
5	COMPOSITE OUT	1.7	Stereo modulated output.	
6	GND	0		
7	CP OUT	-	Charge pump current output.	

Continued on next page.

LV2282VA

Continued from preceding page.

Pin No.	Pin Name	DC Voltage (V)	Description	Equivalent Circuit
8	GND	0		
9	GND	0		
10	VCO	2.8	Transistor BASE terminal for Colpitz oscillator.	
11	RF V _{CC}	3.3	V _{CC} for RF blocks.	
12	RF OUT (C)	3.3	Collector output.	
13	GND	0		
14	RF OUT (E)	2.0	Emitter follower output.	See Pin 12.
15	PLL V _{CC}	3.3	V _{CC} for digital blocks.	
16	GND	0		
17	XTAL	1.5	16MHz Crystal is needed for PLL reference frequency.	
18	SCL/D0	-	I ² C clock input / Parallel LSB input.	
19	SDA/D1	-	I ² C data input / Parallel input.	

Continued on next page.

LV2282VA

Continued from preceding page.

Pin No.	Pin Name	DC Voltage (V)	Description	Equivalent Circuit
20	AS/D2	-	I ² C address selection (1bit)/Parallel MSB input.	
21	76K OSC OUT	0.8	For stereo modulator pilot signal and sub carrier. 76kHz crystal should be connected between Pin 21 and Pin 22	
22	76K OSC IN	0.7	See Pin 21	See Pin 21
23	REF	1.2	AC decoupling capacitance is required. External 24kΩ makes internal regulated current.	
24	R-INPUT	2.8	Right channel audio input. AC coupling capacitance is required.	See Pin 1

LV2282VA

PLL Control by I²C Bus

The PLL block requires 3 bytes of I²C input as indicated below.

Table 1. I²C Bus Write Data Format

Name	Byte	Bit								ACK
		MSB (1)				LSB				
Address Byte	1	AD7	AD6	AD5	AD4	AD3	AD2	AS	R/W	A
		1	1	0	1	0	0	1/0	0	
Control Byte 1	2	P10	P9	P8	P7	P6	P5	P4	P3	A
		0	1	1	0	1	1	1	0	
Control Byte 2	3	P2	P1	P0	PA1	PA0	TS	STB	ATT	A
		0	0	1	0	1	0	0	0	

(1) : MSB is transmitted first.

Table 2. I²C Write Mode Description

Bit	Name	Description
AD7 – AD2	Address bit	LV2282VA requires address bits.
AS	Address Select	AS bit is decided by Pin 20. Connecting to V _{CC} = "1", to GND = "0"
R/W	Read/Write	"0" for Write mode (Write mode only).
A	Acknowledge	
P10 – P0	Programmable counter	11 bit Programmable counter. P0 = LSB, P10 = MSB. RF Frequency = (P10×2 ¹⁰ + P9×2 ⁹ + ... P1×2 ¹ + P0) × 100kHz Default state = "01101110001"
PA1 – PA0	Pilot Adjust	2 bit Pilot tone output level adjust. "PA1 PA0" is set "00" for no pilot tone (monaural mode), "01", for minimum output, "11" for maximum output. Default state = "01"
TS	Test Mode	For IC Testing. Set "0" for normal operation. TS for Counter testing. Default state = "0"
STB	Standby	"1" for Standby mode. Default state = "0" for normal operation.
ATT	Audio attenuator	"1" for Audio attenuation. Default state = "0" for normal operation.

PLL Control with Parallel Data Input

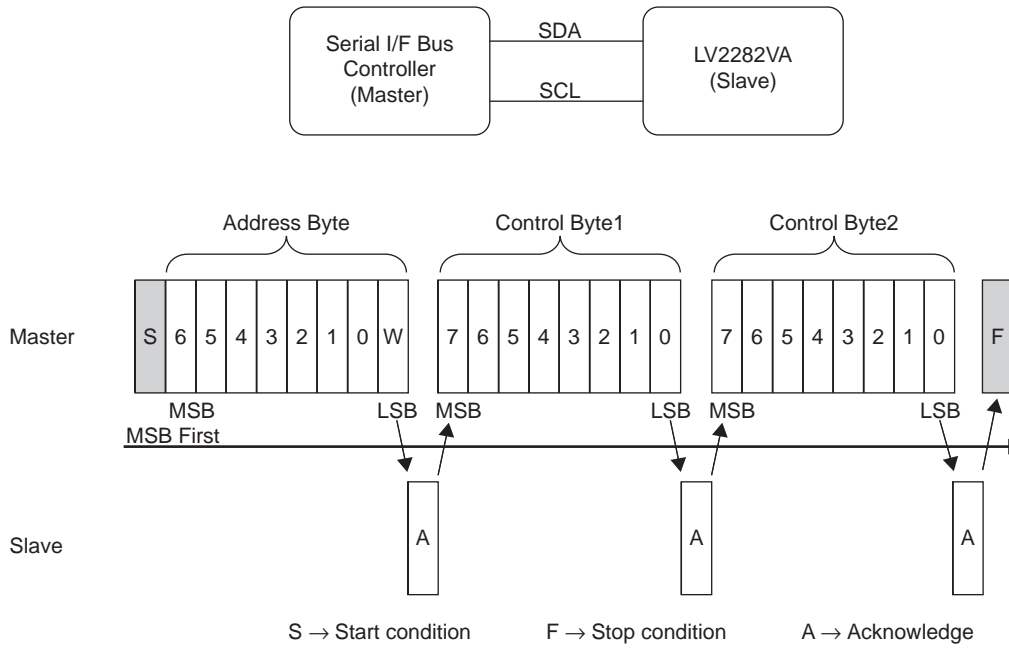
When Pin 3 S/P CTRL, is connected to V_{CC}, PLL blocks requires 3 bit parallel data input as shown below. In parallel data input mode, I²C controllable function in Table 2 is always set as (PA1, PA0, TS, STB, ATT) = (0, 1, 0, 0, 0).

Table 3. Parallel 3 bit Data Format

State	D2 (Pin 20)	D1 (Pin 19)	D1 (Pin 18)	Frequency (MHz)
0	0	0	0	88.1
1	0	0	1	88.5
2	0	1	0	88.9
3	0	1	1	89.3
4	1	0	0	89.7
5	1	0	1	90.1
6	1	1	0	90.5
7	1	1	1	90.9

LV2282VA

I²C Bus Operation



Time chart

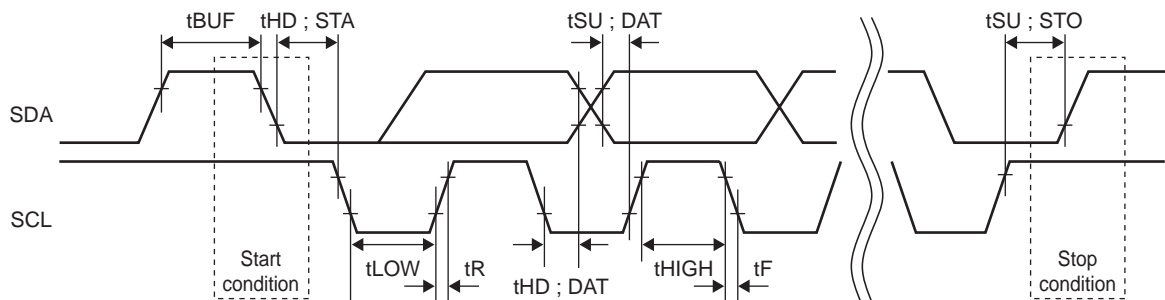


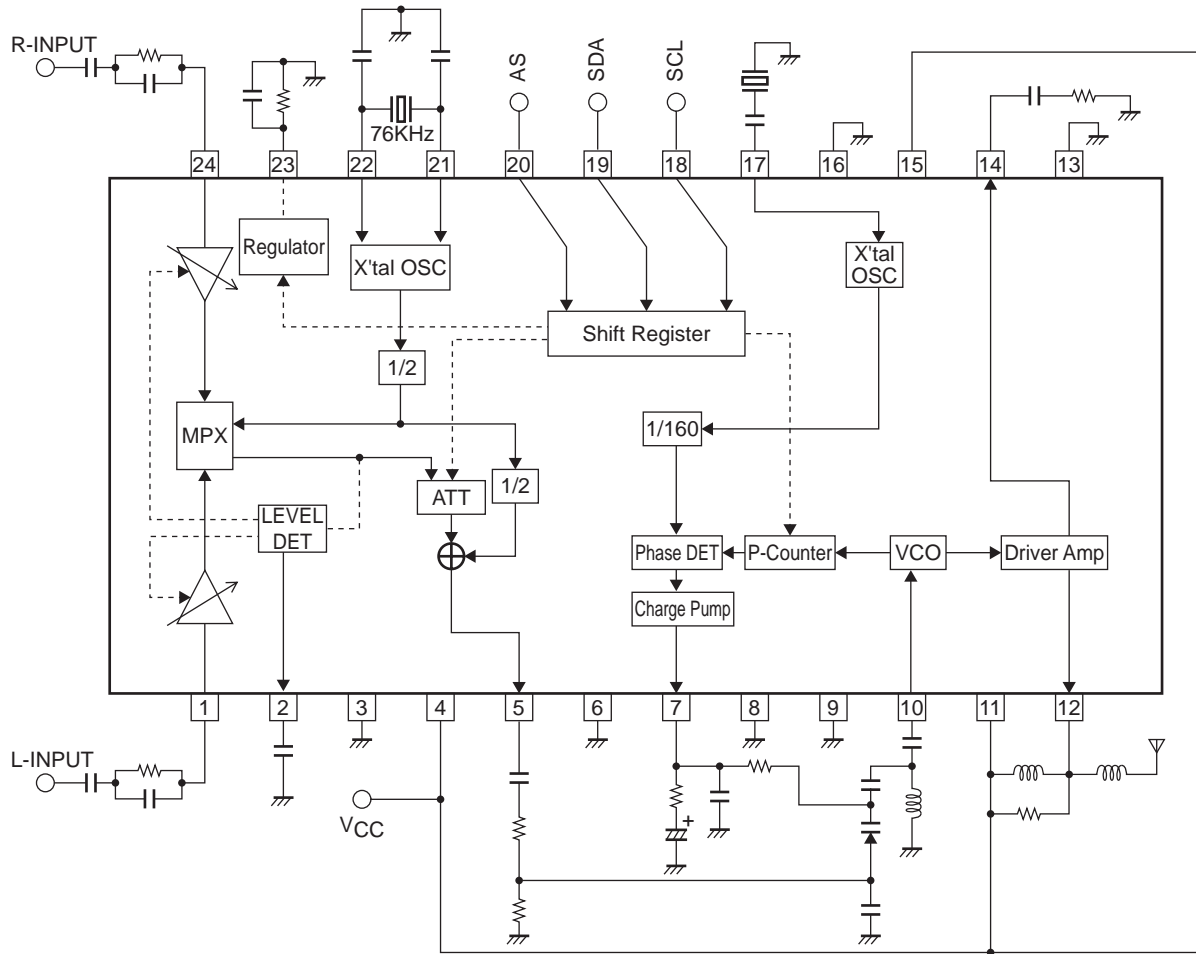
Table 4. Timing specification

Parameter	Symbol	Ratings			Unit
		min	typ	max	
SCL clock frequency	fSCL			100	kHz
Bus free time between a STOP and START condition	tBUF	4.7			μs
Hold time START condition	tHD ; STA	4.0			μs
LOW period of the SCL clock	tLOW	4.7			μs
HIGH period of the SCL clock	tHIGH	4.0			μs
Data hold time	tHD ; DAT	0.0			μs
Data set-up time	tSU ; DAT	250			ns
Rise time of both SDA and SCL signals	tR			1000	ns
Fall time of both SDA and SCL signals	tF			300	ns
Set-up time for STOP condition	tSU ; STO	4.0			μs

I²C Bus AC Characteristics : Temp=25°C V_{CC} = 3.3V

Note : I²C Bus is a registered trademark of the Philips Co..

Application Circuit



- SANYO Semiconductor Co.,Ltd. assumes no responsibility for equipment failures that result from using products at values that exceed, even momentarily, rated values (such as maximum ratings, operating condition ranges, or other parameters) listed in products specifications of any and all SANYO Semiconductor Co.,Ltd. products described or contained herein.
- SANYO Semiconductor Co.,Ltd. strives to supply high-quality high-reliability products, however, any and all semiconductor products fail or malfunction with some probability. It is possible that these probabilistic failures or malfunction could give rise to accidents or events that could endanger human lives, trouble that could give rise to smoke or fire, or accidents that could cause damage to other property. When designing equipment, adopt safety measures so that these kinds of accidents or events cannot occur. Such measures include but are not limited to protective circuits and error prevention circuits for safe design, redundant design, and structural design.
- In the event that any or all SANYO Semiconductor Co.,Ltd. products described or contained herein are controlled under any of applicable local export control laws and regulations, such products may require the export license from the authorities concerned in accordance with the above law.
- No part of this publication may be reproduced or transmitted in any form or by any means, electronic or mechanical, including photocopying and recording, or any information storage or retrieval system, or otherwise, without the prior written consent of SANYO Semiconductor Co.,Ltd.
- Any and all information described or contained herein are subject to change without notice due to product/technology improvement, etc. When designing equipment, refer to the "Delivery Specification" for the SANYO Semiconductor Co.,Ltd. product that you intend to use.
- Information (including circuit diagrams and circuit parameters) herein is for example only; it is not guaranteed for volume production.
- Upon using the technical information or products described herein, neither warranty nor license shall be granted with regard to intellectual property rights or any other rights of SANYO Semiconductor Co.,Ltd. or any third party. SANYO Semiconductor Co.,Ltd. shall not be liable for any claim or suits with regard to a third party's intellectual property rights which has resulted from the use of the technical information and products mentioned above.

This catalog provides information as of December, 2007. Specifications and information herein are subject to change without notice.