

PRINCIPAL SPECIFICATIONS

Model Number	Frequency Range, MHz	Isolation, dB,		Insertion Loss, dB,		Phase Balance,		Amplitude Balance, dB,		VSWR (In/Output)		†Input Power, Max.
		Min.	Typ.	Max	Typ.	Max.	Typ.	Max.	Typ.	Max.	Typ.	
PDHN-20-250	10 - 500	25	30	0.6	0.3	2°	1°	0.2	0.1	1.3:1	1.2:1	20 W
PDHN-20-500	100 - 1000	25	30	1.2	0.8	3°	2°	0.3	0.2	1.5:1	1.3:1	20 W

†CW input power when used as divider with 1.2:1 VSWR_{out}.

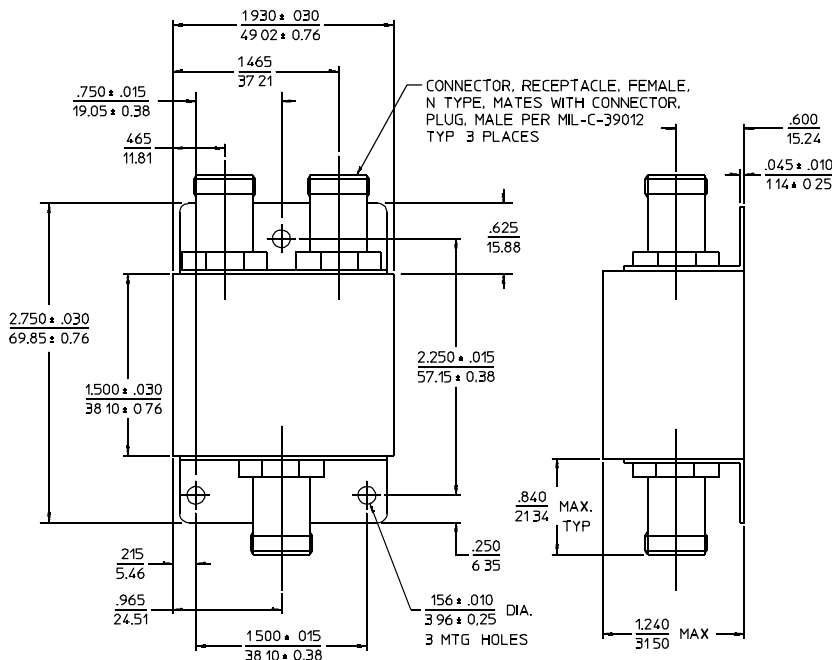
General Notes:

1. The PDHN-20 series of 2-way In-Phase Power Dividers/Combiners covers 10 to 1000 MHz using a high power, lumped element design maintaining high isolation and balance in a convenient size sturdy package. Four-way units designed for higher power are available on special order.

GENERAL SPECIFICATIONS

Coupling: - 3 dB nom.
 Impedance: 50 Ω nom.
 Internal Load Dissipation: 10 W max.
 Weight, nominal: 6 oz. (168 g)
 Operating Temperature: - 55° to +85°C

Package Outline



16Feb96