

Ultra High Precision Z-Foil Surface Mount Power Resistors in TO-220 Configuration with TCR of ± 0.05 ppm/ $^{\circ}$ C, Tolerance to ± 0.01 % and Power Rating to 8 W



Any value at any tolerance available within resistance range

Model VPR220SZ, made from Vishay Bulk Metal[®] Z-Foil, offers very low TCR, high stability, tight tolerance, low PCR and fast response time in a small surface mount molded resistor.

The Z-Foil technology provides a significant reduction of the resistive components sensitivity to ambient temperature variations and applied power changes. Designers now can guarantee a high degree of stability and accuracy in fixed resistor applications using solutions based on Vishay's revolutionary Z-Foil technology.

Our Application Engineering Department is available to advise and make recommendations. For non-standard technical requirements and special applications, please contact us.



RoHS*
COMPLIANT

FEATURES

- Temperature Coefficient of Resistance (TCR): ± 0.05 ppm/ $^{\circ}$ C typical (0 $^{\circ}$ C to + 60 $^{\circ}$ C)
 ± 0.2 ppm/ $^{\circ}$ C typical (- 55 $^{\circ}$ C to + 125 $^{\circ}$ C, - 25 $^{\circ}$ C Ref.)
- Tolerance: to ± 0.01 %
- Power Coefficient of Resistance (PCR) "ΔR due to self heating": 5 ppm at rated power
- Electrostatic Discharge (ESD) above 25 000 V
- Load Life Stability: ± 0.005 % (25 $^{\circ}$ C, 2000 hours at Rated Power)
- Resistance Range: 5 Ω to 10 k Ω
- Power Rating: 8 W chassis mounted (per MIL-PRF-39009)
- Non Inductive, Non Capacitive Design
- Current Noise: < - 40 dB
- Voltage Coefficient: < 0.1 ppm/V
- Non Inductive: < 0.08 μ H
- Non Hot Spot Design
- Thermal EMF: 0.05 μ V/ $^{\circ}$ C typical
- Terminal Finishes Available: Lead (Pb)-free
Tin/Lead Alloy
- For higher performances please contact us

TABLE 1 - SPECIFICATIONS

Load Life Stability at 2000 h	± 0.05 % max ΔR under full rated power at + 25 $^{\circ}$ C
Power Rating at + 25 $^{\circ}$C	8 W or 3 A ¹⁾ on heat sink ²⁾ 1.5 W or 3 A ¹⁾ in free air Further derating not necessary.
Current Noise	< 0.010 μ V (rms)/V of applied voltage (- 40 dB)
High Frequency Operation Rise Time Inductance ³⁾ (L) Capacitance (C)	1 ns 0.1 μ H maximum: 0.03 μ H typical 1.0 pF maximum: 0.5 pF typical
Voltage Coefficient⁴⁾	< 0.1 ppm/V
Operating Temperature Range	- 55 $^{\circ}$ C to + 150 $^{\circ}$ C
Maximum Working Voltage	300 V. Not to exceed power rating.
Thermal EMF⁵⁾	0.15 μ V/ $^{\circ}$ C maximum (lead effect)

Notes

1. Whichever is lower.
 2. Heat sink chassis dimensions and requirements per MIL-PRF-39009:
- | DIMENSION | INCHES | mm |
|-----------|--------|-------|
| L | 6.00 | 152.4 |
| W | 4.00 | 101.6 |
| H | 2.00 | 50.8 |
| T | 0.04 | 1.0 |
3. Inductance (L) due mainly to the leads.
 4. The resolution limit of existing test equipment (within the measurement capability of the equipment, or "essentially zero").
 5. μ V/ $^{\circ}$ C relates to EMF due to lead temperature difference.

TABLE 2 - VPR220SZ

RESISTANCE RANGE (Ω)	TIGHTEST RESISTANCE TOLERANCE	TCR ¹⁾ - 55 $^{\circ}$ C to + 125 $^{\circ}$ C, Ref. + 25 $^{\circ}$ C
50 to 10K	± 0.01 %	± 2.5 ppm/ $^{\circ}$ C
25 to < 50	± 0.02 %	
10 to < 25	± 0.05 %	
5 to < 10	± 0.1 %	

Weight = 1 g Maximum

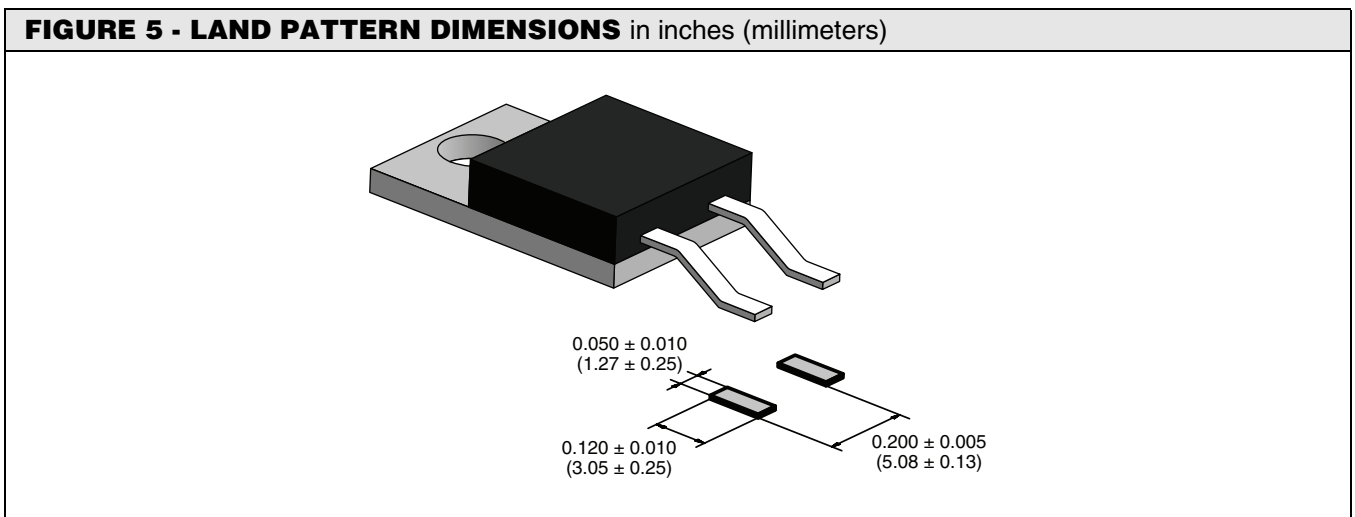
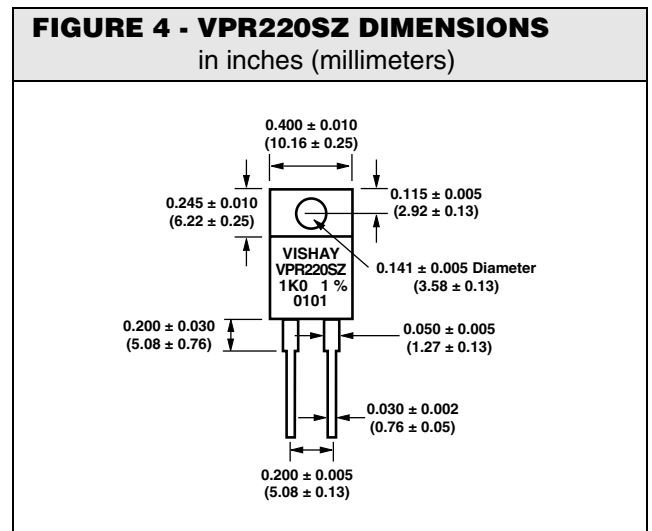
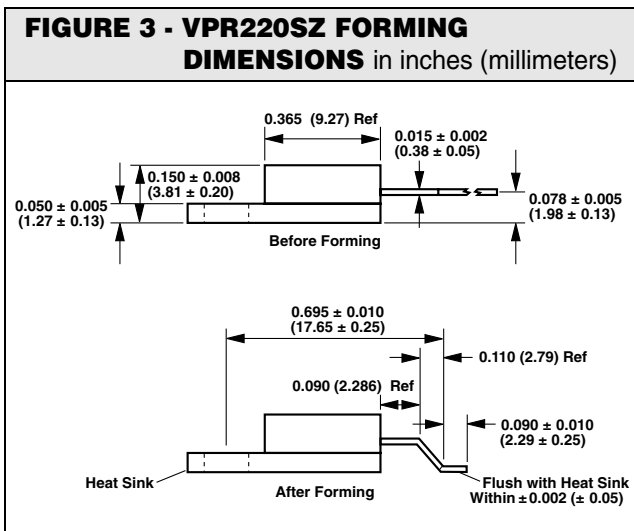
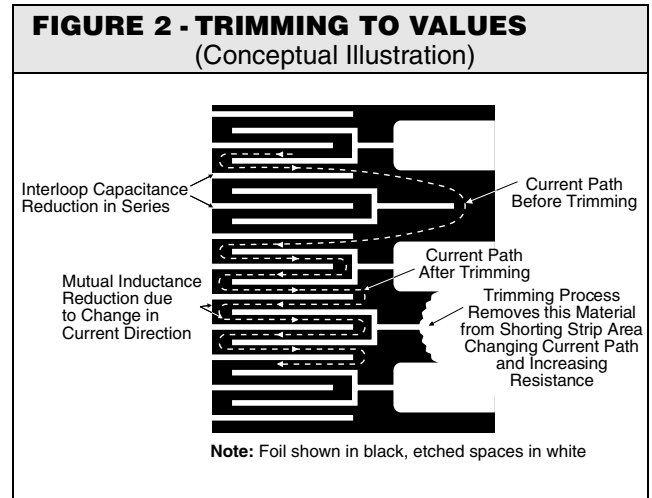
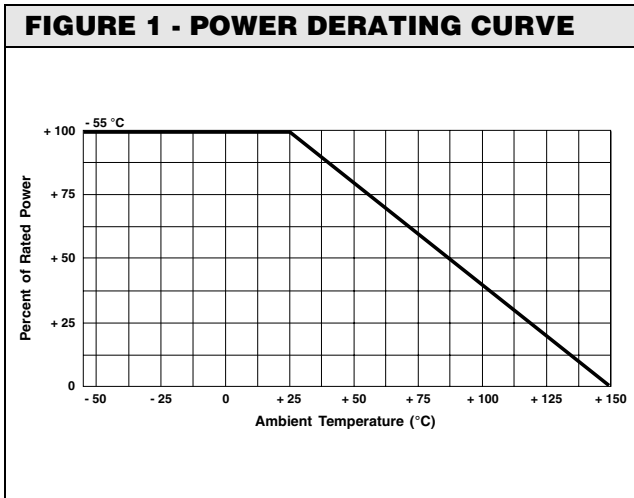
Note

1. Maximum specifications.

* Pb containing terminations are not RoHS compliant, exemptions may apply



Ultra High Precision Z-Foil Surface Mount Power Resistors Vishay Foil Resistors
 in TO-220 Configuration with TCR of $\pm 0.05 \text{ ppm}/^\circ\text{C}$,
 Tolerance to $\pm 0.01 \%$ and Power Rating to 8 W



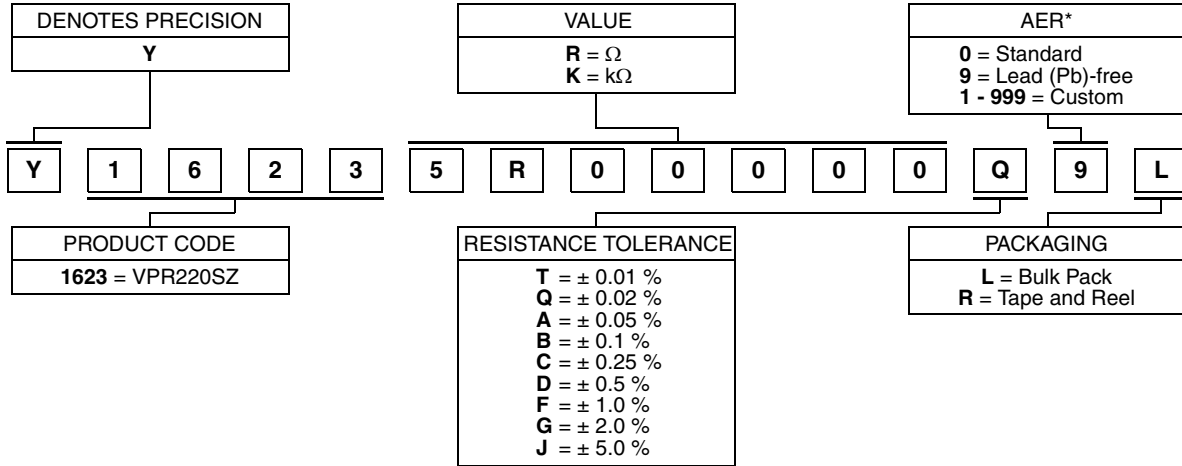
VPR220SZ (Z-Foil)



Vishay Foil Resistors Ultra High Precision Z-Foil Surface Mount Power Resistors
in TO-220 Configuration with TCR of ± 0.05 ppm/ $^{\circ}$ C,
Tolerance to ± 0.01 % and Power Rating to 8 W

TABLE 3 - GLOBAL PART NUMBER INFORMATION

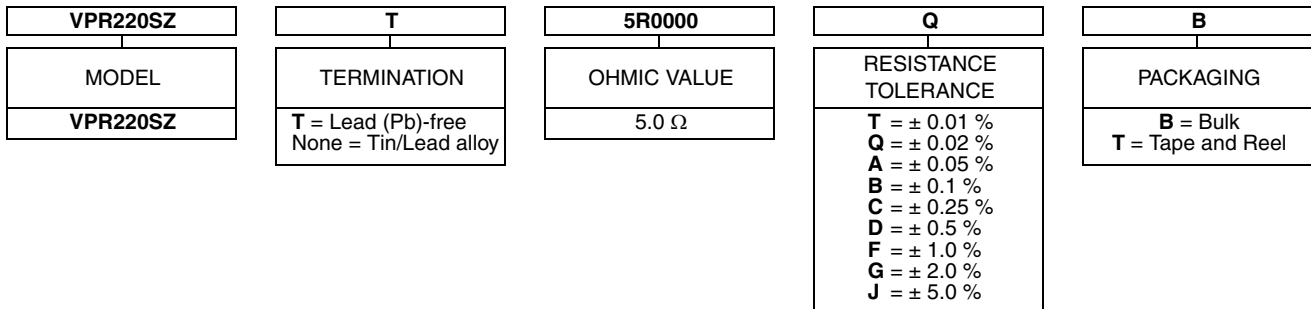
NEW GLOBAL PART NUMBER: Y16235R00000Q9L (preferred part number format)



FOR EXAMPLE: ABOVE GLOBAL ORDER Y1623 5R0000 Q 9 L:

TYPE: VPR220SZ
VALUE: 5.0 Ω
ABSOLUTE TOLERANCE: ± 0.02 %
TERMINATION: Lead (Pb)-free
PACKAGING: Bulk

HISTORICAL PART NUMBER: VPR220SZT 5R0000 Q B (will continue to be used)



Note

* For non-standard requests, please contact Application Engineering.



Disclaimer

All product specifications and data are subject to change without notice.

Vishay Intertechnology, Inc., its affiliates, agents, and employees, and all persons acting on its or their behalf (collectively, "Vishay"), disclaim any and all liability for any errors, inaccuracies or incompleteness contained herein or in any other disclosure relating to any product.

Vishay disclaims any and all liability arising out of the use or application of any product described herein or of any information provided herein to the maximum extent permitted by law. The product specifications do not expand or otherwise modify Vishay's terms and conditions of purchase, including but not limited to the warranty expressed therein, which apply to these products.

No license, express or implied, by estoppel or otherwise, to any intellectual property rights is granted by this document or by any conduct of Vishay.

The products shown herein are not designed for use in medical, life-saving, or life-sustaining applications unless otherwise expressly indicated. Customers using or selling Vishay products not expressly indicated for use in such applications do so entirely at their own risk and agree to fully indemnify Vishay for any damages arising or resulting from such use or sale. Please contact authorized Vishay personnel to obtain written terms and conditions regarding products designed for such applications.

Product names and markings noted herein may be trademarks of their respective owners.