

# Accessories

## Torque supports for hollow shaft encoders

Z 119.024



### Features

- Easy and cost-effective mounting
- For applications with low acceleration

### Mounting description

Push encoder onto drive shaft. Insert torque pin into the torque support provided by customer.

### Part number

Z 119.024 Torque support and spring washer for encoders with 9.5 mm pin

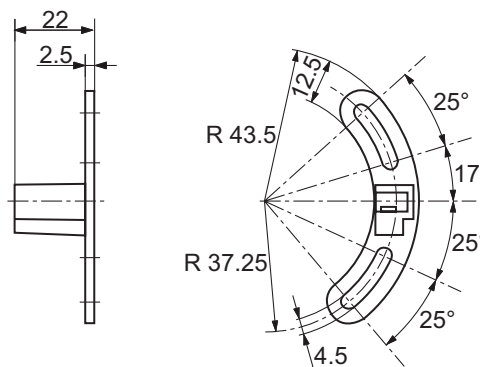
### Scope of delivery

Included: spring coupling, three screws M4 x 10 with spring washer and two lock washers

### Suitable for

GI330, GI331, GI332, GI333,  
G0M2H, G0AMH, G0MMH, G0P5H, GBAMH, GBAMS,  
GBMMH, GBMMS, GBP5H, GCM2S, GCMMS, GXA2S,  
GXM2S, GXMMS, GXP5S

### Dimensions



### Dimension

