

# GOB96024

## Bi-DIRECTIONAL THREE PHASE AC-DC BRIDGE

Fuse protection  
Blown fuse indicators with microswitch  
Over temperature switches  
Fan loss detection circuit  
Snubber for SCR's protections  
Extractible stacks for easy field service

**LINE VOLTAGE UP TO 690V**  
**DC OUTPUT CURRENT 2400A**

### GOB96024

Line to line voltage	690 V
----------------------	-------

Characteristic		Conditions			Value
I <sub>DC</sub>	DC output current				2400 A
V <sub>INS</sub> (rms)	Insulation voltage				3000 V

### THYRISTOR CHARACTERISTICS

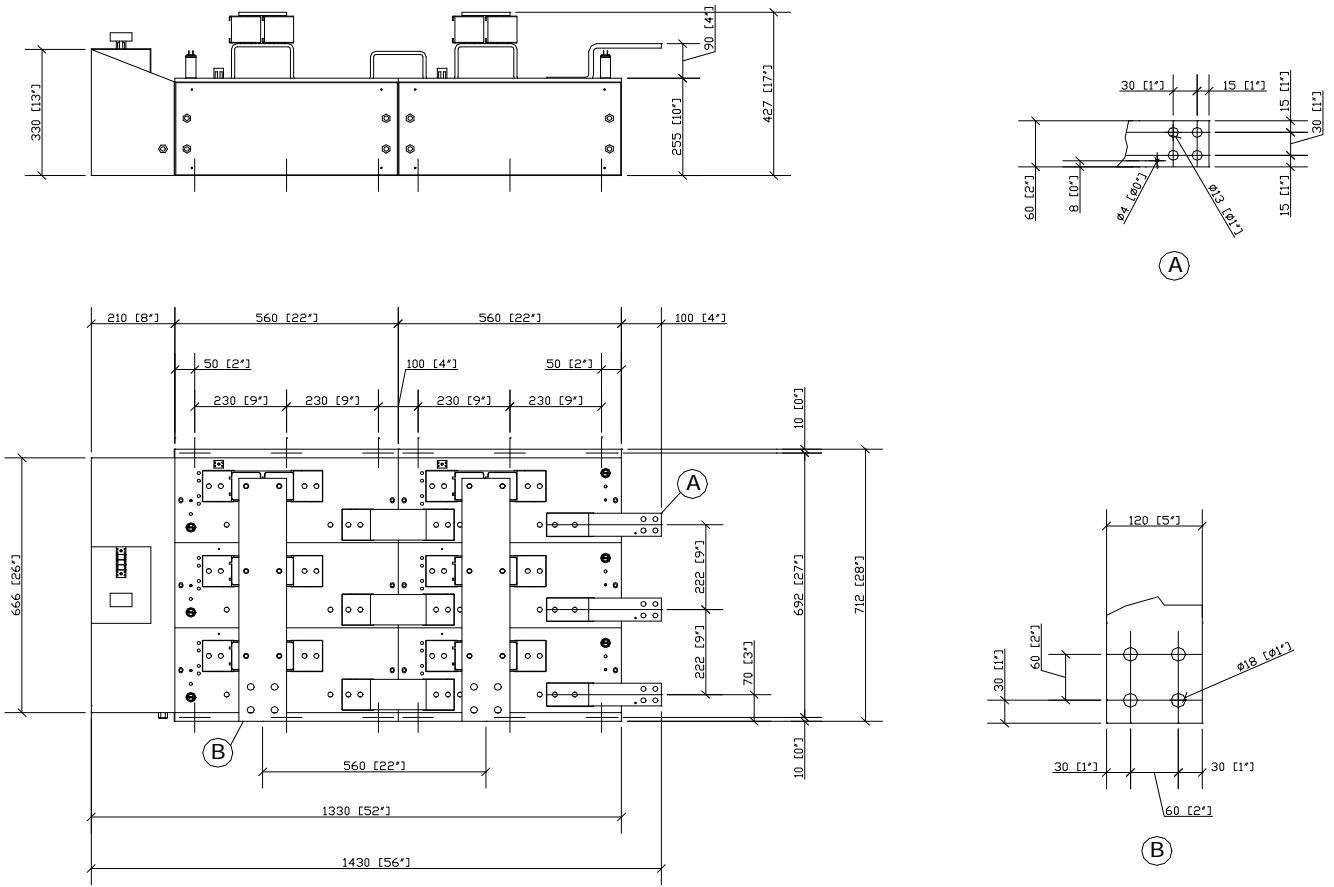
V <sub>GT</sub>	Gate trigger voltage	T <sub>j</sub> = 25 °C, V <sub>D</sub> = 5 V			3 V
I <sub>GT</sub>	Gate trigger current	T <sub>j</sub> = 25 °C, V <sub>D</sub> = 5 V			300 mA
dV/dt	Critical rate of rise off-state voltage	T <sub>j</sub> = 125 °C			1000 V/us
V <sub>RRM</sub>	Blocking Voltage	T <sub>j</sub> = 125 °C			2200 V

### FUSE TYPE 12x 2078132.700

V <sub>NF</sub>	Rated voltage				1250 V
I <sub>NF</sub>	Rated current				700 A
P <sub>VF</sub>	Power loss	At rated current			131 W
I <sup>2</sup> t	Total I <sup>2</sup> t	At 1000V			640 kA <sup>2</sup> s

### MECHANICAL AND THERMAL CHARACTERISTICS

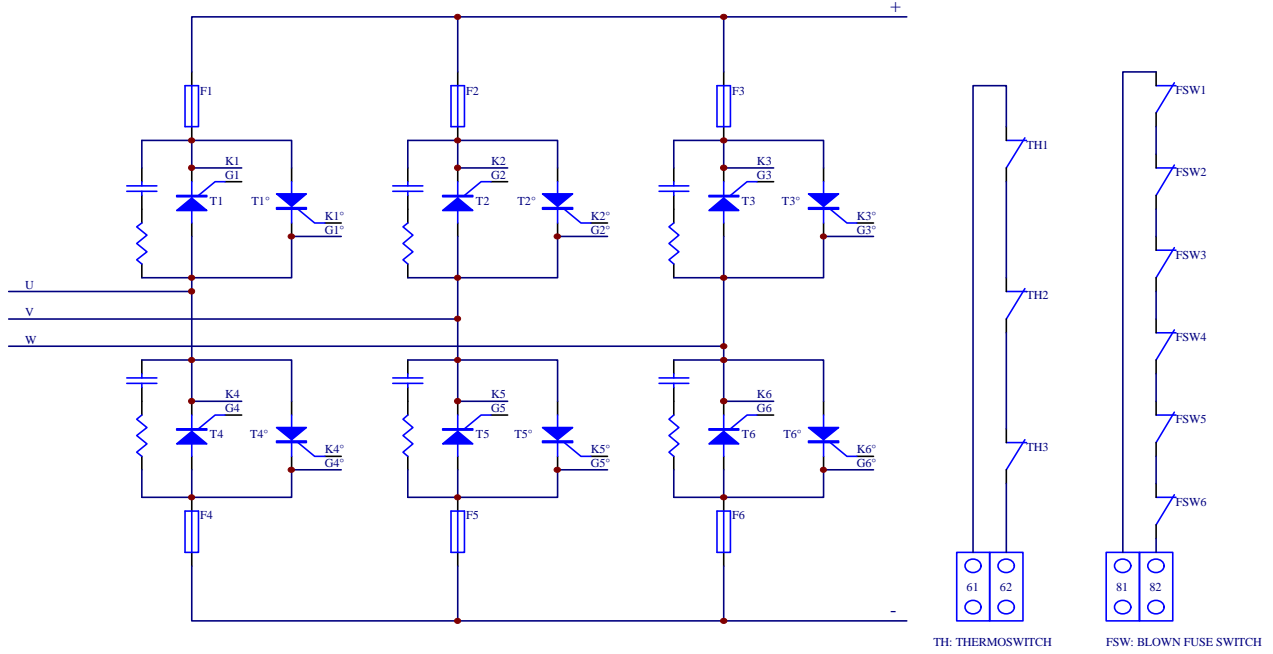
	Width				642 mm
	Depth				427 mm
	Height				1330 mm
	Mass				260 kg
T <sub>a max</sub>	Max amb. op. Temp.				40 °C
T <sub>stg</sub>	Storage temperature				-40/60 °C



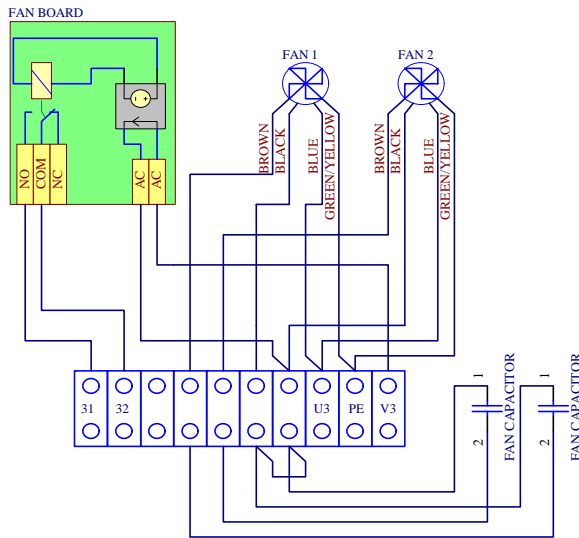
The part numbering system is reported at the beginning of the Open Assembly section.

Customisations are available on request. Please contact factory.

In the interest of product improvement Green Power Solutions reserves the right to change any specification given in this data sheet without notice.



61-62: THERMOSWITCH CIRCUIT CONNECTION  
81-82: BLOWN FUSE SWITCH CIRCUIT CONNECTION



U3-V3: MAIN SUPPLY  
PE: GROUND CONNECTION (GND)  
31-32: FAN BOARD CONTACT (CLOSED WHEN FAN RUNNING)

**Cooling:**

Fan type: single phase axial  
 Number of fans: 2  
 Voltage: 230 V  
 Current: 0.6 A  
 Frequency: 50/60 Hz  
 Noise: 62 dBA

In the interest of product improvement Green Power Solutions reserves the right to change any specification given in this data sheet without notice.