

Description

The MAL-C065R is a striped type light source designed for a variety of applications , mainly used as high mounted stop lamp for automobile.

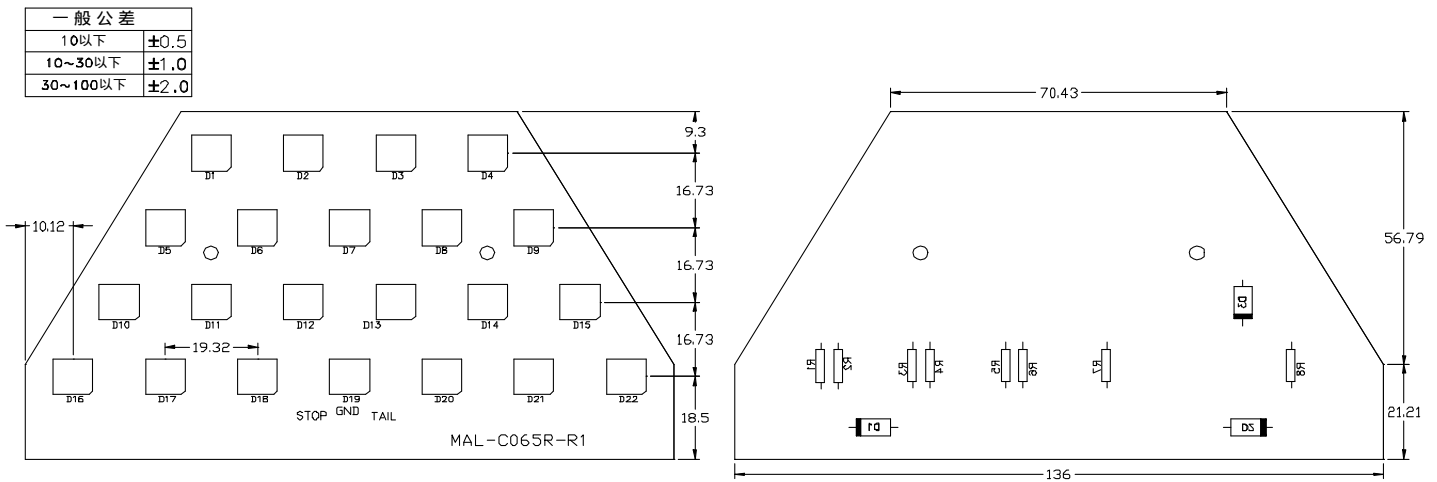
The light device utilize LED chips which are made from Aluminum Indium Gallium Phosphide (AlInGaP) material.

The number of built-in JACK LEDS : 22 pcs of AlInGaP bright red LED.

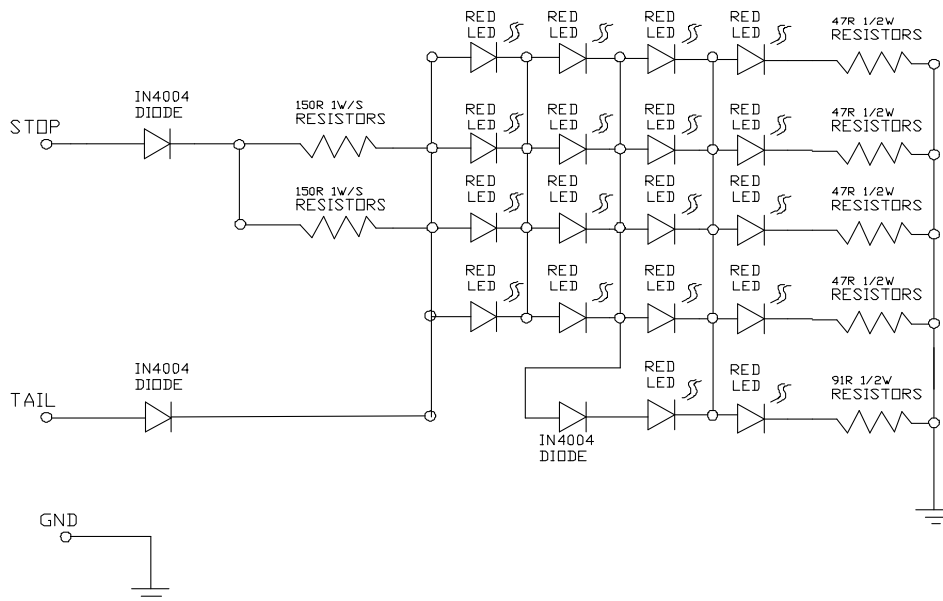
Features

- Wide viewing angle and good reliability.
- Long operation life and low power requirement.
- High luminous intensity.
- High speed response.
- Suitable for multiples operation.

PCB Dimensions



Internal Circuit



Absolute Maximum Ratings at Ta=25°C

Parameter	Symbol	Maximum Rating	Unit
Power Dissipation	P	3.5	W
Continuous Forward Voltage	V _F	12	V
Peak Forward Voltage (@ 1/3 duty cycle, 0.1ms pulse width)	V _p	13.8	V
Continuous Forward Current	I _F	SOTP 260 / TAIL 50	mA
Operating Temperature Range	T _{opr}	-25°C to +60°C	
Storage Temperature Range	T _{sto}	-30°C to +80°C	

Electrical Characteristics at Ta=25°C

Parameter	Symbol	Min.	Typ.	Max.	Unit	Test condition
Luminous Intensity	I _v	25	35	-	cd	12V
Forward Current	I _F	-	250	-	mA	12V
Reverse Current	I _R	-	-	100	μA	12V
Peak Emission Wavelength	λ _d	-	625	-	nm	12V