

SSC3000 Series

Temperature compensated silicon stainless steel pressure sensors

FEATURES

- 0...1 bar to 0...16 bar absolute or gage
- For corrosive pressure media
- Excellent low temperature drift
- All welded stainless steel diaphragm construction
- For hostile environments

SERVICE

Media wetted parts: any liquid or vapor that is compatible with stainless steel 316 (1.4401)



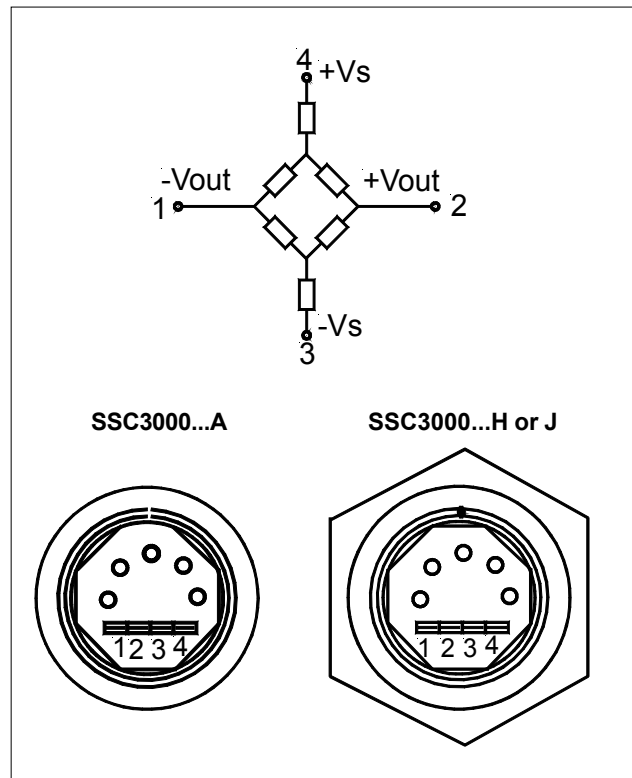
Scale: _____ 1 cm
_____ 1 inch

SPECIFICATIONS

Maximum ratings

Supply current	1.5 mA
Temperature limits	
Storage	-40 to 125°C
Operating	-40 to 125°C
Compensated	0 to 70°C
Vibration (20 to 2000 Hz)	10 g _{RMS}
Mechanical shock (11 ms)	100 g
Proof pressure ¹	
SSC3001...	2 bar
SSC3002...	4 bar
SSC3005...	13 bar
SSC3016...	32 bar

ELECTRICAL CONNECTION



SSC3000 Series

Temperature compensated silicon stainless steel pressure sensors

PERFORMANCE CHARACTERISTICS (unless otherwise noted, $I_s = 1 \text{ mA}$, $t_{amb} = 25^\circ\text{C}$)

Characteristics		Min.	Typ.	Max.	Unit
Operating pressure	SSC3001...			1	bar
	SSC3002...			2	
	SSC3005...			5	
	SSC3016...			16	
Zero pressure offset		-2	± 1	2	mV
Full scale output ²	SSC3001.../SSC3002...	70	100	130	
	SSC3005...	50	70	90	
	SSC3016...	65	95	120	
Non-linearity (BSL) ³			0.1	± 0.25	%FSO
Hysteresis and repeatability			0.01	± 0.05	
Thermal effects (0 to 70°C) ⁴					
Offset			± 0.2	± 1.0	
Full scale output			± 0.2	± 1.0	
Hysteresis			± 0.1	± 0.2	
Input impedance		2.9	4.0	4.8	k Ω
Output impedance		4.0	5.0	6.0	
Long term stability ⁵					%FSO
Offset			± 0.1		
Span			± 0.1		
Power consumption			40		mW

Specification notes (for all devices):

1. Proof pressure is the max. pressure which may be applied without causing damage to the sensing element.
2. Full scale measurement at maximum operating pressure.
3. Non-linearity - the maximum deviation of measured output at constant temperature, from "Best Straight Line" through three points (offset pressure, full scale pressure and half scale pressure).
4. Temperature tested and guaranteed from at 70°C relative to 25°C. All specs. are shown relative to 25°C.
5. Change in output after 1 year.
6. Recommended o-ring 17 x 1 mm #674-70.

ORDERING INFORMATION

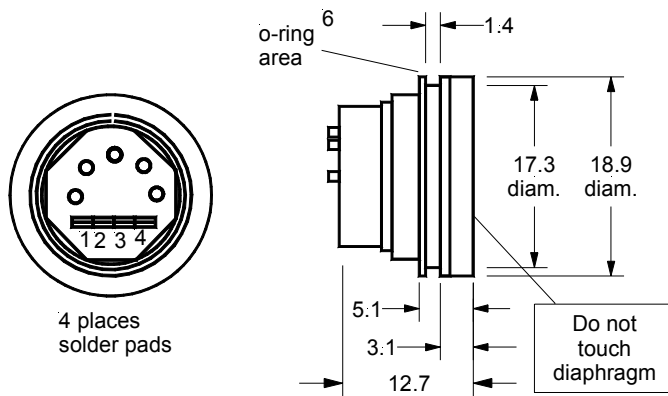
Operating pressure	flush mount	Package version	
		1/4" - 18 NPT thread	1/8" - 27 NPT thread
0 - 1 bar absolute	SSC3001AA	SSC3001AH	SSC3001AJ
0 - 2 bar absolute	SSC3002AA	SSC3002AH	SSC3002AJ
0 - 5 bar absolute	SSC3005AA	SSC3005AH	SSC3005AJ
0 - 16 bar absolute	SSC3016AA	SSC3016AH	SSC3016AJ
0 - 1 bar gage	SSC3001GA	SSC3001GH	SSC3001GJ
0 - 2 bar gage	SSC3002GA	SSC3002GH	SSC3002GJ
0 - 5 bar gage	SSC3005GA	SSC3005GH	SSC3005GJ
0 - 16 bar gage	SSC3016GA	SSC3016GH	SSC3016GJ
O-ring, 17 x 1 mm	SSCAI-SEAL	—	—

SSC3000 Series

Temperature compensated silicon stainless steel pressure sensors

OUTLINE DRAWING

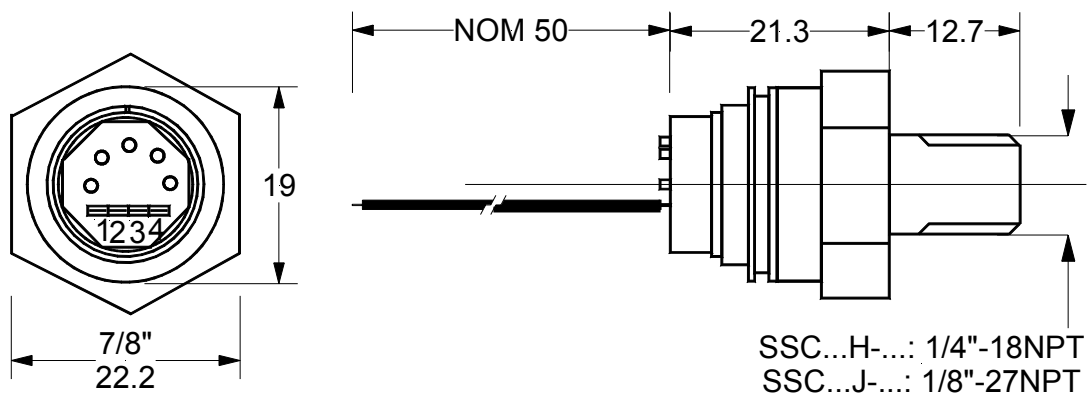
SSC3000...A



mass: 10 g

dimensions in mm

SSC3000...H or J



mass: 45 g

dimensions in mm

Sensortechinics reserves the right to make changes to any products herein. Sensortechinics does not assume any liability arising out of the application or use of any product or circuit described herein, neither does it convey any license under its patent rights nor the rights of others.