

SPECIFICATION FOR APPROVAL

Product Name	Linear Adaptors	Page	1
Superworld Part No:	WH Series	Rev No	A

Features

1. Ergonomic Design
2. Region Specific Models
3. High Quality Control
4. AC/AC , AC/DC unregulated models
5. Type Wall - Mount
6. Electrical Characteristics : AT 25 deg
7. Operation Temperature : 0 deg ~ 40 deg
8. Storage Temperature : - 40 deg ~ 80 deg
9. Power AC~AC 0.3VA to 3.2VA
AC~DC 0.3VA to 3.2VA



Safety

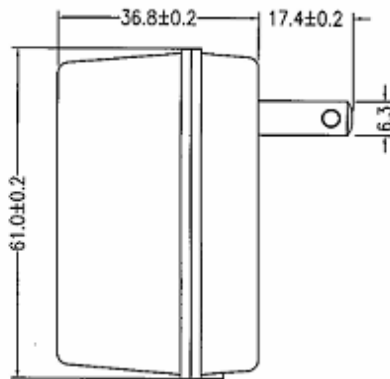
1. regions: Japan - PSE, USA - UL/CUL, TUV/EMC , CE
2. Standards: UL1310, CSA22.2, EN50082 , EN50081 , EN61000

Applications

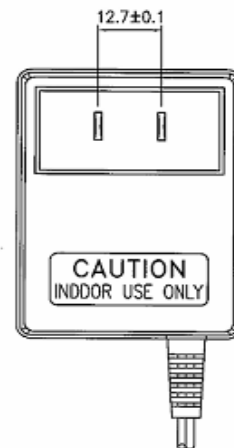
1. Low Energy AC/DC Power Supply .
2. IT Equipment .
3. Chargers .

Input (Region Specific)	
America	120VAC / 60Hz
Europe	230VAC / 50Hz
Australia	220 ~ 240VAC / 50Hz
Japan	100VAC / 50/60Hz
China	220VAC / 50Hz

Dimensions for reference :

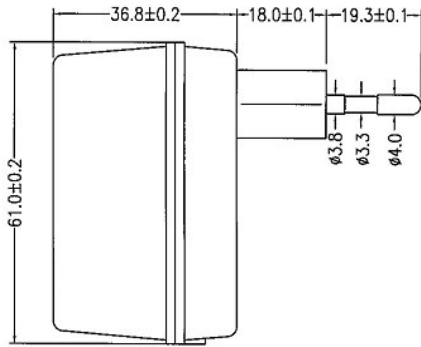


IP-A

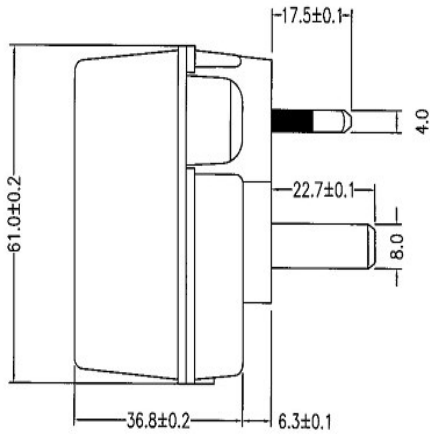
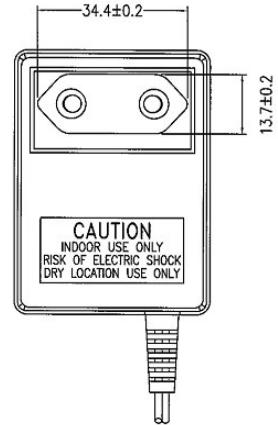


SPECIFICATION FOR APPROVAL

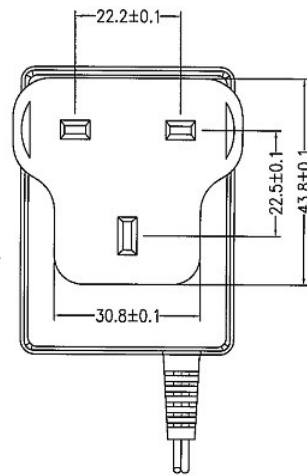
Product Name	Linear Adaptors	Page	2
Superworld Part No:	WH Series	Rev No	A



IP-E



IP-H



SPECIFICATION FOR APPROVAL

Product Name	Linear Adaptors	Page	3
Superworld Part No:	WH Series	Rev No	A

Electrical Characteristics :

MODEL	OUTPUT			SAFETY APPROVAL	
	VOLTAGE (V)	CURRENT (mA)	POWER (VA)	AC	DC
WH030100	3.0	100	0.300	4	4
WH030200		200	0.600	4	4
WH030300		300	0.900	4 A	4
WH030400		400	1.200	4	4
WH030500		500	1.500	4	4
WH030600		600	1.800	4	4
WH030700		700	2.100	4	4
WH030800		800	2.400	4	4
WH045100	4.5	100	0.450	4	4
WH045120		120	0.540	4	4
WH045150		150	0.675	4 A	4
WH045200		200	0.900	4 A	4
WH045300		300	1.350	4 A	4
WH045350		350	1.580	4	4
WH045400		400	1.800	4	4
WH045500		500	2.250	4 A B	4
WH045600	600	2.700	4 A B	4	
WH060100	6.0	100	0.600	4	4
WH060200		200	1.200	A 4	A B 4
WH060250		250	1.500	4	A 4
WH060300		300	1.800	A 4	A B C 4
WH060400		400	2.400	4	4
WH060500		500	3.000	4	4
WH075100	7.5	100	0.750	4	4
WH075200		200	1.500	A 4	A B 4
WH075300		300	2.250	A 4	A B 4
WH075400		400	3.000	4	4
WH090100	9.0	100	0.900	4	4
WH090150		150	1.350	4	A B 4
WH090200		200	1.800	A B 4	A B 4
WH090250		250	2.250	4	4
WH090300	300	2.700	A B 4	A B C 4	
WH120050	12.0	50	0.600	4	A 4
WH120100		100	1.200	4	A B 4
WH120150		150	1.800	4	A 4
WH120200		200	2.400	4	A B 4
WH120250		250	3.000	4	4
WH150100	15.0	100	1.500	4	A B 4
WH150150		150	2.250	4	A B 4
WH160050	16.0	50	0.800	4	4
WH160100		100	1.600	4	4
WH160150		150	2.400	4	4
WH160200		200	3.200	4	4
WH180100	18.0	100	1.800	4	A B 4
WH240050	24.0	50	1.200	4	4
WH240100		100	2.400	4 A	4

UL : A CSA : B CUL : C CE : 4



SUPERWORLD ELECTRONICS (S) PTE LTD