



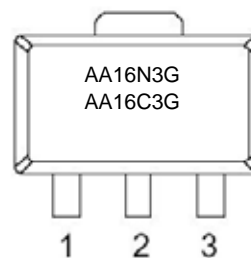
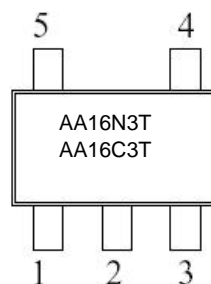
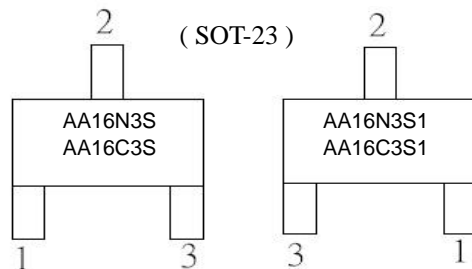
Agamem Mircoelectronics Inc. AA16 Series

PRELIMINARY

Voltage detector with delay

FEATURES

- High accuracy in 5% voltage detection.
- Typical 150mv/200mv hysteresis width between power reset and reset disable detection point for 3.3v and 5v, respectively.
- Low power consumption typical at 1.3uA at Vcc=5v.
- With about 3.5us and 40us delay time at power reset disable and reset procedure.
- Open-Drain output type. (AA16N series)
- Inverter output type. (AA16C series)
- Low temperature coefficient.



APPLICATIONS

- Reset for microprocessor or DSP
- Power failure detector

DESCRIPTION

AA16 Series is a three terminal power reset generator processed in a standard CMOS. It detects a particle fixed voltage at the power up or down procedure to generate a reset signal for initializing the following systems or devices, such as MCU. There is a typical 150/200mv hysteresis range for different 3.3v/5v system to prevent the system from crashing during power supply fluctuation.

AA16 Series consists of a reference voltage generator, a comparator with hysteresis function and an 'open-drain' type (AA16N series) or 'Inverter' type (AA16C series) output driver. The Volt level of output is flexible to the various application power systems. Low power consumption, typical at 1uA and maximum is lower than 2uA.



PRELIMINARY

Voltage detector with delay

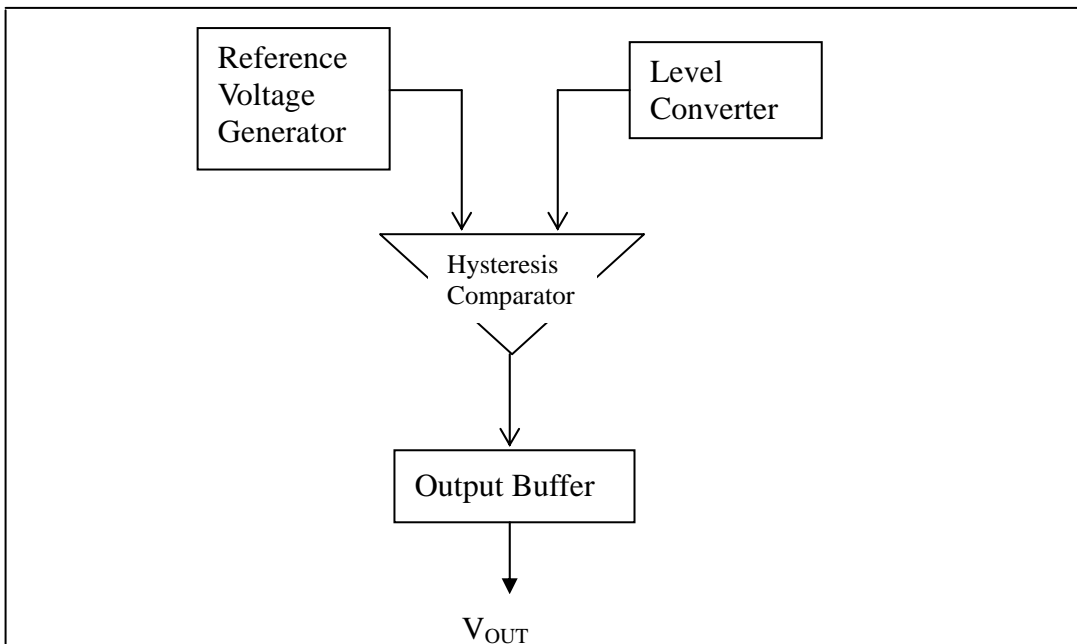
■ **SOT-23、SOT-89 PIN DESCRIPTION**

Symbol	Pin-No	Type	Function
Vout	1	O	Power Reset signal output. It's an Open –Drain or Inverter output type. Its output state level like below Reset : Low ; Reset disable : High Impedance
Vcc	2		Supply Power
GND	3		Ground

■ **SOT-25 PIN DESCRIPTION**

Symbol	Pin-No	Type	Function
Nc	1	O	Not Connect
Sub	2		substrate
GND	3		Ground
Vout	4		Power Reset signal output. It's an Open –Drain or Inverter output type. Its output state level like below Reset : Low ; Reset disable : High Impedance
Vcc	5		Supply Power

■ **BLOCK DIAGRAM**





Agamem Mircoelectronics Inc. AA16 Series

PRELIMINARY

Voltage detector with delay

■ **ELECTRICAL CHARACTERISTICS**

ABSOLUTE MAXIMUM RATINGS (See NOTE)

Parameter	Symbol	Rating			UNIT	CONDITION
		MIN	TYP	MAX		
Supply Volatage	V _{CC}	-0.3		7	V	
Output Volatage	V _{OUT}	-0.3		V _{CC} +0.3	V	T _a = +25°C ; GND = 0V
Operating Ambient Temperature	T _a	-20		70	°C	
Storage Temperature	T _s	-55		125	°C	

NOTE: Stress above those listed under “Absolute Maximum Rating” may cause the device permanent damage. This is a stress rating only factor and functional operation of the device at these or any other conditions above those indicated in the operational section of this specification is not implied. Exposure to absolute maximum rating conditions for an extending period of time may affect the reliability of the device.

RECOMMENDED OPERATING CONDITIONS

T_a = 25°C

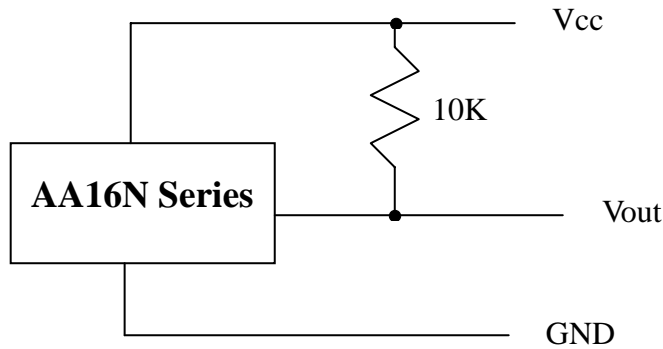
Parameter	Symbol	Value			Unit	Condition
		Min	Typ	Max		
Power Supply	V _{CC}	1.5*		6	V	
Supply Current	I _{CC} (3.3V)		1.3	2	uA	V _{CC} =5V Rload=10K
	I _{CC} (5V)		1	2	uA	
Reset Voltage	V _{RS} (3.3V)	2.8		3.1	V	Fig-1; Fig-3
	V _{RS} (5V)	4		4.3	V	
Hysteresis Width	V _{HS} (3.3V)	90		210	mV	Fig-2
	V _{HS} (5V)	130		270	mV	
Output Low	V _{OL}			0.2	V	I _{OL} =0.7mA ; V _{CC} =1.8V
Reset disable Time	T _{RSD}		3.5		uS	RL=100K, CL=100P;
Reset Time	T _{RS} (3.3v)		44		uS	Measured Voltage = 1.5V Fig-1; Fig-3
	T _{RS} (5v)		40		uS	

* Output can't be described because the system isn't stable when the supply voltage V_{CC} is less than 1.5V

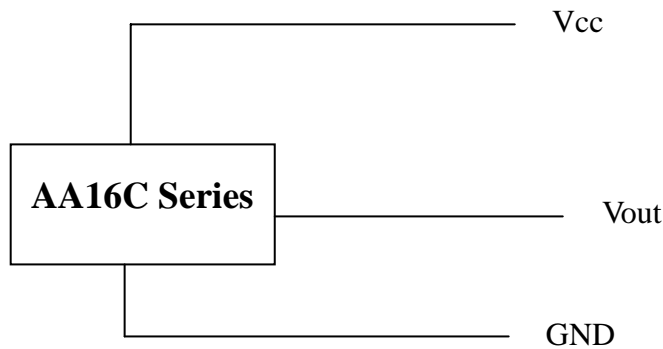


PRELIMINARY **Voltage detector with delay**

■ **SUPPLY CURRENT MEASUREMENT CHART**



* Vout is an 'Open-Drain' output type. A resistance between it and Vcc is necessary to pick it up.

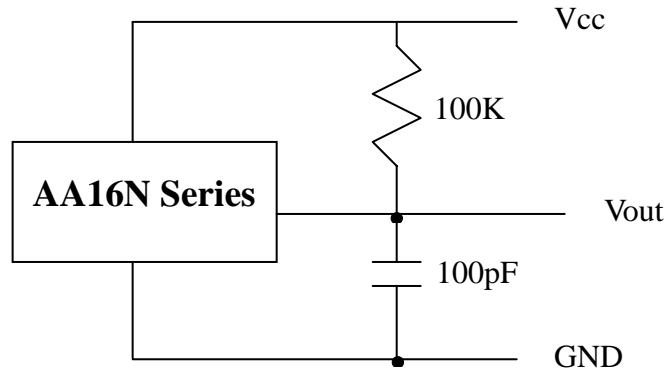


* Vout is an 'Inverter' output type. No resistance between it and Vcc.

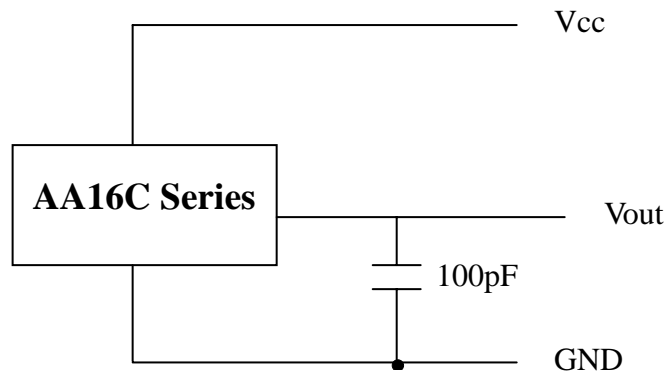


PRELIMINARY **Voltage detector with delay**

■ **OUTPUT CHARACTERISTIC TESTING CONDITION**



* Vout is an 'Open-Drain' output type. A resistance between it and Vcc is necessary to pick it up.

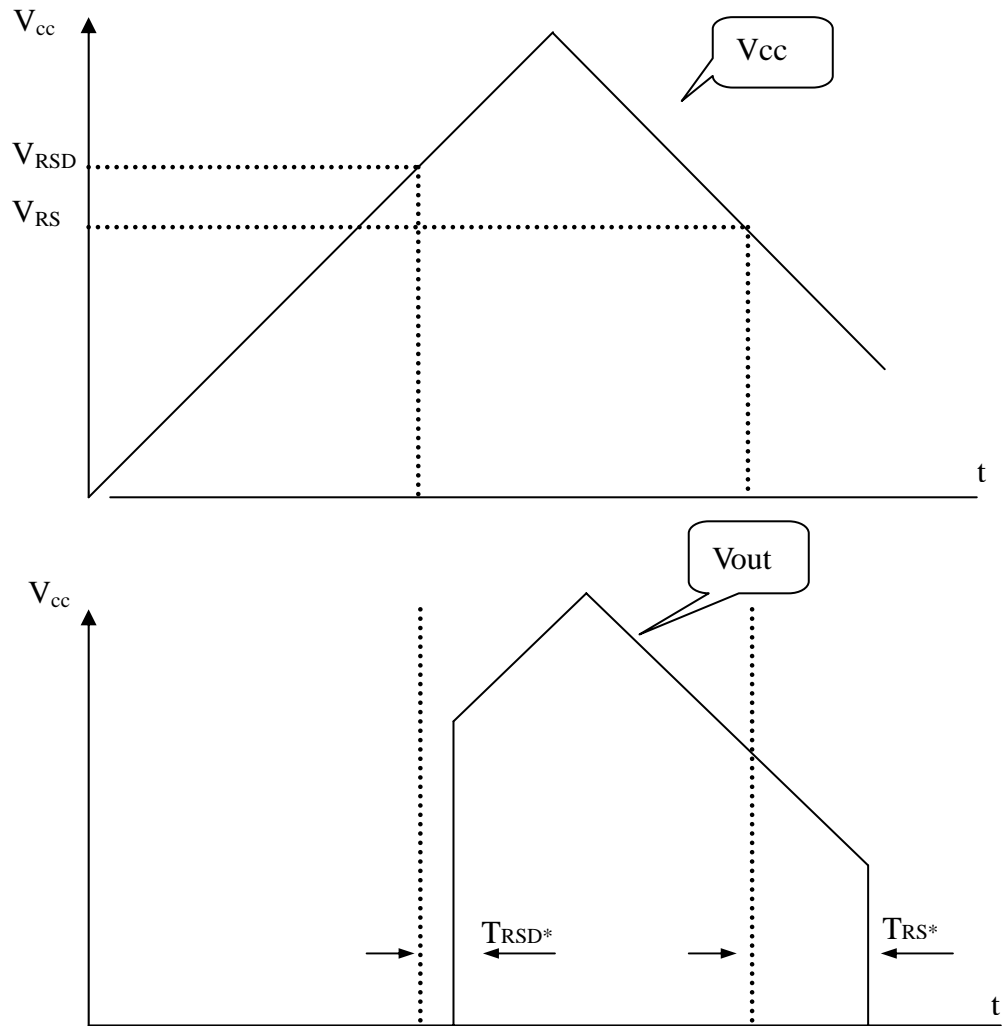


* Vout is an 'Inverter' output type. No resistance between it and Vcc.



PRELIMINARY **Voltage detector with delay**

Fig-1 : Reset & Reset Disable Transfer Point



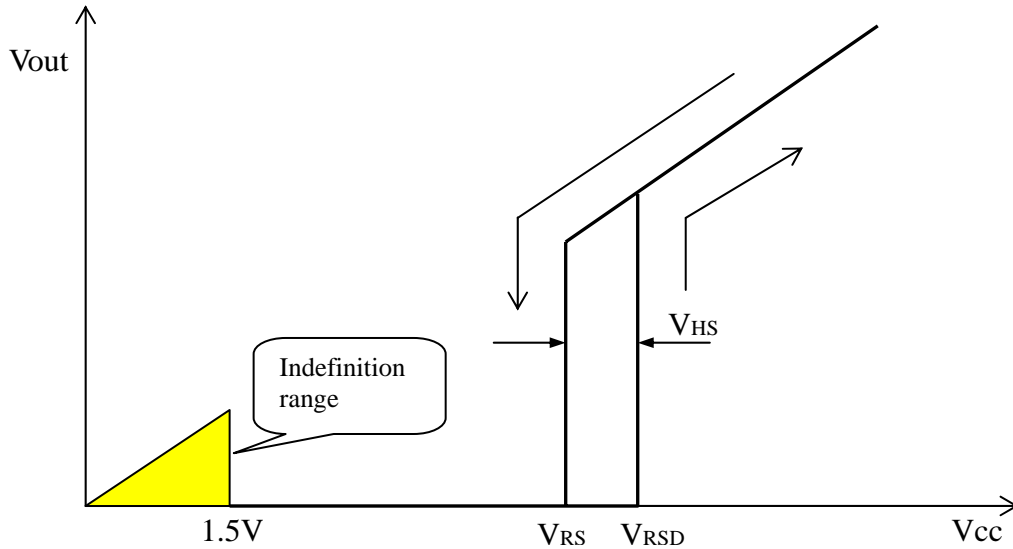
* V_{RSD} , reset disable voltage, is the detected output point when V_{cc} is increasing. V_{RS} , reset voltage, is the detected output point when V_{cc} is decreasing. T_{RSD} and T_{RS} is the corresponding delay time between the V_{RSD} and V_{RS} to the rising edge and falling edge of V_{out} .

** After V_{out} is settled, its rising and falling slope should be equal to the slope of V_{cc} because there is only a resistance between V_{cc} and V_{out} . The maximum value of V_{out} is equal to the one of V_{cc} , too.



PRELIMINARY **Voltage detector with delay**

Fig-2 : Hysteresis Chart



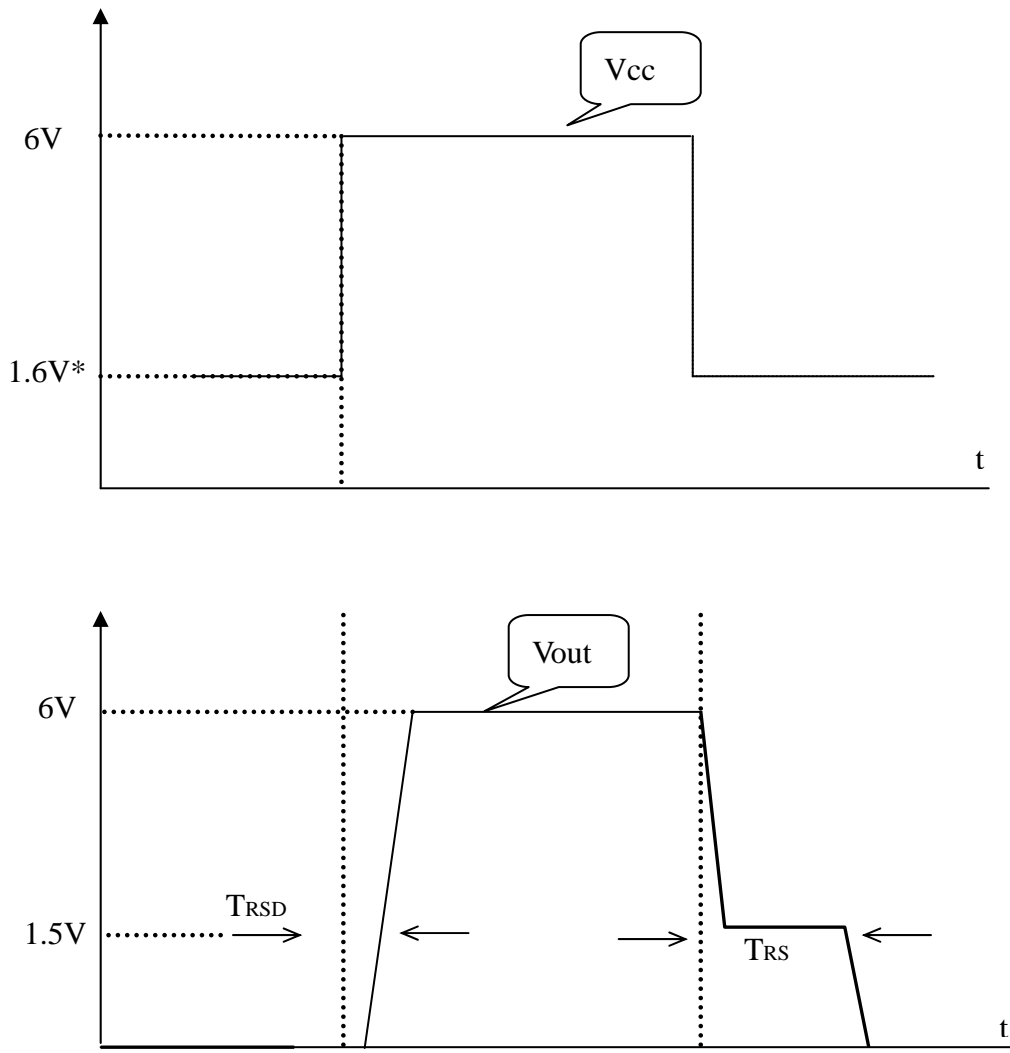
* Output can't be described correctly because the system isn't stable when the supply voltage V_{cc} is less than 1.5V

** In the V_{cc} increasing procedure, V_{out} equal to V_{cc} as V_{cc} is larger than V_{RSD} . In the V_{cc} decreasing procedure, V_{out} won't be change to V_{cc} until V_{cc} is smaller than V_{RS} . The width between V_{RS} and V_{RSD} is so called 'Hysteresis range'



PRELIMINARY **Voltage detector with delay**

Fig-3 : Output Delay Timing Chart



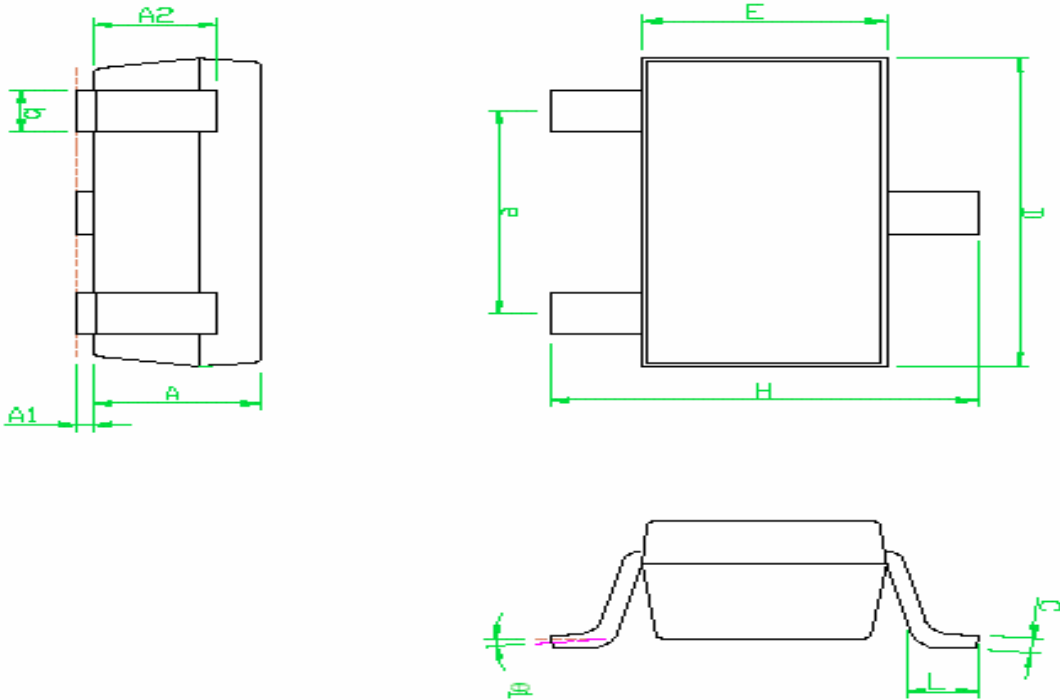
* There existing an output identification range as V_{cc} is less than $1.5V$ so under the testing condition this area should be keep off.



PRELIMINARY

Voltage detector with delay

■ **SOT-23 OUTLINE DRAWING**



SYMBOLS	DIMENSIONS IN MILLIMETERS		
	MIN	NOM	MAX
A	1.00	1.10	1.30
A1	0.00	---	0.10
A2	0.70	0.80	0.90
b	0.35	0.40	0.50
C	0.10	0.15	0.25
D	2.70	2.90	3.10
E	1.40	1.60	1.80
e	---	1.90(TYP)	---
H	2.60	2.80	3.00
L	0.37	---	---
$\theta 1$	1	5	9

NOTES:

1. Package body sizes exclude mold flash protrusions or gate burrs
2. Tolerance ± 0.1000 mm (4 mil) unless otherwise specified
3. Coplanarity: 0.1000 mm
4. Dimension l is measured in gage plane

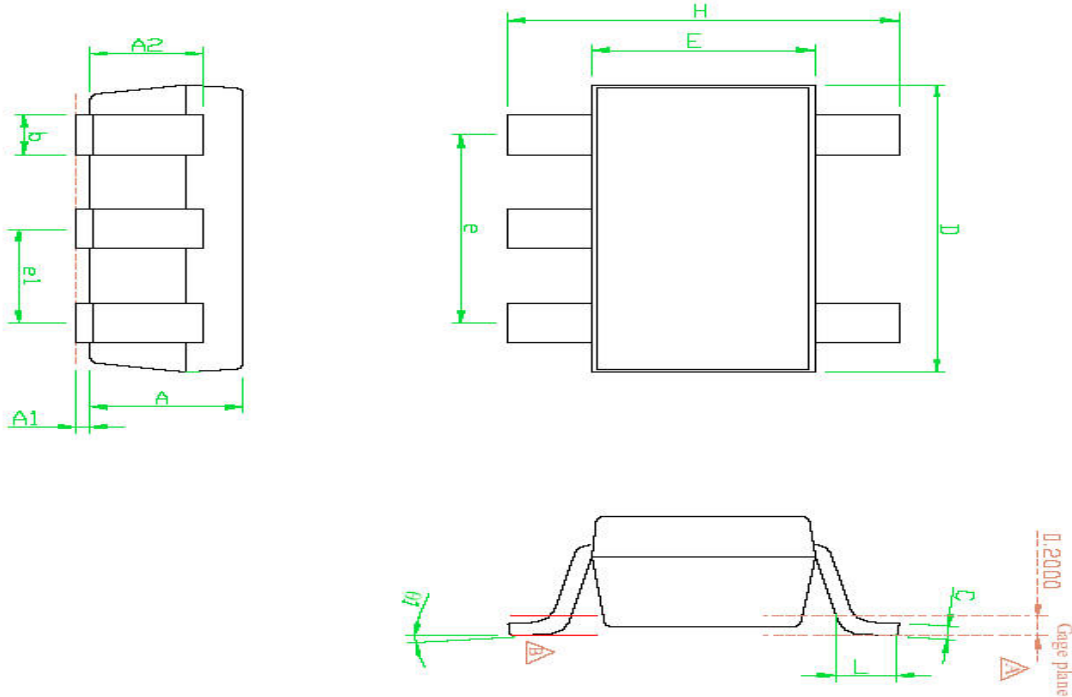


Agamem Microelectronics Inc. AA16 Series

PRELIMINARY

Voltage detector with delay

■ **SOT-25 OUTLINE DRAWING**



SYMBOLS	DIMENSIONS IN MILLIMETERS		
	MIN	NOM	MAX
A	1.00	1.10	1.30
A1	0.00	---	0.10
A2	0.70	0.80	0.90
b	0.35	0.40	0.50
C	0.10	0.15	0.25
D	2.70	2.90	3.10
E	1.50	1.60	1.80
e	---	1.90(TYP)	---
H	2.60	2.80	3.00
L	0.37	---	---
$\theta 1$	1°	5°	9°
e 1	---	0.95(TYP)	---

NOTES:

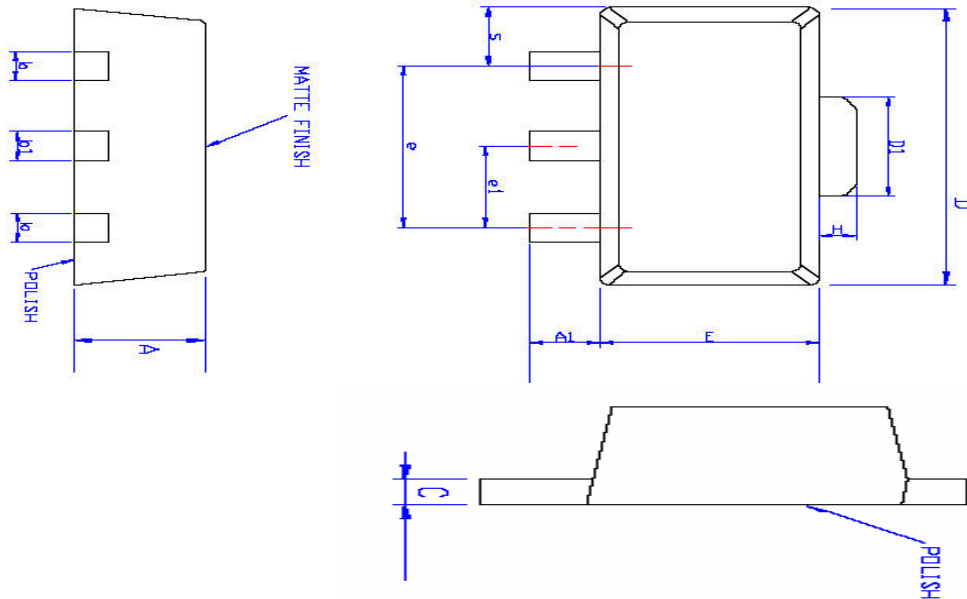
1. Package body sizes exclude mold flash protrusions or gate burrs
2. Tolerance ± 0.1000 mm (4 mil) unless otherwise specified
3. Coplanarity: 0.1000 mm
4. Dimension l is measured in gage plane



PRELIMINARY

Voltage detector with delay

■ **SOT-89 OUTLINE DRAWING**



SYMBOL S	DIMENSIONS IN MILLIMETERS			DIMENSIONS IN INCHES		
	MIN	NOM	MAX	MIN	NOM	MAX
A	1.40	1.50	1.60	0.055	0.059	0.063
A1	0.80	1.04	---	0.031	0.041	---
b	0.36	0.42	0.48	0.014	0.016	0.018
b1	0.41	0.47	0.53	0.016	0.018	0.020
C	0.38	0.40	0.43	0.014	0.015	0.017
D	4.40	4.50	4.60	0.173	0.177	0.181
D1	1.40	1.60	1.75	0.055	0.062	0.069
HE	---	---	4.25	---	---	0.167
E	2.40	2.50	2.60	0.094	0.098	0.102
e	2.90	3.00	3.10	0.114	0.118	0.122
H	0.35	0.40	0.45	0.014	0.016	0.018
S	0.65	0.75	0.85	0.026	0.030	0.034
e1	1.40	1.50	1.60	0.054	0.059	0.063

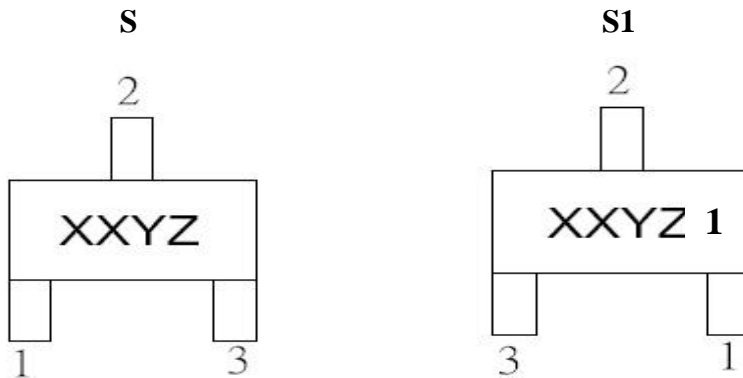
NOTES:

1. Package body sizes exclude mold flash protrusions or gate burrs
2. Tolerance ± 0.1000 mm (4 mil) unless otherwise specified
3. Coplanarity: 0.1000 mm
4. Dimension l is measured in gage plane



■ **ORDERING INFORMATION**

Note: For there being two kinds of pin assignment in SOT-23 package, we mark S and S1 to distinguish.



AA16 X Y Z

DESIGNATOR	DESCRIPTION
X	Output Configuration C=Inverter output N=N-ch open drain output
Y	Operation Voltage 3=3.3V 5=5.0V
Z	Package Type for 3.3V and 5V S/S1=SOT-23 T=SOT-25 G=SOT-89
<p>Ex : AA16N3S(S1、T、G)</p> <p>Package 3.3V Operation Voltage N-ch open drain output</p>	