

10/100 Base-T Magnetics Modules (RoHS Compliant) CPCM681686

1. FEATURES

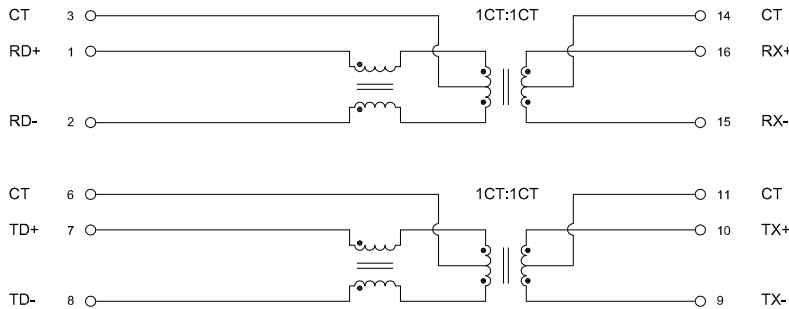
1. Designed for long haul Gigabit Ethernet 100 Base-T, Full Duplex applications
2. Supports Category 5 UTP cable
3. Low Common Mode Emissions
4. Compliant with IEEE 802.3ab Standard for 100 Base-T
5. Operating Temperature range : 0°C to +70°C
6. Storage Temperature range : -25°C to +125°C

2. ELECTRICAL SPECIFICATIONS (AT 25°C)

OCL: 350uH @ 100KHz, 100mV/8mA DC bias

Turns Ratio	Insertion Loss (dB Max.)	Return Loss 100Ω±15Ω (dB Min.)			Cross Talk (dB Min.)			C.M.R. (dB Min.)			Hi-Pot (Vrms)
		1-30 MHz	60 MHz	80 MHz	30 MHz	62 MHz	100 MHz	30 MHz	50 MHz	150 MHz	
TD1/2	0.3-100 MHz	1-30 MHz	60 MHz	80 MHz	30 MHz	62 MHz	100 MHz	30 MHz	50 MHz	150 MHz	60Hz/1min
1CT:1CT	-0.9	-16.0	-12.0	-11.0	-50.0	-45.0	-40.0	-35.0	-33.0	-20.0	1500

3. SCHEMATIC :



RoHS Compliant

NOTE : Specifications subject to change without notice. Please check our website for latest information.

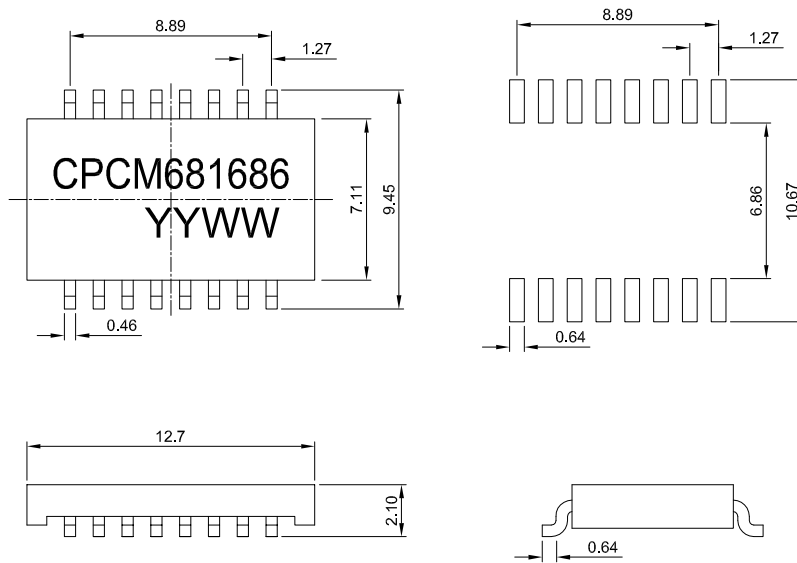
01.12.2008



SUPERWORLD ELECTRONICS (S) PTE LTD

10/100 Base-T Magnetics Modules (RoHS Compliant) *CPCM681686*

4. MECHANICAL DIMENSIONS : (mm)



Dimension Tolerances:

x.x = ± 0.3

x.xx = ± 0.25

NOTE : Specifications subject to change without notice. Please check our website for latest information.



RoHS Compliant



SUPERWORLD ELECTRONICS (S) PTE LTD

01.12.2008

PG. 2