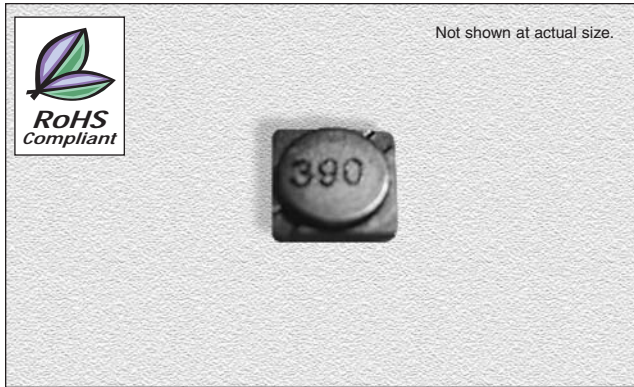


CTCDRH3D12F Series

From 1.0 μH to 39 μH



CHARACTERISTICS

Description: SMD (shielded) power inductor

Applications: Power supplies for VTR, OA equipment, LCD televisions, PC notebooks, portable communication equipment, DC/DC converters, etc.

Operating Temperature: -30°C to +100°C

Inductance Tolerance: $\pm 30\%$

Testing: Tested on a HP4284A at 10kHz

Packaging: Tape & Reel

Marking: Parts are marked with inductance code

Miscellaneous: **RoHS Compliant available**

Additional Information: Additional electrical & physical information available upon request

Samples available. See website for ordering information.

SPECIFICATIONS

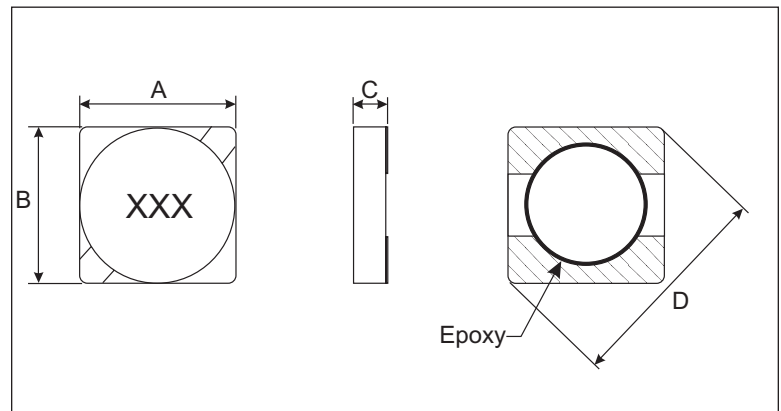
Parts are available in $\pm 30\%$ inductance tolerance only.

Part Number	Inductance $\pm 30\%$ (μH)	L Test Freq. (kHz)	DCR $\pm 30\%$ (m Ω)	*Rated DC Current (A)
CTCDRH3D12F-1R0N	1.0	10	40.1	1.54
CTCDRH3D12F-1R5N	1.5	10	63.5	1.32
CTCDRH3D12F-2R2N	2.2	10	83.5	1.12
CTCDRH3D12F-3R3N	3.3	10	122	0.90
CTCDRH3D12F-4R7N	4.7	10	172	0.72
CTCDRH3D12F-5R6N	5.6	10	191	0.66
CTCDRH3D12F-6R8N	6.8	10	218	0.60
CTCDRH3D12F-8R2N	8.2	10	255	0.57
CTCDRH3D12F-100N	10	10	408	0.49
CTCDRH3D12F-120N	12	10	462	0.47
CTCDRH3D12F-150N	15	10	502	0.41
CTCDRH3D12F-180N	18	10	573	0.37
CTCDRH3D12F-220N	22	10	801	0.34
CTCDRH3D12F-270N	27	10	1207	0.30
CTCDRH3D12F-330N	33	10	1358	0.28
CTCDRH3D12F-390N	39	10	1911	0.23

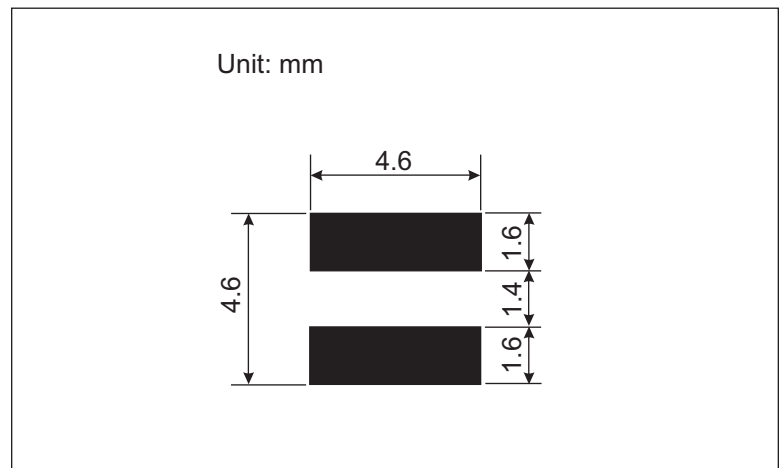
*The rated current indicates the current when the inductance decreases to 30% over its nominal value or the generation of heat becomes 30% near value by the rising one above another of the direct current.

PHYSICAL DIMENSIONS

Size	A	B	C Max.	D Max.
mm	3.9 \pm 0.2	3.9 \pm 0.2	1.2	6.2
inches	0.15 \pm 0.008	0.15 \pm 0.008	0.047	0.244



PAD LAYOUT



01.15.08