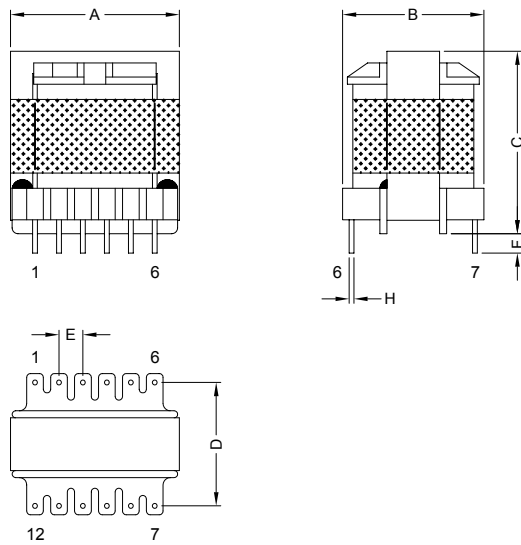


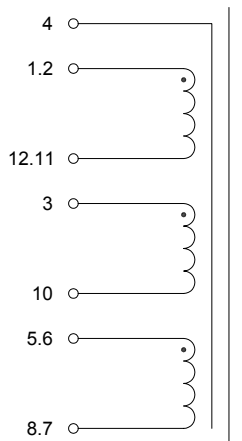
1. CONFIGURATION & DIMENSIONS :



Unit:m/m

A	B	C	D	E	F	H
42.00 Max.	30.00 Max.	50.00 Max.	25.50±0.30	5.00±0.30	4.00±0.50	Ø1.00 Ref.

2. SCHEMATIC :



NOTE : Specifications subject to change without notice. Please check our website for latest information.



RoHS Compliant

26.06.2008



SUPERWORLD ELECTRONICS (S) PTE LTD

3. SCHEMATIC :

- a) Bobbin : Phenolic
- b) Core : ETD34
- c) Wire : Polyurethane DD (1UEW)
- d) Tape : Polyester Film
- e) Varnish : Synthite AC-43
- f) Epoxy : 9001A/B
- g) Copper Foil : 6mil
- h) Teflon Tube : Cat No.: TEF TW-300

4. GENERAL SPECIFICATION :

- a) Operating Temperature Range : -25°C to +105°C
- b) Insulation Class : B (130°C)

5. ELECTRICAL CHARACTERISTICS :

Part No.	Inductance (L)	Conditions	Test Frequency	DCR @ 25°C
ETDD4VTF-50381	L : (1.2-12.11) = 35uH±10%	-	130KHz 0.1V	(1.2-12.11) = 17.5mΩ Max.
	L : (5.6-8.7) = 35uH±10%	-	130KHz 0.1V	(3-10) = 60mΩ Max.
				(5.6-8.7) = 24mΩ Max.



RoHS Compliant

NOTE : Specifications subject to change without notice. Please check our website for latest information.

26.06.2008



SUPERWORLD ELECTRONICS (S) PTE LTD