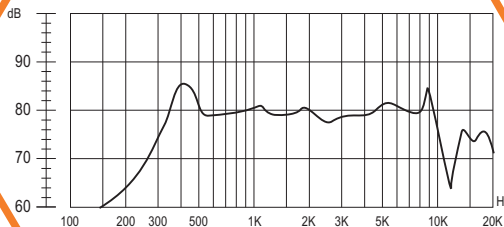
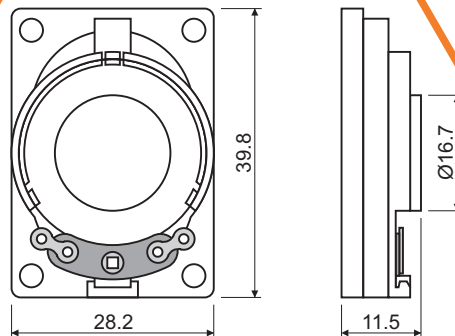


# SoniCrest SPEAKER SOUND GENERATORS

## HSP3040A



### Dimension

Unit : mm  
Tolerance :  $\pm 0.3$ mm

### Frequency Response

Normalized to 1W Input Power and  
1m Measuring Distance

- **Specification** (all data taken at 25°C unless otherwise specified)

Coil Impedance ( $\Omega$ )	Rated Power (W)	Maximum Input Power (W)	Resonance Frequency (Hz)	★Frequency Range (Hz)	★Sound Output at 1kHz (dB)	Operating Temperature (°C)	Storage Temperature (°C)
8 $\pm$ 15%	1	2	500 $\pm$ 20%	500 ~ 10000	78 $\pm$ 3	-10 ~ +40	-10 ~ +40

### HSP3040A-8

The specification are only for 8 $\Omega$  version. Specification for other impedance is available upon request.  
★Value normalized to 1W input power and 1m measuring distance.