

Distinctive Characteristics

Three methods of panel mounting: flat frame for flush with face or subpanel, snap-in, and PCB.

High insulating barriers increase isolation of circuits in multipole devices and provide added protection to contact points.

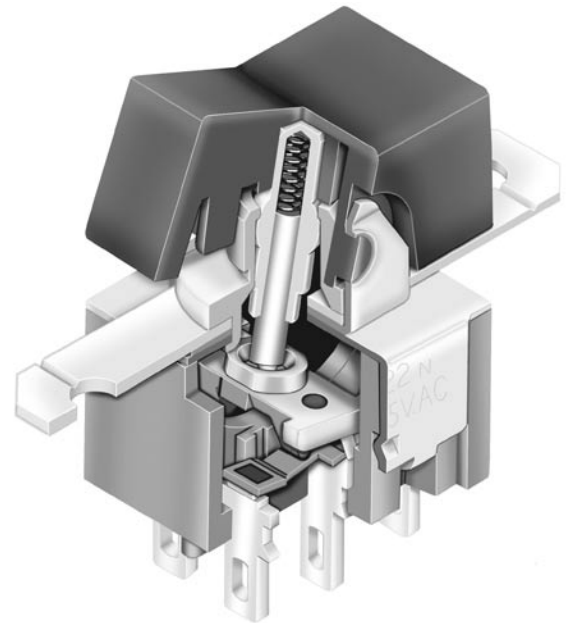
The molded diallyl phthalate case has a UL 94V-0 flammability rating.

Epoxy sealed terminals prevent entry of solder flux and other contaminants.

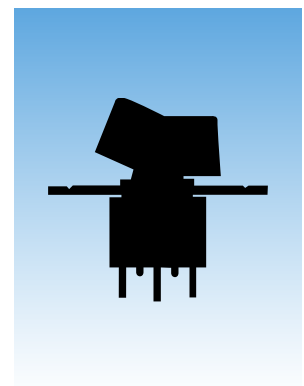
Prominent external insulating barriers increase insulation resistance and dielectric strength.

Bias guard prevents misalignment of contacts; interlocking of actuator block with rocker and internal guide does not allow transmission of diagonal force on rocker to reach contact mechanism.

Clinching of the frame to the case well above the base and terminals provides 1,500V dielectric strength.



Actual Size



General Specifications

Electrical Capacity (Resistive Load)

Power Level (code W):	6A @ 125V AC & 3A @ 250V AC 4A @ 30V DC for On-None-On; 3A @ 30V DC for all other circuits
Logic Level (code G):	0.4VA maximum @ 28V AC/DC maximum (Applicable Range 0.1mA ~ 0.1A @ 20mV ~ 28V)
Logic/Power Level (code A):	Combines W & G ratings Note: Find additional explanation of dual rating & operating range in Supplement section.

Other Ratings

Contact Resistance:	10 milliohms maximum for silver; 20 milliohms maximum for gold
Insulation Resistance:	1,000 megohms minimum @ 500V DC
Dielectric Strength:	1,000V AC minimum between contacts for 1 minute minimum; 1,500V AC minimum between contacts and case for 1 minute minimum
Mechanical Life:	50,000 operations minimum
Electrical Life:	25,000 operations minimum for silver; 50,000 operations minimum for gold; 50,000 operations minimum for silver at 3A @ 125V AC
Angle of Throw:	25°

Materials & Finishes

Actuator Clip & Mounting Frame:	Stainless Steel
Body Frame:	Stainless steel
Case:	Diallyl phthalate resin (UL94V-0)
Movable Contactor:	Phosphor bronze with silver or gold plating
Movable Contacts:	Silver alloy (code W); copper with gold plating (code G); or silver alloy with gold plating (code A)
Stationary Contacts:	Silver with silver plating (code W); copper or brass with gold plating (code G); or silver with gold plating (code A)
Terminals:	Copper or brass with silver plating; or copper or brass with gold plating



Environmental Data

Operating Temp Range:	-30°C through +85°C (-22°F through +185°F)
Humidity:	90 ~ 95% humidity for 96 hours @ 40°C (104°F)
Vibration:	10 ~ 55Hz with peak-to-peak amplitude of 1.5mm traversing the frequency range & returning in 1 minute; 3 right angled directions for 2 hours
Shock:	50G (490m/s ²) acceleration (tested in 6 right angled directions, with 5 shocks in each direction)

Processing

Soldering:	Wave Soldering (PC version) for Gold: See Profile A in Supplement section. Manual Soldering for Gold: See Profile A in Supplement section. Wave Soldering (PC version) for Silver: See Profile B in Supplement section. Manual Soldering for Silver: See Profile B in Supplement section. Note: Actuator must be in OFF (center) position while soldering.
Cleaning:	These devices are not process sealed. Hand clean locally using alcohol based solution.

Standards & Certifications

Flammability Standards:	UL94V-0 for case
 UL Recognized:	All models recognized at 6A @ 125V AC or 3A @ 250V AC or 0.4VA maximum @ 28V DC maximum; UL File No. WOYR2.E44145; add "/U" to end of part number to order UL mark on switch.
 CSA Certified:	All models recognized at 6A @ 125V AC or 3A @ 250V AC or 0.4VA maximum @ 28V maximum; CSA File No. 023535-0-000; add "/C" to end of part number to order CSA mark on switch.

TYPICAL SWITCH ORDERING EXAMPLE

M20 **1** **2** **TN** **W** **01** **D** **C**

POLES	
1	SPDT
2	DPDT SP3T
3	3PDT
4	4PDT DP3T

MOUNTING FRAMES	
TN	.272" (6.9mm) Wide Flat Frame
TY	.504" (12.8mm) Wide Flat Frame

CONTACT MATERIALS & RATINGS	
W	Silver; Rated 6A @ 125V AC & 3A @ 250V AC
G	Gold; Rated 0.4VA max @ 28V AC/DC max
A	Gold over Silver; Rated 6A @ 125V AC & 0.4VA max @ 28V AC/DC max

ROCKERS & PADDLES	
Small Actuators (TN Frame)	
D	.365" (9.27mm) Wide Rocker
E	.365" (9.27mm) Wide Paddle
F	.450" (11.43mm) Wide Rocker
G	.450" (11.43mm) Wide Paddle
Large Actuators (TY Frame)	
J	.595" (15.11mm) Wide Rocker
H	.595" (15.11mm) Wide Paddle

CIRCUITS			
2	ON	NONE	ON
3	ON	OFF	ON
5	ON	NONE	(ON)
8	(ON)	OFF	(ON)
9	ON	OFF	(ON)
*4	ON	ON	ON
*6	(ON)	ON	(ON)
*7	ON	ON	(ON)

() = Momentary
* 3-ON circuits

TERMINALS	
01	Solder Lug
03	.250" (6.35mm) Straight PC

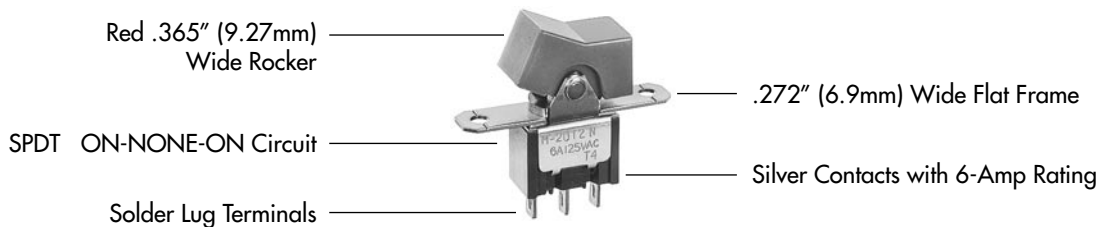
ROCKER & PADDLE COLORS	
A	Black
B	White
C	Red
E	Yellow
F	Green
G	Blue
H	Gray

IMPORTANT:

Switches are supplied without UL & CSA marking unless specified. Specific models & ratings noted on General Specifications page.

DESCRIPTION FOR TYPICAL ORDERING EXAMPLE

M2012TNW01-DC



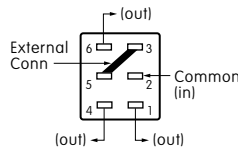
POLES & CIRCUITS

Pole	Model	Rocker Position () = Momentary			Connected Terminals			Throw & Schematics Note: Terminal numbers are not actually on the switch.
		Down	Center	Up	Down	Center	Up	
SP	M2012	ON	NONE	ON	2-3	OPEN	2-1	SPDT
	M2013	ON	OFF	ON				
	M2015	ON	NONE	(ON)				
	M2018	(ON)	OFF	(ON)				
	M2019	ON	OFF	(ON)				
DP	M2022	ON	NONE	ON	2-3 5-6	OPEN	2-1 5-4	DPDT
	M2023	ON	OFF	ON				
	M2025	ON	NONE	(ON)				
	M2028	(ON)	OFF	(ON)				
	M2029	ON	OFF	(ON)				
3P	M2032	ON	NONE	ON	2-3 5-6 8-9	OPEN	2-1 5-4 8-7	3PDT
	M2033	ON	OFF	ON				
	M2035	ON	NONE	(ON)				
	M2038	(ON)	OFF	(ON)				
	M2039	ON	OFF	(ON)				
4P	M2042	ON	NONE	ON	2-3 5-6 8-9 11-12	OPEN	2-1 5-4 8-7 11-10	4PDT
	M2043	ON	OFF	ON				
	M2045	ON	NONE	(ON)				
	M2048	(ON)	OFF	(ON)				
	M2049	ON	OFF	(ON)				

For 3 Throw (3-On)

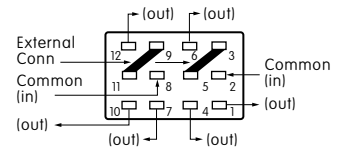
Pole	Model	Down	Center	Up	Connected Terminals & Schematics	
SP	M2024 M2026 M2027	ON	ON	ON	 2-3 5-6	
		(ON)	ON	(ON)		 2-3 5-4
		ON	ON	(ON)		
DP	M2044 M2046 M2047	ON	ON	ON	 2-3 5-6 8-9 11-12	
		(ON)	ON	(ON)		 2-3 5-4 8-9 11-10
		ON	ON	(ON)		

The SP3T model utilizes a double pole base.



External connection must be made during field installation.

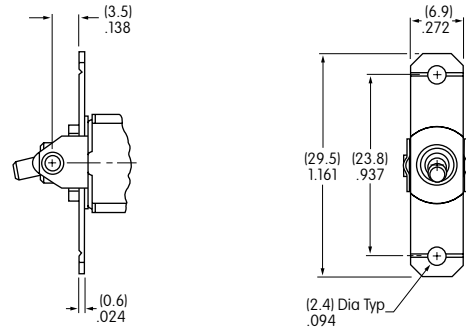
The DP3T model utilizes a four pole base.



External connection must be made during field installation.

MOUNTING FRAMES

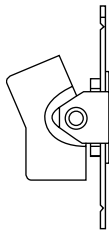
TN .272" (6.9mm)
Wide Flat Frame



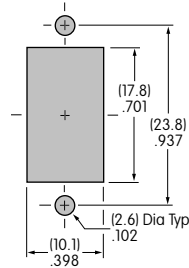
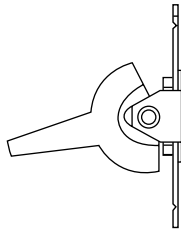
Mounting hardware kit HK-1, as shown on the following page, must be ordered separately.

Small Actuators & Panel Cutouts for TN Frame (actuator details on the following pages)

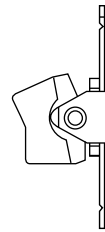
AT4148



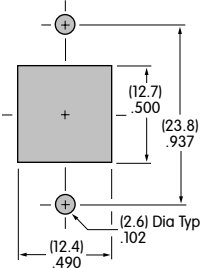
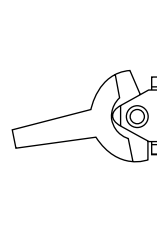
AT4149



AT4150



AT4151

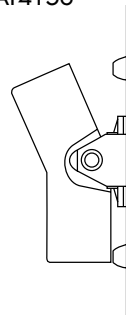


TY .504" (12.8mm)
Wide Flat Frame

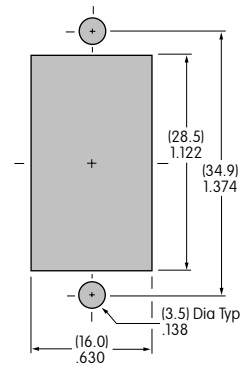
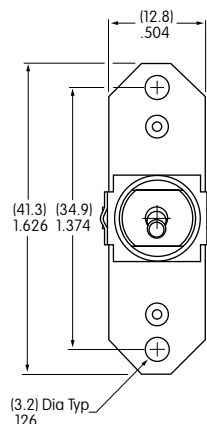
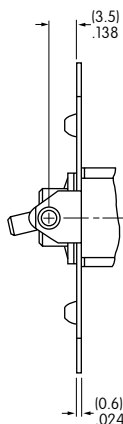
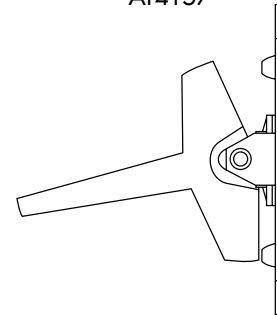
Large Actuators & Panel Cutout for TY Frame (actuator details on the following pages)

Mounting hardware kit HK-2, as shown on the following page, must be ordered separately.

AT4156

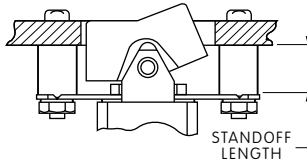


AT4157



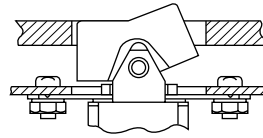
MOUNTING FRAMES (CONTINUED)

Face Panel Mounting



Flat frame devices may also be mounted to the face panel. Standoffs are used to recess the actuator and achieve an attractive front panel appearance.

Subpanel Mounting



These devices are especially designed for subpanel mounting. When installed on a mounting plate behind the panel, hardware is completely concealed and the front panel retains a clean, attractive appearance.

Optional Hardware Kits for Subpanel or Face Panel Mounting			
Frame	Panel Thickness	Standoff Length	Hardware Kit Number
TN Frame	.125" (3.175mm)	.233" (5.918mm)	HK-1
TY Frame	.125" (3.175mm)	.312" (7.925mm)	HK-2
Hardware kits include: 2 stainless steel screws, 2 hex nuts, 2 lockwashers, & 2 standoffs			

Optional Snap-in Panel Frames



AT064-1
AT064-2

Further details are shown in the previous bracketed PC mount subsection.



AT065-1
AT065-2

CONTACT MATERIALS & RATINGS

W

Silver over Silver

Power Level

6A @ 125V AC & 3A @ 250V AC

G

Gold over Brass or Copper

Logic Level

0.4VA maximum @ 28V AC/DC maximum

Note: See Supplement section to find complete explanation of operating range.

A

Gold over Silver

Power Level
or Logic Level

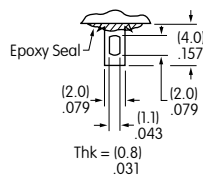
6A @ 125V AC
or 0.4VA maximum @ 28V AC/DC maximum

Note: This dual rated option is suitable when two or more identical switches are used in logic and in power circuits within the same application. See Supplement section to find complete explanation of dual rating and operating range.

TERMINALS

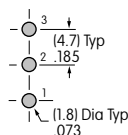
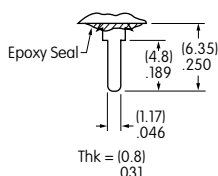
01

Solder Lug

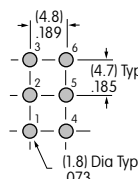


03

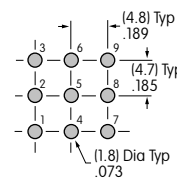
.250" (6.35mm)
Straight PC



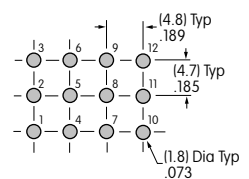
Single Pole



Double Pole



Three Pole



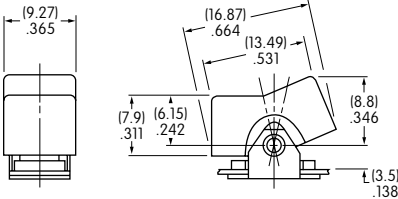
Four Pole

ROCKERS & PADDLES

For TN Frame

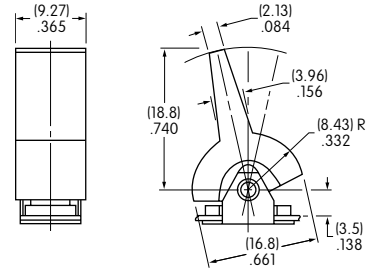
D AT4148 .365" (9.27mm)
Wide Rocker

Material: Polyamide
Finish: Matte



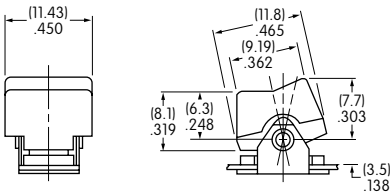
E AT4149 .365" (9.27mm)
Wide Paddle

Material: Polyamide
Finish: Matte



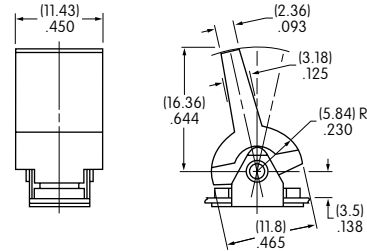
F AT4150 .450" (11.43mm)
Wide Rocker

Material: Polyamide
Finish: Matte



G AT4151 .450" (11.43mm)
Wide Paddle

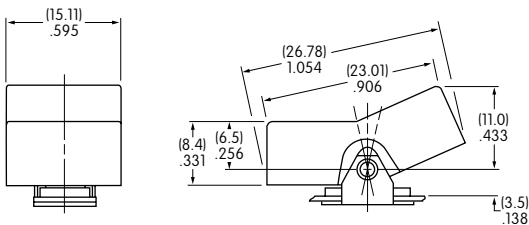
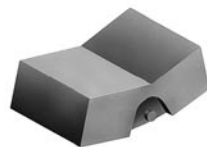
Material: Polyamide
Finish: Matte



For TY Frame

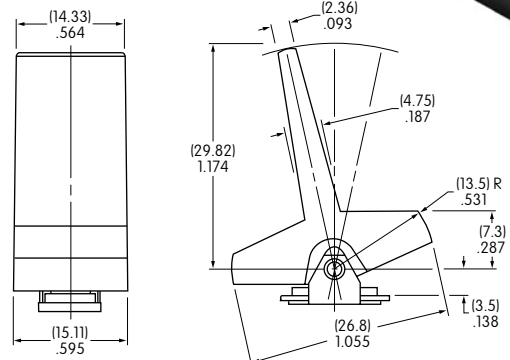
J AT4156 .595" (15.11mm)
Wide Rocker

Material: Polyamide
Finish: Matte



H AT4157 .595" (15.11mm)
Wide Paddle

Material: Polyamide
Finish: Matte



Cap Colors Available:



Black



White



Red



Yellow



Green



Blue



Gray

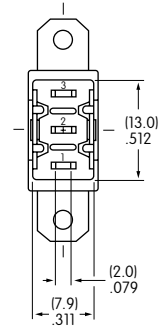
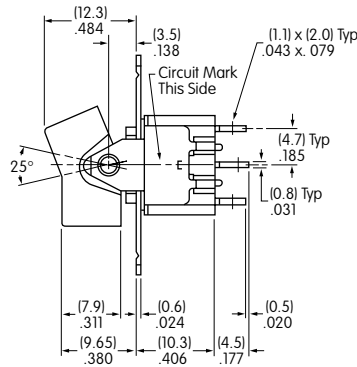
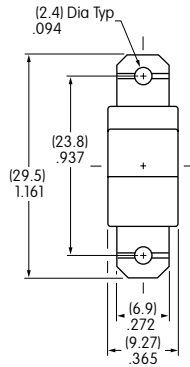
TYPICAL SWITCH DIMENSIONS

TN Frame • Solder Lug



M2012TNW01-DC

Single Pole

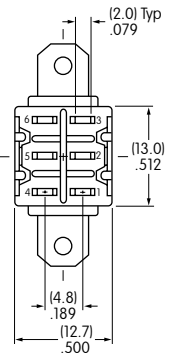
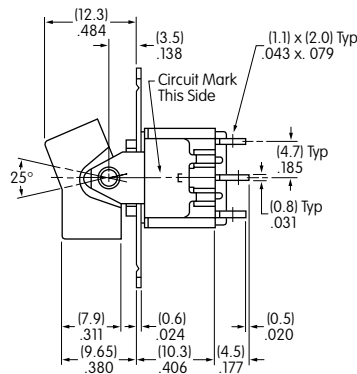
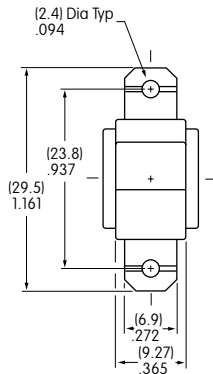


TN Frame • Solder Lug



M2022TNW01-DC

Double Pole

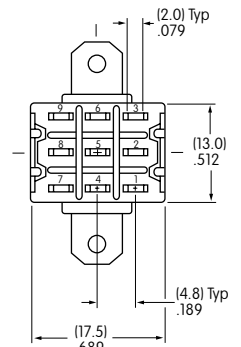
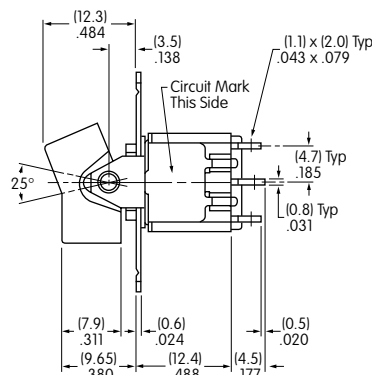
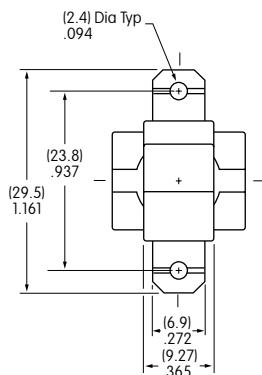


TN Frame • Solder Lug



M2032TNW01-DC

Three Pole

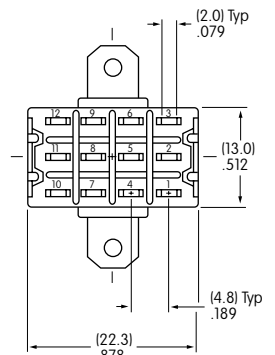
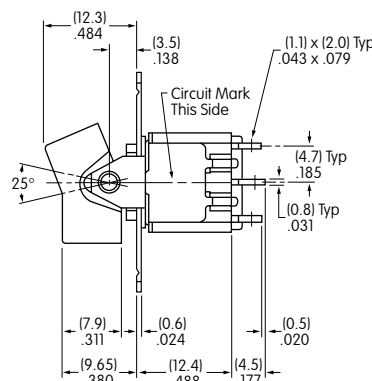
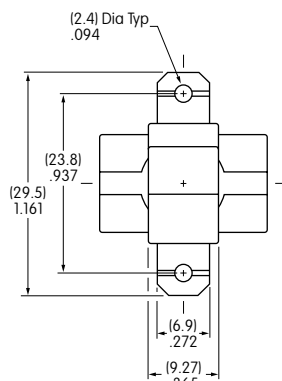


TN Frame • Solder Lug



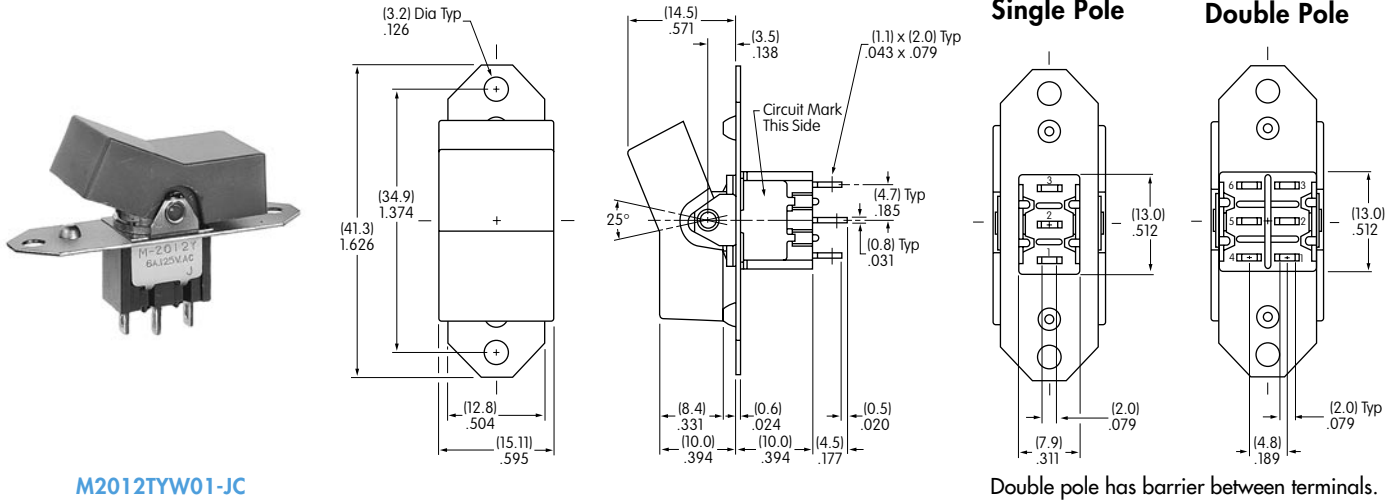
M2042TNW01-DC

Four Pole



TYPICAL SWITCH DIMENSIONS

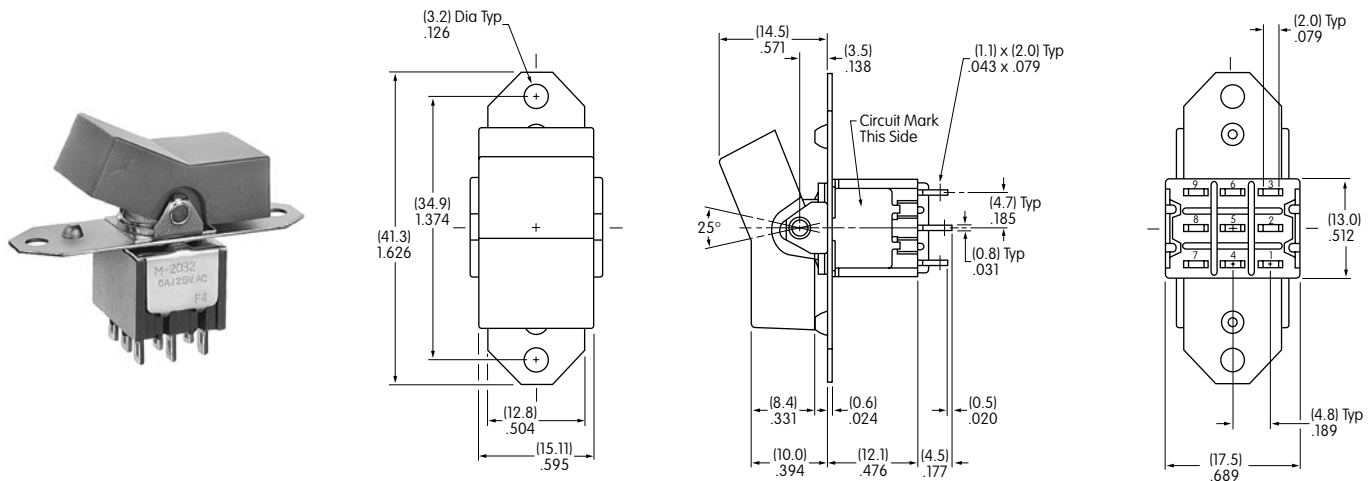
TY Frame • Solder Lug



M2012TYW01-JC

TY Frame • Solder Lug

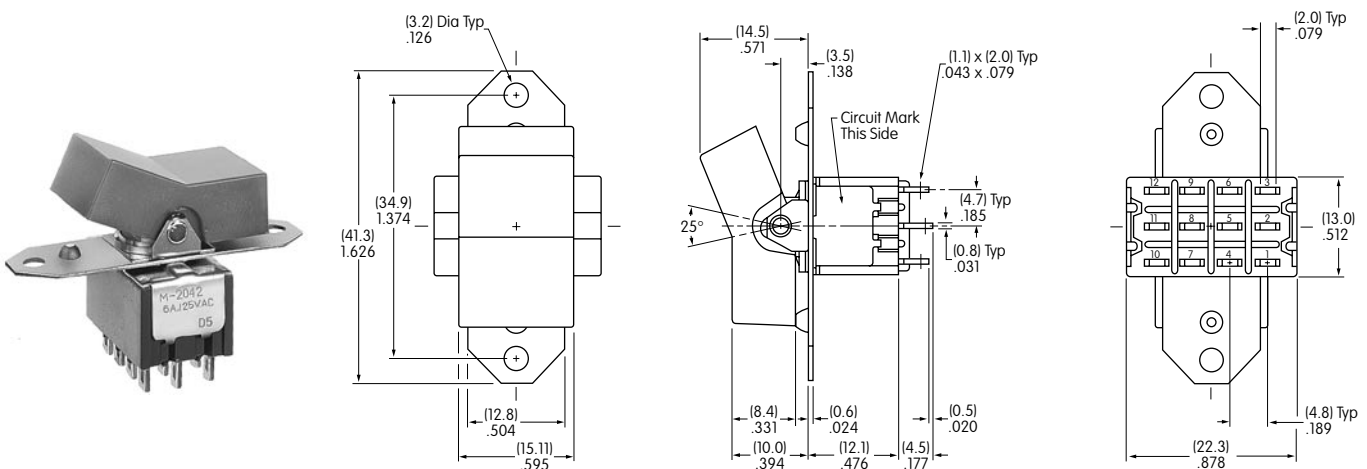
Three Pole



M2032TYW01-JC

TY Frame • Solder Lug

Four Pole



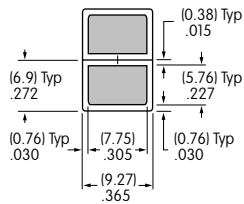
M2042TYW01-JC

LEGENDS

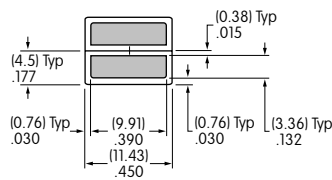
General information and basic specifications are presented here for customers who want to do their own legends.

Suggested Printable Area for Cap

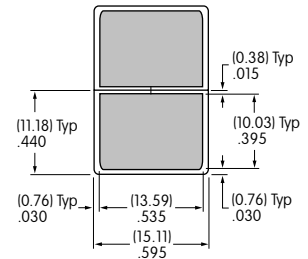
AT4148



AT4150



AT4156



Shaded areas are printable areas.

Recommended Print Method:

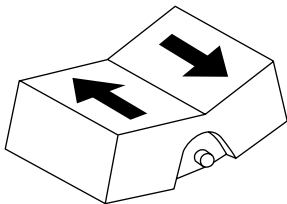
Screen Print or Pad Print

Epoxy based ink is recommended.

Additional Method

An additional method for legends is engraving the cap. Maximum depth for engraving is .012" (0.3mm) on the cap. Enamel paint is recommended to fill the engraved area.

LEGEND PACKET



1. To order caps with legends contact the factory and request the M Rocker Legend Packet.
2. Once you determine your desired legend, fill out the ordering work sheet included in the packet.
3. Return the completed work sheet to receive a quotation.