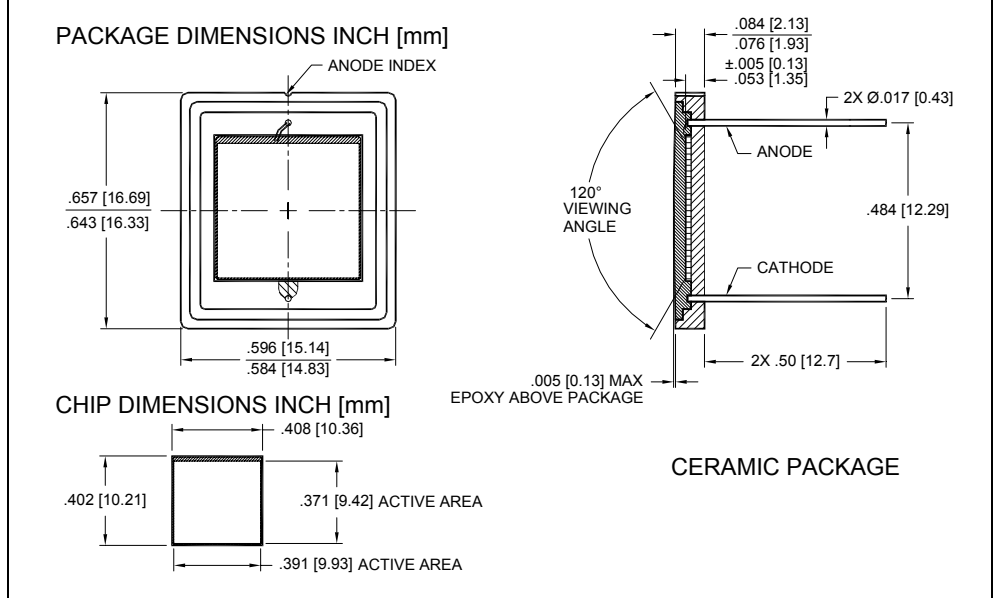
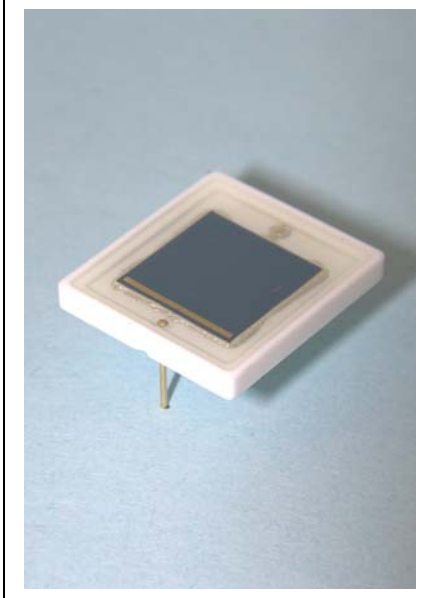


## PDB-V110

### Blue Enhanced Photovoltaic Silicon Photodiode



#### FEATURES

- Low noise
- Blue enhanced
- High shunt resistance
- High response

#### DESCRIPTION

The **PDB-V110** is a blue enhanced PIN silicon photodiode in a photovoltaic mode, packaged in a ceramic package.

#### APPLICATIONS

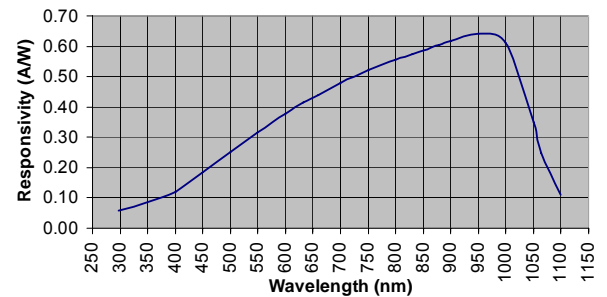
- Instrumentation
- Industrial
- Medical

#### ABSOLUTE MAXIMUM RATING (TA)= 23°C UNLESS OTHERWISE NOTED

SYMBOL	PARAMETER	MIN	MAX	UNITS
$V_{BR}$	Reverse Voltage		75	V
$T_{STG}$	Storage Temperature	-20	+80	°C
$T_O$	Operating Temperature	-20	+60	°C
$T_S$	Soldering Temperature*		+240	°C

\* 1/16 inch from case for 3 seconds max.

#### SPECTRAL RESPONSE



#### ELECTRO-OPTICAL CHARACTERISTICS RATING (TA)= 23°C UNLESS OTHERWISE NOTED

SYMBOL	CHARACTERISTIC	TEST CONDITIONS	MIN	TYP	MAX	UNITS
$I_{SC}$	Short Circuit Current	H = 100 fc, 2850 K	0.9	1.2		mA
$I_D$	Dark Current	$V_R = 10$ mV		200	333	pA
$R_{SH}$	Shunt Resistance	$V_R = 10$ mV	30	50		$M\Omega$
$C_J$	Junction Capacitance	$V_R = 0$ V, $f = 1$ MHz		10000	12000	pF
$\lambda$ range	Spectral Application Range	Spot Scan	350		1100	nm
R	Responsivity	$\lambda = 450$ nm, $V_R = 0$ V	0.15	0.17		A/W
$V_{BR}$	Breakdown Voltage	$I = 10$ $\mu$ A	20	30		V
NEP	Noise Equivalent Power	$V_R = 0$ V @ $\lambda =$ Peak		$2 \times 10^{-14}$		W/ $\sqrt{\text{Hz}}$
$t_r$	Response Time**	$R_L = 50 \Omega, V_R = 0$ V		190		nS
		$R_L = 50 \Omega, V_R = 10$ V		13		nS

\*\*Response time of 10% to 90% is specified at 660nm wavelength light.

Information in this technical datasheet is believed to be correct and reliable. However, no responsibility is assumed for possible inaccuracies or omission. Specifications are subject to change without notice.