



PDT512SM Series Dual Digit 7 Segment SMD Display 0.51"

Features

- *Surface Mount Devise .51" (13mm)
Digit Height, Multiplex Drive
- *AllInGaP Ultra Bright Blue Chips used
- *Low Current Requirements
- *Uniform Light Output
- *IC Compatible
- *High Reliability
- *Gray Face, White Segments
- *Tape & Reel 1k pcs
- *RoHS Compliant

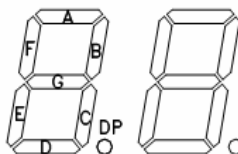
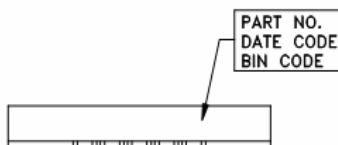
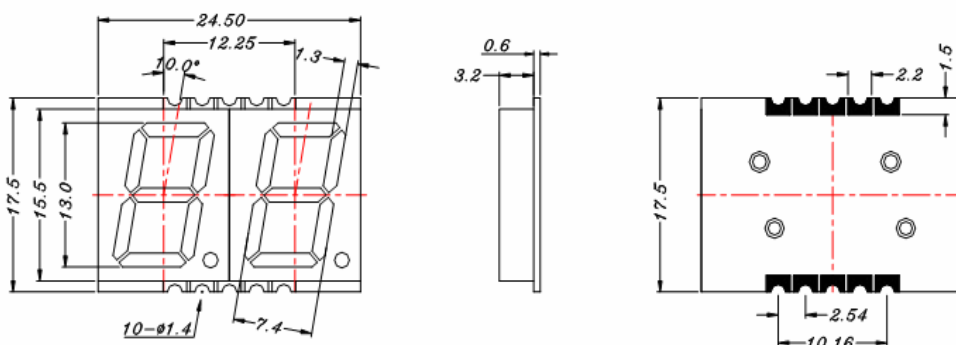
Absolute Maximum Ratings at T_A = 25°C

| | |
|--|----------------------|
| Power Dissipation per Segment..... | 95mW |
| Reverse Voltage (<100 μA)..... | 5.0V |
| Max Forward Current..... | 25mA |
| Peak Forward Current (1/10 Duty Cycle, 0.1ms Pulse Width)..... | 90mA |
| Operating Temperature Range..... | -40°C to +105°C |
| Storage Temperature Range..... | -40°C to +105°C |
| Soldering Temperature (1.6mm below body)..... | 260°C for 10 seconds |

Electrical & Optical Characteristics at T_A = 25°C

| Part Number | | Emitting Color | Chip Material | Dominant Wave Length | Peak Wave Length | Forward Voltage @20mA (V) | | Luminous Intensity @10mA (mcd) | |
|-----------------|-----------------|----------------|---------------|----------------------|------------------|---------------------------|-----|--------------------------------|------|
| Common Anode | Common Cathode | | | | | Typ | Max | Min | Typ |
| PDT512SM-CAMB17 | PDT512SM-CCMB17 | Blue | InGaN | 470 | — | 3.3 | 3.9 | 6.0 | 13.0 |

All Dimensions are in **Millimeters**. Tolerance is ± 0.25mm unless otherwise specified.



| Pin Function | |
|-------------------------|---------------------------|
| Common Anode Pin # | Common Cathode Pin # |
| 1 Cathode G | 1 Anode G |
| 2 Cathode DP | 2 Anode DP |
| 3 Cathode A | 3 Anode A |
| 4 Cathode F | 4 Anode F |
| 5 Com Anode Digit 2 | 5 Com Cathode Digit 2 |
| 6 Cathode D | 6 Anode D |
| 7 Cathode E | 7 Anode E |
| 8 Cathode C | 8 Anode C |
| 9 Cathode B | 9 Anode B |
| 10 Com Anode Digit 1 | 10 Com Cathode Digit 1 |