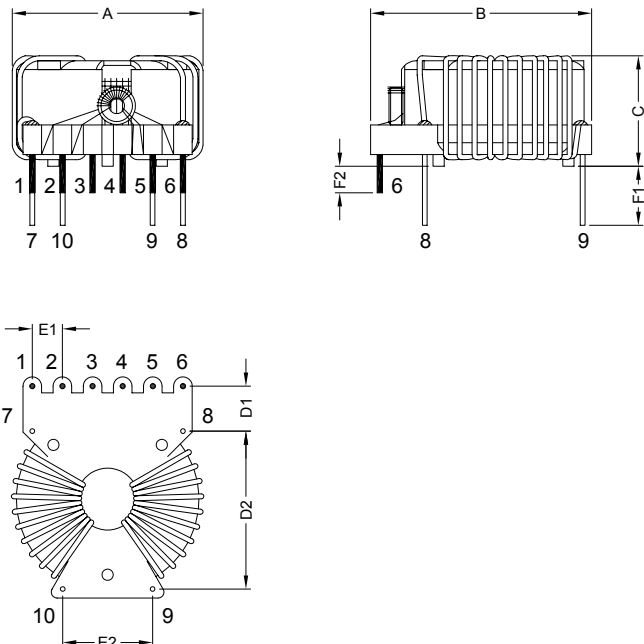


## 1. CONFIGURATION & DIMENSIONS :

### Style 1



Unit : mm

Dim.	Style 1
A	35.00 Max.
B	40.00 Max.
C	20.00 Max.
D1	7.62±0.30
D2	25.38±0.30
E1	5.08±0.30
E2	15.24±0.30
F1	10.00±0.50
F2	4.50±0.50

## 2. GENERAL SPECIFICATION :

- Operating temp. : -25°C to +105°C
- Insulation Class : B ( 130°C )

## 3. ELECTRICAL CHARACTERISTICS :

Part No.	Style	Electrical	Conditions	Test Freq.	DCR
STRC5HTF	1	L : (3-4) = 12mH Min.	-	10KHz / 50mV	(3-4) = 0.58Ω Max. @ 25°C
		L : (1-2) = 30uH Min.	-	10KHz / 50mV	(1-2) = 58mΩ Max. @ 25°C
		L : (6-5) = 30uH Min.	-	10KHz / 50mV	(6-5) = 58mΩ Max. @ 25°C
		L : (7-10) = 150uH Min.	-	10KHz / 50mV	(7-10) = 26mΩ Max. @ 25°C
		L : (9-8) = 150uH Min.	-	10KHz / 50mV	(9-8) = 26mΩ Max. @ 25°C
STRC5HTF	1	L : (4-3) = 18mH Min.	-	10KHz / 50mV	(4-3) = 0.67Ω Max. @ 25°C
		L : (2-1) = 25.6uH Min.	-	10KHz / 50mV	(10-7) = 18.24mΩ Max. @ 25°C
		L : (5-6) = 25.6uH Min.	-	10KHz / 50mV	(8-9) = 18.18mΩ Max. @ 25°C
					(5-6) = 48.93mΩ Max. @ 25°C
			(2-1) = 49.88mΩ Max. @ 25°C		



**RoHS Compliant**

NOTE : Specifications subject to change without notice. Please check our website for latest information.

03.06.2008



**SUPERWORLD ELECTRONICS (S) PTE LTD**