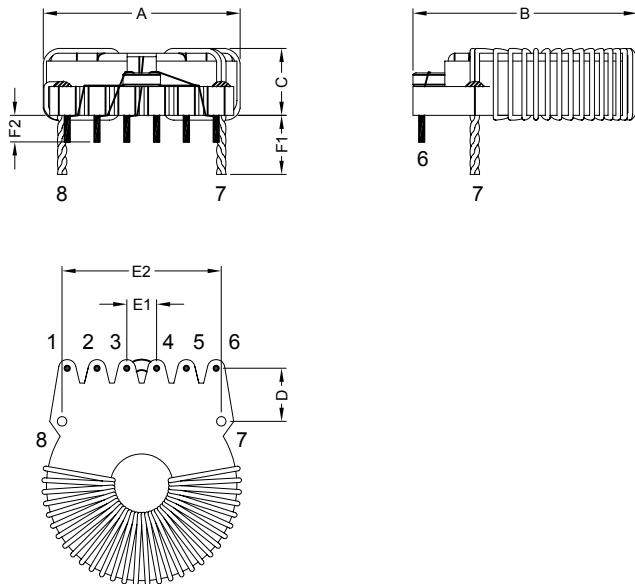


1. CONFIGURATION & DIMENSIONS :

Style 1



Unit : mm

Dim.	Style 1
A	37.00 Max.
B	41.00 Max.
C	13.50 Max.
D	9.00±0.30
E1	5.08±0.30
E2	27.00±0.30
F1	10.00 Min.
F2	4.50±1.00

2. GENERAL SPECIFICATION :

- a) Operating temp. : -25°C to +105°C
- b) Insulation Class : B (130°C)

3. ELECTRICAL CHARACTERISTICS :

Part No.	Style	Electrical	Conditions	Test Freq.	DCR
STRC8HTF	1	L : (4-3) = 19mH Min.	-	10KHz / 50mV	(4-3) = 1.28Ω Max. @ 25°C
		L : (8-7) = 240uH Min.	-	10KHz / 50mV	(8-7) = 16mΩ Max. @ 25°C
		L : (2-1) = 30uH Min.	-	10KHz / 50mV	(5-6) = 49mΩ Max. @ 25°C
		L : (5-6) = 30uH Min.	-	10KHz / 50mV	(2-1) = 49mΩ Max. @ 25°C



RoHS Compliant

NOTE : Specifications subject to change without notice. Please check our website for latest information.

03.06.2008



SUPERWORLD ELECTRONICS (S) PTE LTD