

VSO-HP

High performance pressure controllers

FEATURES

- Stable pressure control with minimal thermal drift
- Rapid depressurisation
- High accuracy; high repeatability
- Low power consumption
- Optional 5 V supply output
- Configurable for pressure or flow control
- External pressure sensor capability
- Silent operation; long life
- Includes thermally compensated proportional VSO[®] valve and dump valve



MEDIA COMPATIBILITY

Non-corrosive gases

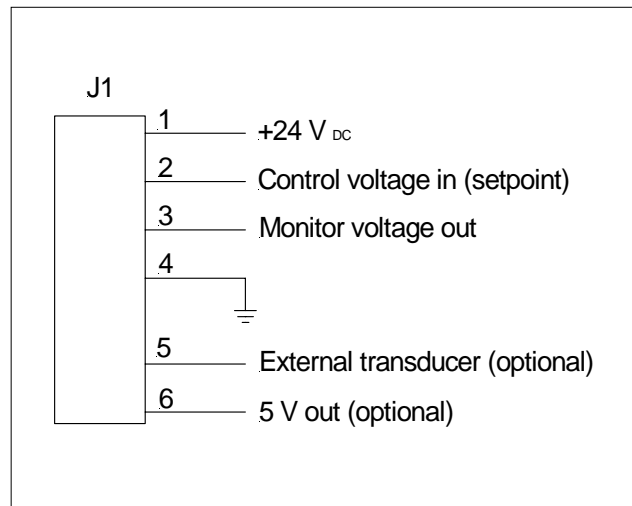
ELECTRICAL

Power	24 V _{DC} ± 10%
Input control signal	0...5 V _{DC}
Monitor output voltage	0...5 V _{DC}
Current requirement	<250 mA
Electrical connector	6 pin miniature interface cable included

PHYSICAL PROPERTIES

Operating environment	0 to 55 °C
Storage temperature	-40 to 55 °C
Porting	10-32 UNF female ports

ELECTRICAL CONNECTION



VSO is a registered trademark of Parker Hannifin Corporation.

VSO-HP

High performance pressure controllers

PRESSURE RANGES CHARACTERISTICS

Part no.	Pressure range*	Maximum supply pressure
VSOHP...0-7	0...7 psig	150% of pressure transducer rating
VSOHP...0-15	0...15 psig	
VSOHP...0-100	0...100 psig	

* Custom ranges available (including 0...2, 0...5, 0...30, 0...50, 0...70 psig)

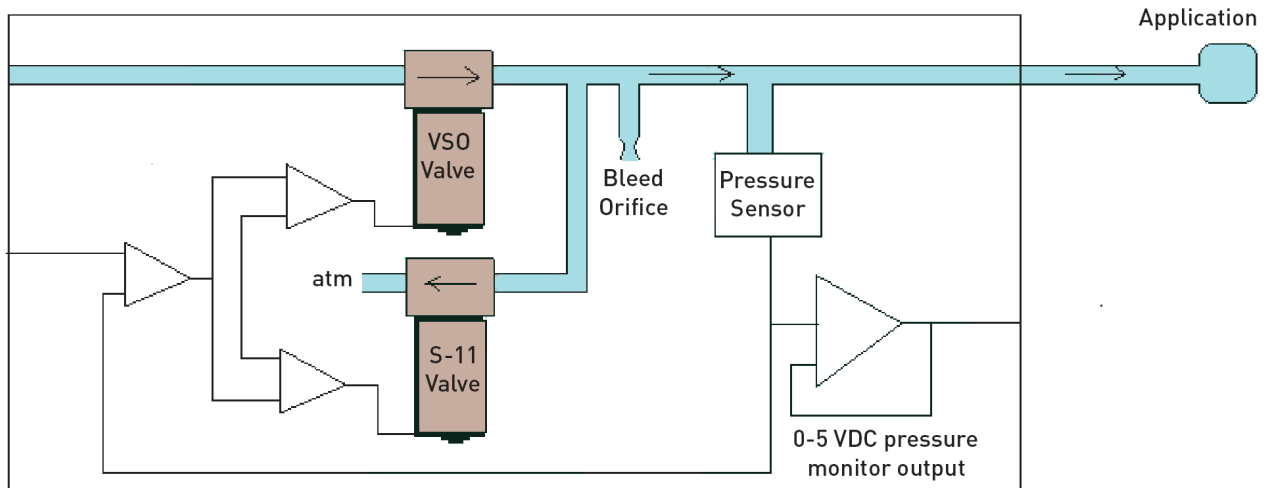
PERFORMANCE CHARACTERISTICS

Characteristics	Min.	Typ.	Max.	Unit
Pressure accuracy		±0.2	±1.0	%FS
Non-linearity			±1.0	
Response time*			15	ms

* Response time to target pressure is output volume dependent

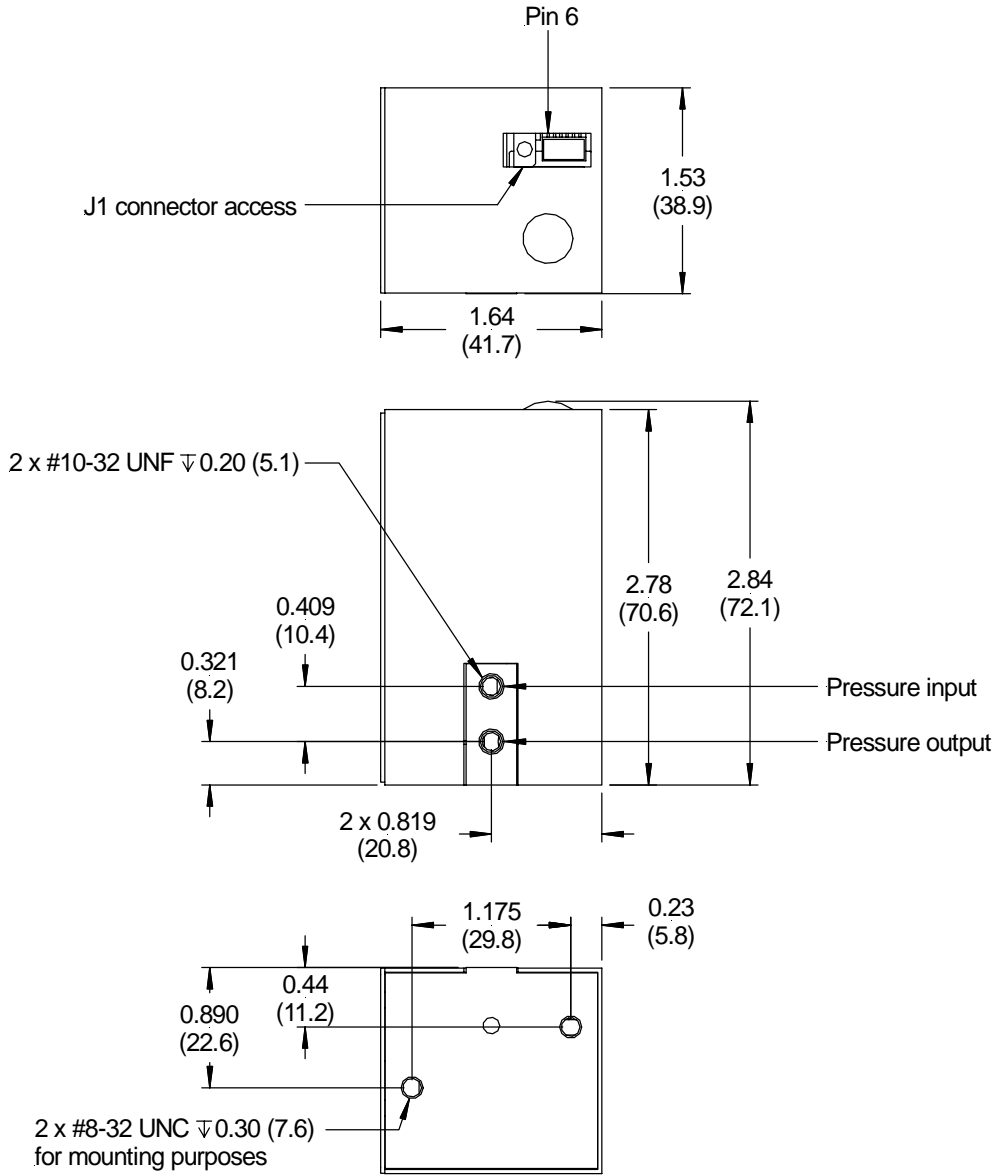
CONFIGURATIONS

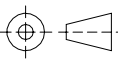
Pressure control: Standard configuration



Alternate configuration is without bleed orifice.

PHYSICAL DIMENSIONS




 third angle projection
 dimensions in inches (mm)

VSO-HP

High performance pressure controllers

ORDERING INFORMATION

Options	Series	Configuration	Valve orifice		Electrical input		Pneumatic range*	
	VSOHP		S: Standard pressure control A: Alternate pressure control	1: 0.01 "	3: 0.03 "	0-5: 0...5 V _{DC}	0-7: 0...7 psi 0-15: 0...15 psi 0-100: 0...100 psi	
							* consult Sensortechincs for custom pressure ranges	
Available listings:								
VSOHPS30-50-15								
VSOHPS30-50-100								
VSOHPA10-50-7								
VSOHPA10-50-15								
VSOHPA10-50-100								

**CUSTOM PRESSURE RANGES AND CONFIGURATIONS ARE AVAILABLE.
PLEASE CONTACT YOUR NEAREST SENSORTECHNICS SALES OFFICE.**

Sensortechincs reserves the right to make changes to any products herein. Sensortechincs does not assume any liability arising out of the application or use of any product or circuit described herein, neither does it convey any license under its patent rights nor the rights of others.