

SPECIFICATION FOR APPROVAL

Product Name	Linear Adaptors	Page	1
Superworld Part No:	WK Series	Rev No	A

Features

1. Ergonomic Design
2. Region Specific Models
3. High Quality Control
4. AC/AC , AC/DC unregulated models
5. Type Wall - Mount
6. Electrical Characteristics : AT 25 deg
7. Operation Temperature : 0 deg ~ 40 deg
8. Storage Temperature : - 40 deg ~ 80 deg
9. Power AC~AC 4.2VA to 20VA
AC~DC 4.2VA to 12.0VA



Safety

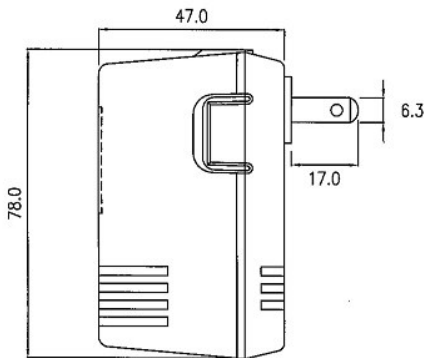
1. regions: Japan - PSE, USA - UL/CUL, TUV/EMC , CE
2. Standards: UL1310, CSA22.2, EN50082 , EN50081 , EN61000

Applications

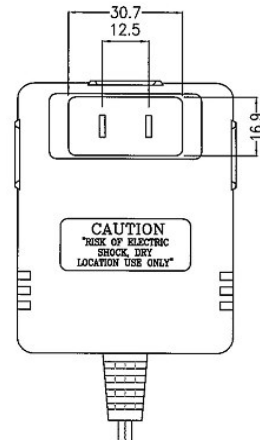
1. Low Energy AC/DC Power Supply .
2. IT Equipment .
3. Chargers .

Input (Region Specific)	
America	120VAC / 60Hz
Europe	230VAC / 50Hz
Australia	220 ~ 240VAC / 50Hz
Japan	100VAC / 50/60Hz
China	220VAC / 50Hz

Dimensions for reference :



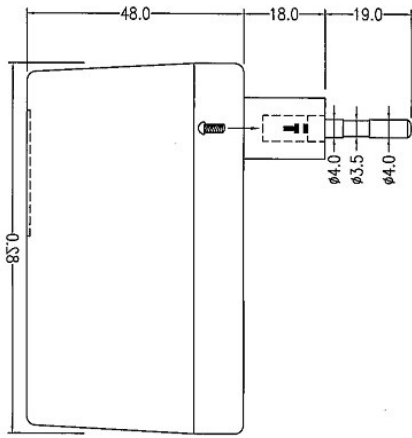
IP-A



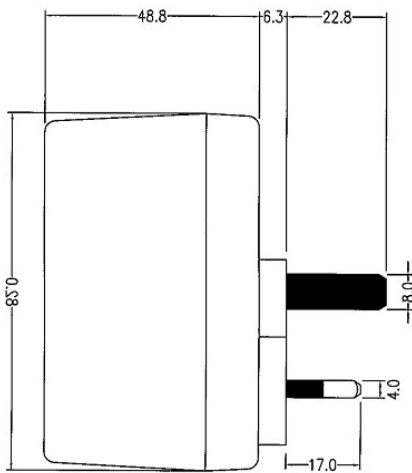
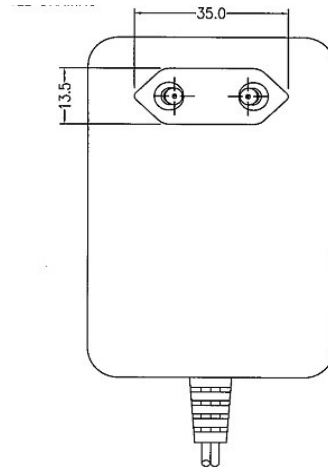
SUPERWORLD ELECTRONICS (S) PTE LTD

SPECIFICATION FOR APPROVAL

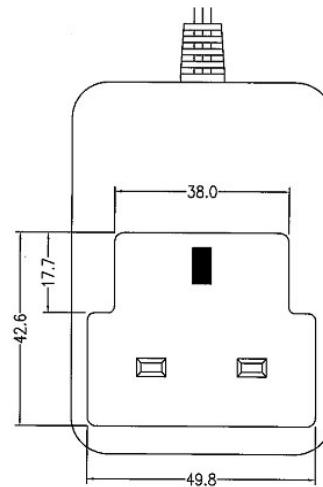
Product Name	Linear Adaptors	Page	2
Superworld Part No:	WK Series	Rev No	A



IP-E



IP-H



SPECIFICATION FOR APPROVAL

Product Name	Linear Adaptors	Page	3
Superworld Part No:	WK Series	Rev No	A

Electrical Characteristics :

MODEL	OUTPUT			SAFETY APPROVAL	
	VOLTAGE (V)	CURRENT (mA)	POWER (VA)	AC	DC
WK060700	6.0	700	4.200	4	4
WK060750		750	4.500	4	4
WK060800		800	4.800	4	4
WK060850		850	5.100	4	4
WK060900		900	5.400	4	4
WK060950		950	5.700	4	4
WK0601A0		1000	6.000	4	A C 4
WK0601A2		1200	7.200	4	A B C 4
WK0601A5		1500	9.000	4	4
WK0601A8		1800	10.800	4	4
WK0602A0		2000	12.000	4	4
WK075700		7.5	700	5.250	4
WK075750	750		5.630	4	4
WK075800	800		6.000	4	4
WK075850	850		6.380	4	4
WK075900	900		6.750	4	4
WK075950	950		7.130	4	4
WK0751A0	1000		7.500	4	A C 4
WK0751A2	1200		9.000	4	4
WK0751A5	1500		11.250	4	4
WK0801A0	8.0		1000	8.000	4
WK090600	9.0	600	5.400	4	4
WK090650		650	5.850	4	4
WK090700		700	6.300	4	4
WK090750		750	6.750	4	4
WK090800		800	7.200	A B 4	A B 4
WK090850		850	7.650	4	4
WK090900		900	8.100	4	4
WK0901A0		1000	9.000	A B 4	A B C 4
WK0901A2		1200	10.800	4	A 4
WK090125		1250	11.250	4	4
WK0901A5		1500	13.500	4	4
WK0902A0		2000	18.000	4	4

UL : A CSA : B CUL : C CE : 4



SPECIFICATION FOR APPROVAL

Product Name	Linear Adaptors	Page	4
Superworld Part No:	WK Series	Rev No	A

Electrical Characteristics :

MODEL	OUTPUT			SAFETY APPROVAL		
	VOLTAGE (V)	CURRENT (mA)	POWER (VA)	AC	DC	
WK100400	10.0	400	4.000	4	4	
WK100500		500	5.000	4	4	
WK100550		550	5.500	4	4	
WK100600		600	6.000	4	4	
WK100650		650	6.500	4	4	
WK100700		700	7.000	4	4	
WK100750		750	7.500	4	4	
WK100800		800	8.000	4	4	
WK100850		850	8.500	4	4	
WK100900		900	9.000	4	4	
WK1001A0		1000	10.000	4	A B 4	
WK1001A2		1200	12.000	A	4 A 4	
WK1001A3		1300	13.000	4	4	
WK1001A5		1500	15.000	A	4 4	
WK1001A6		1600	16.000	4	4	
WK110115		11.0	1150	12.650	4	4
WK120500	12.0	500	6.000	4	4	
WK120550		550	6.600	4	4	
WK120600		600	7.200	4	4	
WK120650		650	7.800	4	4	
WK120700		700	8.400	4	A C 4	
WK120750		750	9.000	4	A C 4	
WK120800		800	9.600	A B	4 A B C 4	
WK120900		900	10.800	4	4	
WK1201A0		1000	12.000	A B	4 A B C 4	
WK1201A2		1200	14.400	A B	4 A B C 4	
WK1201A3		1300	15.600	A B	4 A B 4	
WK1201A5		1500	18.000	A B C	4 A B 4	
WK1201A6		1600	19.200	A B C	4 4	
WK120167		1670	20.040	4	4	
WK135650		13.5	650	8.775	A B	4 4
WK1351A0		1000	13.500	4	A B 4	
WK138750	13.8	750	10.350	4	A 4	
WK1381A0	1000	13.800	4	4		
WK140800	14.0	800	11.200	4	4	
WK1451A0	14.5	1000	14.500	4	4	
WK150500	15.0	500	7.500	4	A 4	
WK150800		800	12.000	4	A B 4	
WK1501A0		1000	15.000	4	A C 4	
WK160625	16.0	625	10.000	4	4	
WK1601A0		1000	16.000	4	4	
WK1601A2		1200	19.200	4	4	
WK170560	17.0	560	9.520	A	4 4	
WK170700		700	11.900	4	4	
WK170750		750	12.750	4	4	
WK1701A0	1000	17.000	A B	4 4		
WK180300	18.0	300	5.400	4	A 4	
WK180400		400	7.200	4	A 4	
WK180450		450	8.100	A	4 4	
WK180500		500	9.000	4	4	
WK180600	20.0	600	10.800	A	4 4	
WK200600		600	12.000	4	A C 4	
WK240300		300	7.200	A	4 A 4	
WK240350	24.0	350	8.400	4	A B 4	
WK240400		400	9.600	A	4 A B 4	
WK240500		500	12.000	4	A 4	
WK240600		600	14.400	4	4	
WK240700		700	16.800	4	4	
WK240750		750	18.000	4	4	
WK240830		730	19.920	4	4	
WK270500		27.0	500	13.500	4	A 4

UL : A CSA : B CUL : C CE : 4



SUPERWORLD ELECTRONICS (S) PTE LTD