

FEATURES

- 2-way and 3-way configurations
- Wetted parts composed of non-corrosive plastics, stainless steel and a variety of elastomer seals
- High cycle life
- Small packages with no sliding metal-to-metal surfaces
- Eliminates potential leak paths with integral barbs molded as part of the valve body and machined to the endplate
- Requires no pressure to operate



MEDIA COMPATIBILITY

Liquids and gases

WETTED MATERIALS

Materials contacting media:

PTFE, stainless steel, seals, body

Diaphragm version: EPDM, Ryton (PPS)

Seals:

FKM, EPDM

Body:

PEEK

Diaphragm version: Ryton (PPS)

ELECTRICAL

Power 2.5, 4.2 W

Voltage 12, 24 V_{DC}

PHYSICAL PROPERTIES

Operating environment 4 to 66 °C

Weight 51 to 57 g
(material and configuration dependent)

Porting 1/16", 1/8" or 3/16" barb

Internal volume
 1/16" barb 238 µl
 1/8" barb 326 µl
 3/16" barb 516 µl

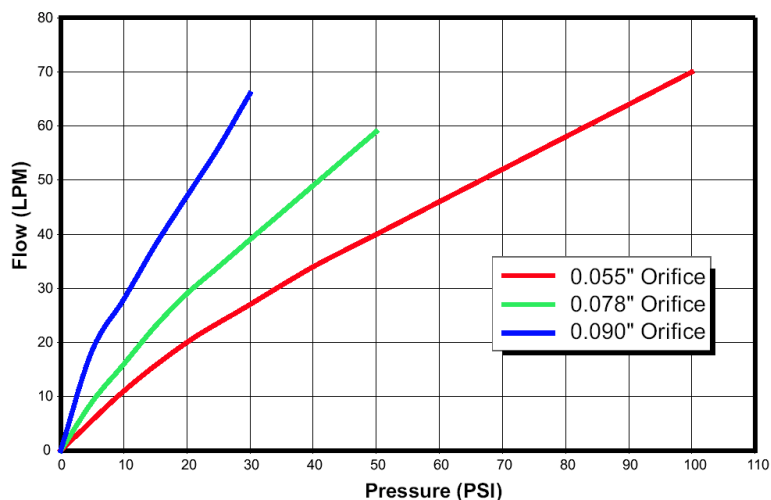
PERFORMANCE CHARACTERISTICS

Part no.	Pressure	Orifice sizes	Leak rate	Response
See Ordering Information	Vacuum...7 bar (100 psi)	0.055" (1.40 mm)	Bubble tight	20 ms
	Vacuum...3.5 bar (50 psi)	0.078" (1.98 mm)		
	Vacuum...1.7 bar (25 psi)*			
	Vacuum...1.4 bar (20 psi)	0.090" (2.29 mm)		

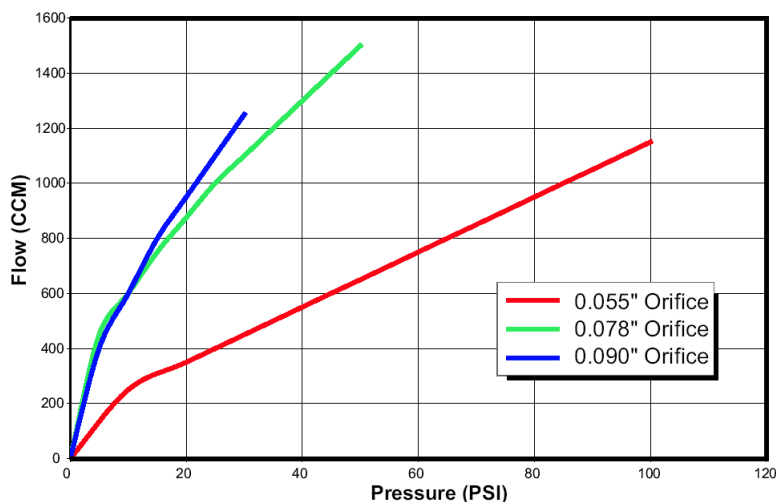
* Diaphragm version

FLOW CURVES

Air flow



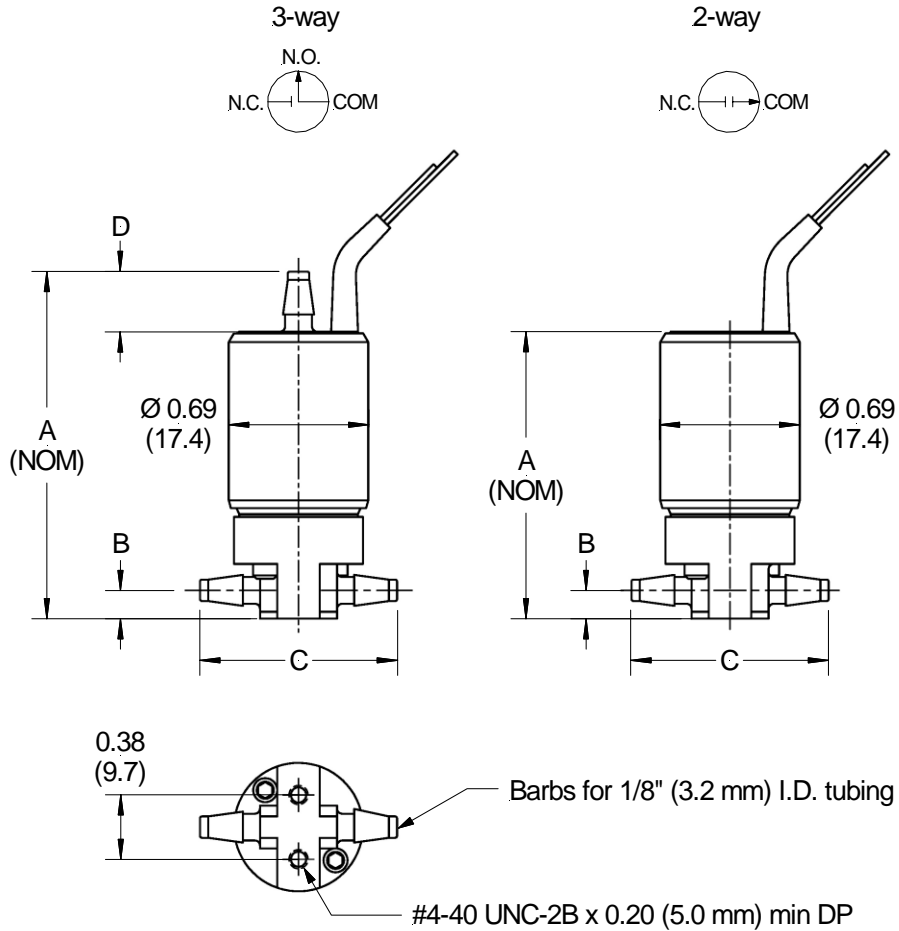
Water flow



Series 3

General purpose 2-way and 3-way solenoid valves

OUTLINE DRAWING



Dimensions

Ports	3-way				2-way		
	A	B	C	D	A	B	C
1/16" barbs	1.86 (47.2)	0.16 (4.1)	0.98 (24.9)	0.17 (4.3)	1.69 (42.9)	0.16 (4.1)	0.98 (24.9)
1/8" barbs	2.03 (51.6)	0.16 (4.1)	1.15 (29.2)	0.35 (8.9)	1.69 (42.9)	0.16 (4.1)	1.15 (29.2)
3/16" barbs	2.13 (54.1)	0.16 (4.1)	1.32 (33.5)	0.44 (11.2)	1.69 (42.9)	0.16 (4.1)	1.32 (33.5)

dimensions in inches (mm)

Series 3

General purpose 2-way and 3-way solenoid valves

ORDERING INFORMATION

Part No.	Type	Operating Pressure	Orifice	Voltage	Porting	Seals	
003-0137-900	2-way NC	Vac...7 bar (100 psi)	1.40 mm (0.055")	12 V _{DC}	1/16" barb	FKM	
003-0218-900						EPDM	
003-0130-900	3-way					FKM	
003-0214-900						EPDM	
003-0096-900	2-way NC			24 V _{DC}		1/8" barb	FKM
003-0264-900							EPDM
003-0194-900	3-way						FKM
003-0241-900							EPDM
003-0141-900	2-way NC	Vac...3.5 bar (50 psi)	1.98 mm (0.078")	12 V _{DC}	1/8" barb	FKM	
003-0260-900						EPDM	
003-0120-900	3-way					FKM	
003-0356-900						EPDM	
003-0111-900	2-way NC			24 V _{DC}		3/16" barb	FKM
003-0257-900							EPDM
003-0165-900	3-way						FKM
003-0258-900							EPDM
003-0178-900	2-way NC	Vac...1.7 bar (25 psi)	2.29 mm (0.090")	12 V _{DC}	EPDM diaphragm		
003-0496-900				24 V _{DC}			
003-0175-900		3-way	Vac...1.4 bar (20 psi)	2.29 mm (0.090")		12 V _{DC}	FKM
003-0189-900							EPDM
003-0328-900	3-way	FKM					
003-0347-900		EPDM					
003-0359-900	2-way NC	24 V _{DC}			3/16" barb	FKM	
003-0376-900						EPDM	
003-0421-900	3-way					FKM	
003-0461-900						EPDM	

Sensortech reserves the right to make changes to any products herein. Sensortech does not assume any liability arising out of the application or use of any product or circuit described herein, neither does it convey any license under its patent rights nor the rights of others.