

Custom Clock generator for LCD Projector

Features

- Custom Clock Generator for LCD Projector
- Generates EMI optimized clock signals for LCD Projector system
- Uses an inexpensive 14.7456 MHz crystal for generating the required Outputs
- Frequency outputs:
 - CLK1 : 27.002MHz (± 20 ppm)
 - CLK2 : 14.7456MHz (Zero ppm)
 - CLK3 : 65MHz (± 15 ppm)
 - CLK4,CLK5 : 65MHz (± 15 ppm) Spread Spectrum Clock
 - ASM3P2856A: +/- 1% centre spread
ASM3P2856B: selectable +/-1.0% & +/-1.5% Centre Spread option
- Supply voltage range 3.3V \pm 0.3V.
- Available in 16 Pin TSSOP
- Available in Commercial Temperature range

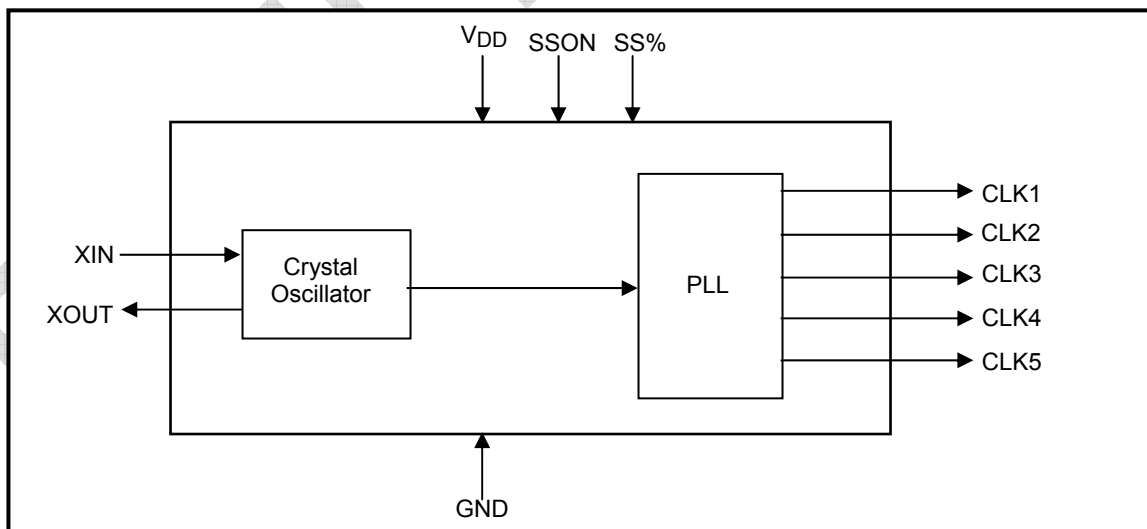
Product Description

ASM3P2856A/B generate the required four custom clock frequencies for the LCD Projector. An inexpensive 14.7456MHz crystal is used to generate a 14.7456MHz used by the microcomputer, a 27MHz used by Video, a non-spread 65MHz, and a centre spread 65MHz clock used by the LCD projector system. The spread spectrum clock has +/- 0.5% or +/- 1% spread options. The spread spectrum clock of ASM3P2856A/B reduces electromagnetic interference (EMI) at the clock source. This allows significant system cost savings by reducing the number of circuit board layers and shielding that are required to pass EMI regulations.

Applications

ASM3P2856A/B is targeted for use in LCD Projectors.

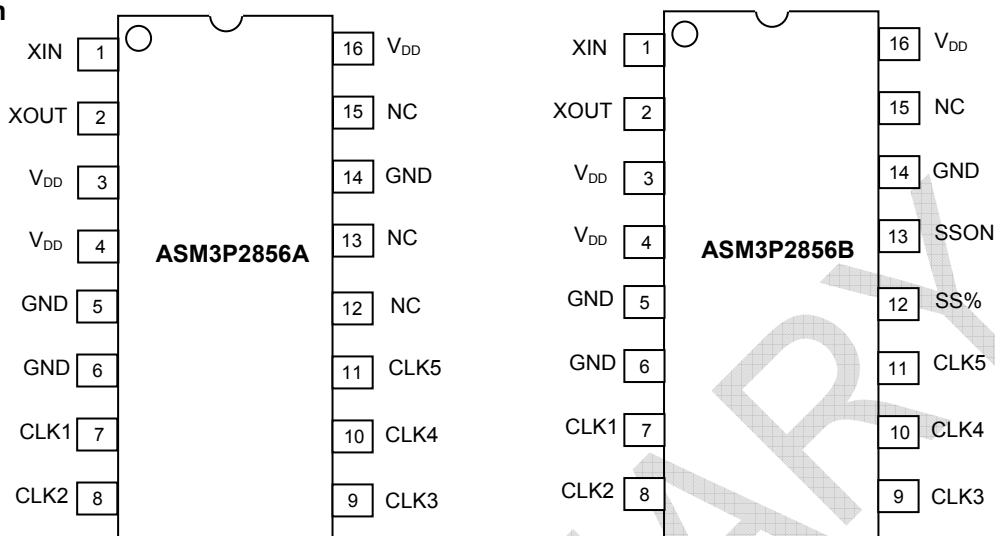
Block Diagram



November 2006

rev 0.1

Pin Configuration



Pin Description

Pin#	Pin Name	Type	Description
1	XIN	I	Connection to crystal or external reference frequency input. This pin has dual functions. It can be connected either to an external crystal or an external reference clock.
2	XOUT	O	Connection to crystal. If using an external reference clock, this pin must be left unconnected.
3	V _{DD}	P	Power supply for the entire Chip
4	V _{DD}	P	Power supply for the entire Chip
5	GND	P	Ground to entire chip
6	GND	P	Ground to entire chip
7	CLK1	O	27.002 MHz Clock output. Refer to Input & Output Frequency Table for details.
8	CLK2	O	Reference Clock Output. Refer to Input & Output Frequency Table for details.
9	CLK3	O	65 MHz non-spread Clock output. Refer to Input & Output Frequency Table for details.
10	CLK4	O	65 MHz Spread Spectrum Clock Output. Refer to Input & Output Frequency Table for details.
11	CLK5	O	65 MHz Spread Spectrum Clock Output. Refer to Input & Output Frequency Table for details.
12	NC	-	No Connection for ASM3P2856A
	SS%	I	Spread percentage selection pin for ASM3P2856B. Refer to Spread Selection Table for details. Has an internal pull down resistor
13	NC	-	No Connection for ASM3P2856A
	SSON	I	Spread spectrum selection. When SSON is HIGH, spread spectrum is enabled and when LOW, it turns off the spread spectrum. Connect the pin to ground When Spread Spectrum feature is not required. Has an internal pull up resistor.
14	GND	P	Ground to entire chip
15	NC	-	No Connection
16	V _{DD}	P	Power supply for the entire Chip

November 2006

rev 0.1

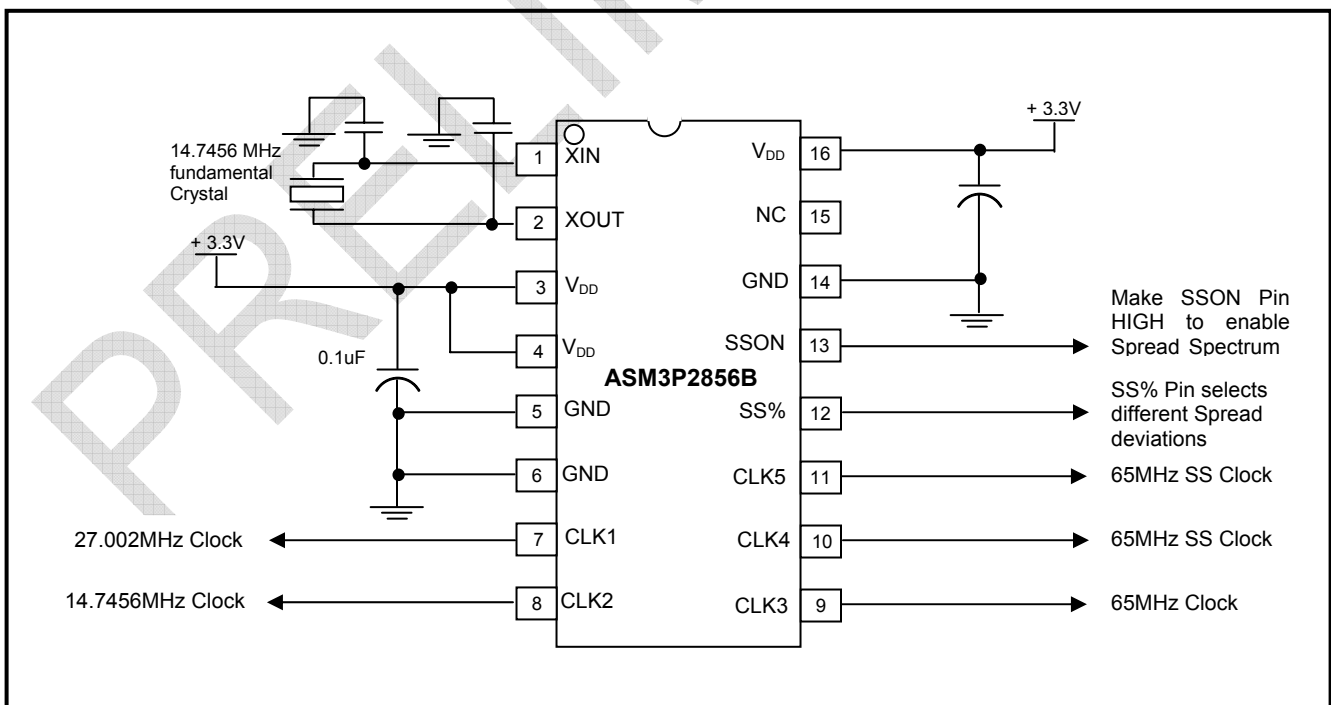
Input & Output Clock Frequency Table

Input Frequency	Output Frequencies		Frequency Accuracy of synthesized clocks
14.7456 MHz	CLK1	27.002 MHz	±20 ppm
	CLK2	14.7456 MHz	Zero ppm
	CLK3	65 MHz Non- Spread clock	±15 ppm
	CLK4	65 MHz Spread Spectrum Clock (+/-0.5 or +/- 1%)	±15 ppm
	CLK5	65 MHz Spread Spectrum Clock (+/-0.5 or +/-1%)	±15 ppm

Spread Selection Table

SS%	Spread Percentage
0	± 1.0%
1	± 1.5%

Typical Application Schematic for LCD Projector



Notice: The information in this document is subject to change without notice.

November 2006

rev 0.1

Absolute Maximum Ratings

Symbol	Parameter	Rating	Unit
VDD	Power Supply Voltage relative to GND	-0.5 to +4.6	V
V _{IN}	Input Voltage relative to GND (Input Pins)	-0.5 to VDD+0.5	
T _{STG}	Storage temperature	-65 to +125	°C
T _A	Operating temperature	0 to 70	°C
T _s	Max. Soldering Temperature (10 sec)	260	°C
T _J	Junction Temperature	150	°C
T _{DV}	Static Discharge Voltage (As per JEDEC STD22- A114-B)	2	KV

Note: These are stress ratings only and are not implied for functional use. Exposure to absolute maximum ratings for prolonged periods of time may affect device reliability.

DC Electrical Characteristics

(Test condition: All parameters are measured at room temperature (+ 25°C) unless otherwise stated)

Symbol	Parameter	Min	Typ	Max	Unit
V _{IL}	Input low voltage	GND - 0.3	-	0.8	V
V _{IH}	Input high voltage	2.0	-	VDD + 0.3	V
I _{IL}	Input low current	-	-	-35	µA
I _{IH}	Input high current	-	-	35	µA
I _{XOL}	XOUT output low current (V _{XOL} @0.4V, VDD=3.3V)	-	3	-	mA
I _{XOH}	XOUT output high current (V _{XOH} @2.5V, VDD=3.3V)	-	3	-	mA
V _{OL}	Output low voltage (VDD = 3.3V, I _{OL} = 10mA)	-	-	0.4	V
V _{OH}	Output high voltage (VDD = 3.3V, I _{OH} = 10mA)	2.5	-	-	V
I _{DD}	Static supply current*	-	TBD	-	µA
I _{CC}	Dynamic supply current (VDD =3.3V)	-	TBD	-	mA
VDD	Operating Voltage	3.0	3.3	3.6	V
t _{ON}	Power-up time (first locked cycle after power-up)	-	-	5	mS
Z _{OUT}	Output impedance	-	TBD	-	Ω

* XIN is pulled low

November 2006

rev 0.1

AC Electrical Characteristics

Symbol	Parameter	Min	Typ	Max	Unit
XIN	Input frequency	-	14.7456	-	MHz
F _{OUT}	Output frequency	CLK1	27.002	-	MHz
		CLK2	14.7456	-	
		CLK3	65	-	
		CLK4 (SS Clock)	65	-	
		CLK5 (SS Clock)	65	-	
f _d	Frequency Deviation (CLK4, CLK5)	For SS% = 0	± 1.0	-	%
		For SS% = 1	± 1.5	-	
t _{LH} *	Output rise time (measured from 0.8 to 2.0V)	-	1.4	-	nS
t _{HL} *	Output fall time (measured at 2.0V to 0.8V)	-	1.2	-	nS
t _{JC}	Jitter (Cycle to cycle)	-	TBD	-	pS
t _D	Output duty cycle	40	50	60	%

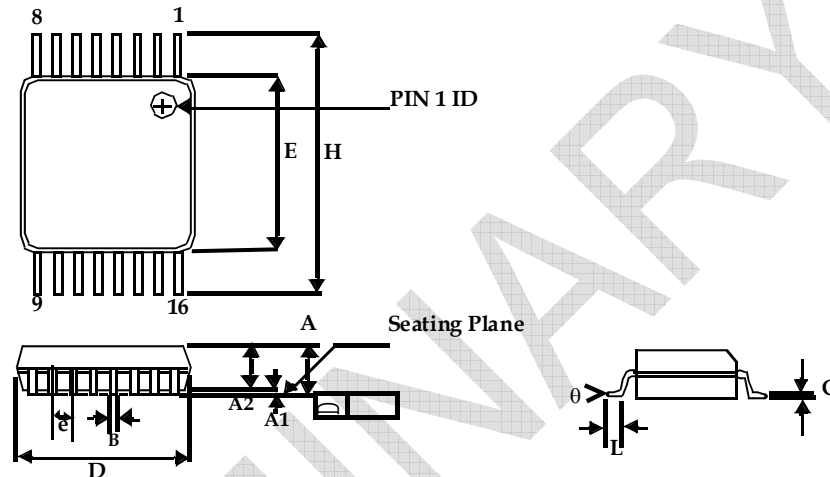
* t_{LH} and t_{HL} are measured into a capacitive load of 15pF

November 2006

rev 0.1

Package Information

16-lead Thin Shrunken Small Outline Package (4.40-MM Body)



Symbol	Dimensions			
	Inches		Millimeters	
	Min	Max	Min	Max
A		0.043		1.20
A1	0.002	0.006	0.05	0.15
A2	0.031	0.041	0.80	1.05
B	0.007	0.012	0.19	0.30
C	0.004	0.008	0.09	0.20
D	0.193	0.201	4.90	5.10
E	0.169	0.177	4.30	4.50
e	0.026 BSC		0.65 BSC	
H	0.252 BSC		6.40 BSC	
L	0.020	0.030	0.50	0.75
θ	0°	8°	0°	8°

November 2006

rev 0.1

Ordering Codes

Ordering Code	Marking	Package Type	Operating Range
ASM3P2856AG-16-TT	3P2856AG	16-pin 4.4-mm TSSOP - TUBE, Green	Commercial
ASM3P2856AG-16-TR	3P2856AG	16-pin 4.4-mm TSSOP - TAPE & REEL, Green	Commercial
ASM3P2856BG-16-TT	3P2856BG	16-pin 4.4-mm TSSOP - TUBE, Green	Commercial
ASM3P2856BG-16-TR	3P2856BG	16-pin 4.4-mm TSSOP - TAPE & REEL, Green	Commercial

Device Ordering Information

A S M 3 P 2 8 5 6 A G - 1 6 - T R

R = Tape & Reel, T = Tube or Tray

O = SOT	U = MSOP
S = SOIC	E = TQFP
T = TSSOP	L = LQFP
A = SSOP	U = MSOP
V = TVSOP	P = PDIP
B = BGA	D = QSOP
Q = OFN	X = SC-70

DEVICE PIN COUNT

F = LEAD FREE AND RoHS COMPLIANT PART
G = GREEN PACKAGE, LEAD FREE, and RoHS

DEVICE NUMBER

X = Automotive (-40C to +125C)	I = Industrial (-40C to +85C)	P or n/c = Commercial (0C to +70C)
--------------------------------	-------------------------------	------------------------------------

1 = Reserved	6 = Power Management
2 = Non PLL based	7 = Power Management
3 = EMI Reduction	8 = Power Management
4 = DDR support products	9 = Hi Performance
5 = STD Zero Delay Buffer	0 = Reserved

PulseCore Semiconductor Mixed Signal Product

Licensed under U.S Patent Nos 5,488,627 and 5,631,921



PulseCore Semiconductor Corporation
1715 S. Bascom Ave Suite 200
Campbell, CA 95008
Tel: 408-879-9077
Fax: 408-879-9018
www.pulsecoresemi.com

Copyright © PulseCore Semiconductor
All Rights Reserved
Preliminary Information
Part Number: ASM3P2856A
ASM3P2856B
Document Version: v0.1

Note: This product utilizes US Patent # 6,646,463 Impedance Emulator Patent issued to PulseCore Semiconductor, dated 11-11-2003

© Copyright 2006 PulseCore Semiconductor Corporation. All rights reserved. Our three-point logo, our name and Intelliwatt are trademarks or registered trademarks of PulseCore. All other brand and product names may be the trademarks of their respective companies. PulseCore reserves the right to make changes to this document and its products at any time without notice. PulseCore assumes no responsibility for any errors that may appear in this document. The data contained herein represents PulseCore's best data and/or estimates at the time of issuance. PulseCore reserves the right to change or correct this data at any time, without notice. If the product described herein is under development, significant changes to these specifications are possible. The information in this product data sheet is intended to be general descriptive information for potential customers and users, and is not intended to operate as, or provide, any guarantee or warranty to any user or customer. PulseCore does not assume any responsibility or liability arising out of the application or use of any product described herein, and disclaims any express or implied warranties related to the sale and/or use of PulseCore products including liability or warranties related to fitness for a particular purpose, merchantability, or infringement of any intellectual property rights, except as express agreed to in PulseCore's Terms and Conditions of Sale (which are available from PulseCore). All sales of PulseCore products are made exclusively according to PulseCore's Terms and Conditions of Sale. The purchase of products from PulseCore does not convey a license under any patent rights, copyrights; mask works rights, trademarks, or any other intellectual property rights of PulseCore or third parties. PulseCore does not authorize its products for use as critical components in life-supporting systems where a malfunction or failure may reasonably be expected to result in significant injury to the user, and the inclusion of PulseCore products in such life-supporting systems implies that the manufacturer assumes all risk of such use and agrees to indemnify PulseCore against all claims arising from such use.