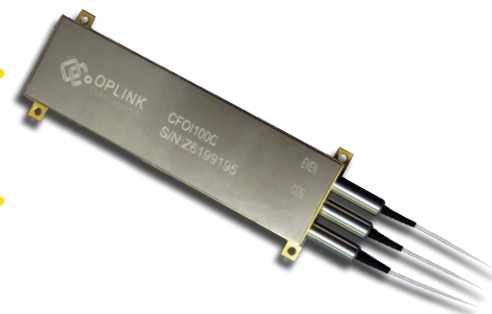


100GHz COMPACT FIBER OPTICAL INTERLEAVER

CFOI 100GHz

Oplink's compact, low-dispersion interleavers greatly expand wavelength channel counts in DWDM systems. Oplink's DWDM interleavers feature excellent wide, flat passbands and high isolation. Both mux and demux functions are supported. Interleavers are athermal and do not require temperature control.



Performance Specifications

Parameter	Min.	Typical	Max.	Unit
Central Wavelength Range (C-band)	1529.55		1561.42	nm
Central Frequency Range (C-band)	192000		196000	GHz
Central Wavelength Range (L-band)	1569.59		1604.03	nm
Central Frequency Range (L-band)	186900		191000	GHz
Channel Center Wavelength		ITU Grid		
Input Channel Spacing		100		GHz
Output Channel Spacing		200		GHz
Clear Bandwidth		+/- 15		GHz
Insertion Loss ¹		1.5	1.8	dB
Ripple		0.2	0.4	dB
Insertion Loss Uniformity		0.3	0.5	dB
Adjacent Channel Isolation	25			dB
Polarization Dependent Loss (PDL)		0.3	0.4	dB
Polarization Mode Dispersion (PMD)		0.2	0.3	ps
Chromatic Dispersion	-20		+20	ps/nm
Return Loss	45	50		dB
Directivity	50	55		dB
Operating Power Handling			24	dBm
Operating Temperature	0		65	°C
Storage Temperature	-40		+85	°C
Fiber Type		Corning SMF-28		
Packaging Dimensions ³		100 (L) x 28 (W) x 12 (H)		mm

Note:

1. The maximum IL is under all states of polarization and within the full operating temperature and wavelength ranges specified.

2. All the parameters are excluding connectors.

3. The mechanical tolerance should be +/-0.2mm on all package dimensions unless otherwise custom specified.

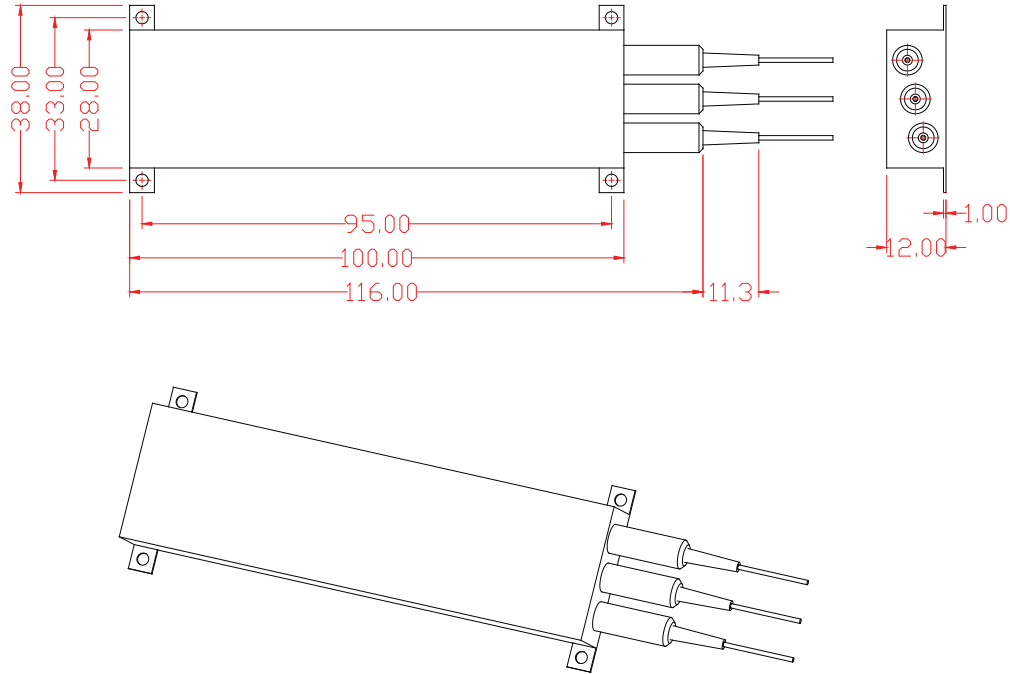
Features

- ◆ Low Insertion Loss
- ◆ High Isolation
- ◆ Low Dispersion
- ◆ Highly Stable & Reliable
- ◆ Epoxy-Free Optical Path
- ◆ Compact Size
- ◆ Completely Passive
- ◆ Athermal Design

Applications

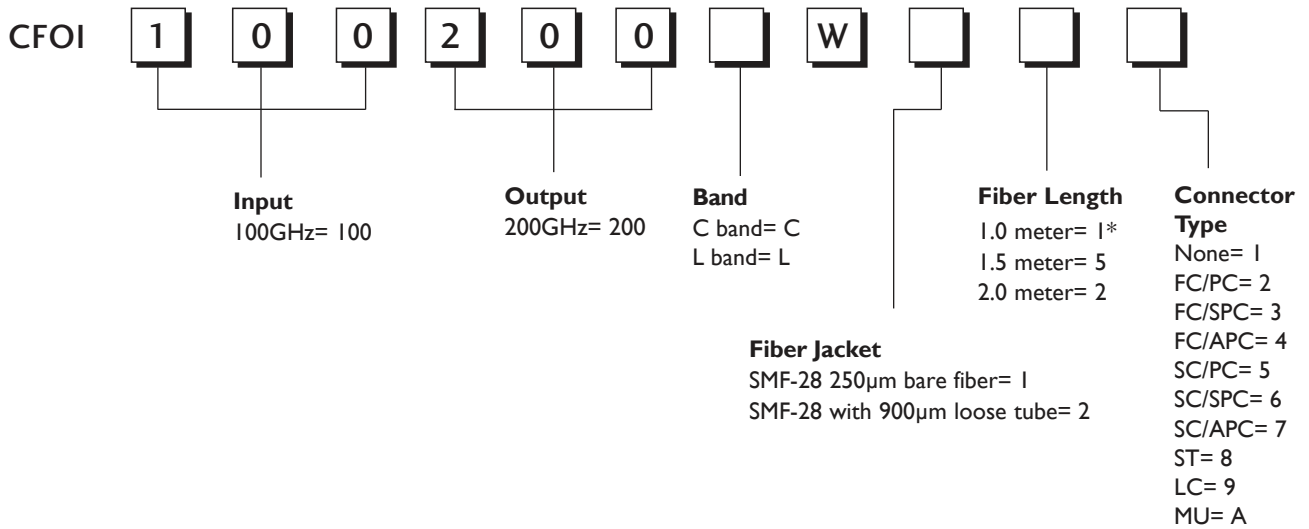
- ◆ DWDM Systems
- ◆ Extend Network Capacity

Mechanical Drawing / Package Dimensions (dimension in mm)



Ordering Information

Oplink can provide a remarkable range of customized optical solutions. For detail, please contact Oplink's OEM design team or account manager for your requirements and ordering information (510) 933-7200.



* The tolerance of fiber length is +/-0.1m. 1 meter is standard. The lead-time for special fiber length will be longer.