

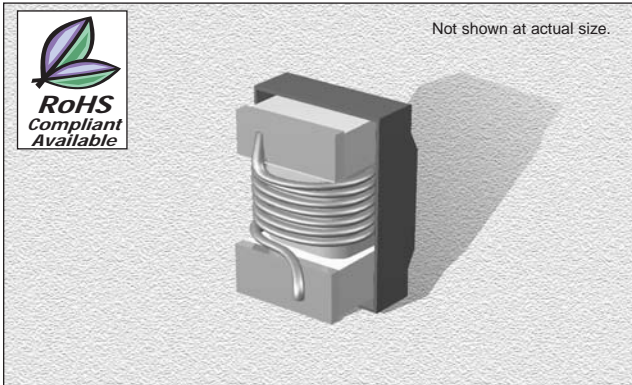
CT0603HC Series

From 1.6 nH to 24 nH

SPECIFICATIONS

Please specify tolerance code when ordering.
 CT0603HC-1N6_ ← G = ±2%, J = ±5%, K = ±10%
 * = J or K only

CT0603HCE Please specify "F" for RoHS compliant



Part Number	Inductance (nH)	L Test Freq. (MHz)	Q Fact. Min.	Q Test Freq. (MHz)	SRF Min. (MHz)	DCR Max. (Ω)	IDC Max. (mA)
CT0603HC_-1N6_*	1.6	250	24	250	12500	.030	2400
CT0603HC_-3N6_*	3.6	250	24	250	5900	.048	2300
CT0603HC_-3N9_*	3.9	250	25	250	5900	.054	2200
CT0603HC_-6N8_*	6.8	250	35	250	5800	.054	2100
CT0603HC_-7N5_*	7.5	250	35	250	3700	.059	2100
CT0603HC_-100_	10	250	38	250	3700	.071	2000
CT0603HC_-120_	12	250	38	250	3000	.075	2000
CT0603HC_-150_	15	250	38	250	2800	.080	1900
CT0603HC_-180_	18	250	40	250	2800	.099	1900
CT0603HC_-220_	22	250	42	250	2400	.099	1800
CT0603HC_-240_	24	250	42	250	2400	.105	1800

PHYSICAL DIMENSIONS

Size	A Max.	B Max.	C Max.	D	E	F	G	H
mm	1.80	1.12	1.02	0.76	0.33	0.86	0.38	1.00
inches	0.071	0.044	0.040	0.030	0.013	0.034	0.015	0.039

CHARACTERISTICS

Description: SMD ceramic core wire-wound chip inductor - high current

Applications: Telecommunication equipment, mobile phones, small size pagers, computers, printers and relevant equipment. Also, audio & video applications and the automotive electronics industry. High frequency applications

Operating Temperature: -40°C to +125°C

Inductance Tolerance: ±2%, ±5%, ±10%

Testing: Inductance and Q are tested on an HP4287A at specified frequency

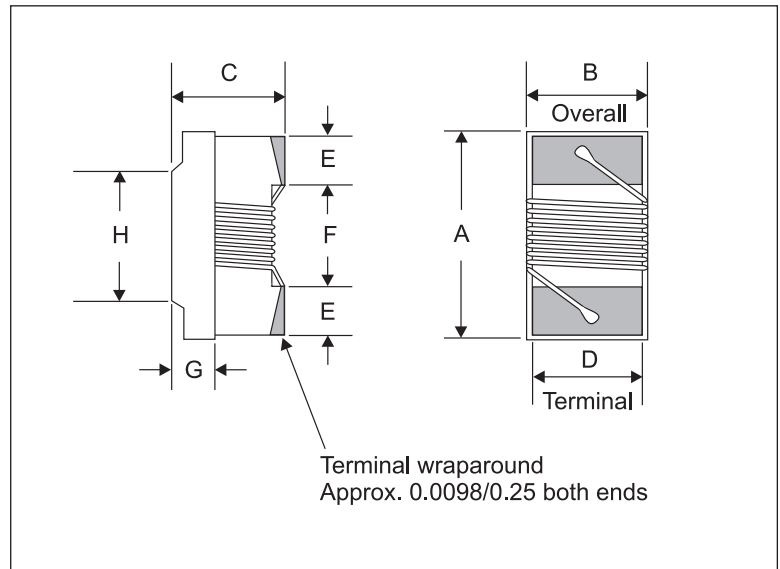
Packaging: Tape & Reel

Miscellaneous: RoHS Compliant available.

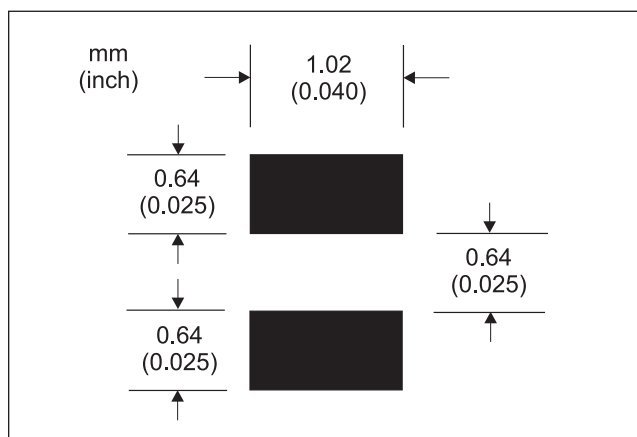
Marking: Reels are marked with inductance code and tolerance

Additional Information: Additional electrical & physical information available upon request

Samples available. See website for ordering information.



PAD LAYOUT



02.11.05