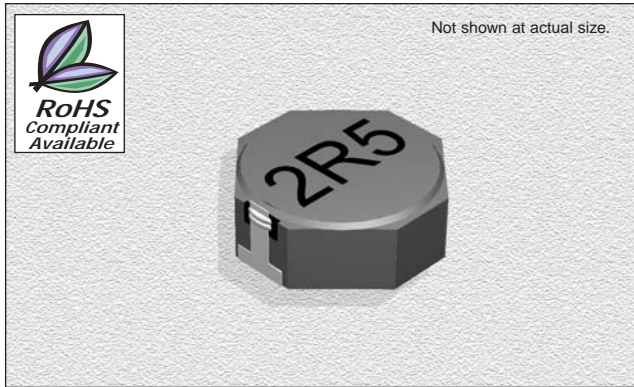


CTCDRH8D43 Series

From 2.5 μ H to 100 μ H



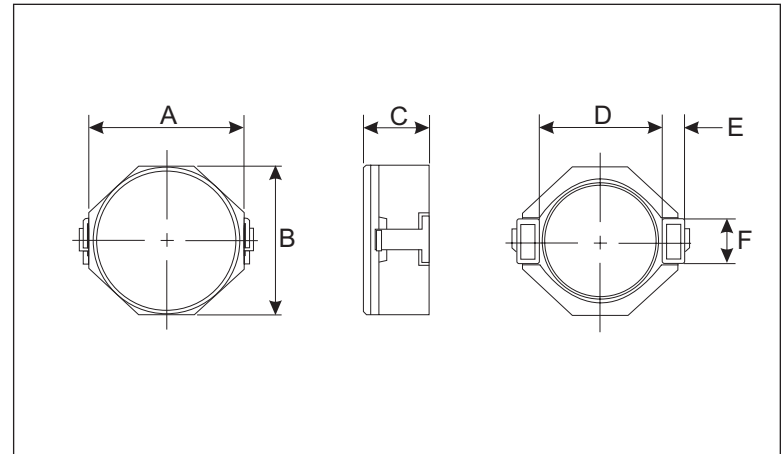
SPECIFICATIONS

Part are available in $\pm 30\%$ inductance tolerance only
 CTCDRH8D43E Please specify "F" for RoHS Compliant

Part Number	Inductance (μ H)	L Test Freq. (kHz)	DCR Max. (m Ω)	Rated DC Current (A)
CTCDRH8D43_-2R5N	2.5	100	14	6.4
CTCDRH8D43_-3R9N	3.9	100	19	5.0
CTCDRH8D43_-4R7N	4.7	100	22	4.6
CTCDRH8D43_-6R8N	6.8	100	25	4.2
CTCDRH8D43_-100N	10	100	36	3.6
CTCDRH8D43_-150N	15	100	53	2.6
CTCDRH8D43_-220N	22	100	75	2.1
CTCDRH8D43_-330N	33	100	125	1.6
CTCDRH8D43_-470N	47	100	150	1.4
CTCDRH8D43_-680N	68	100	240	1.2
CTCDRH8D43_-101N	100	100	360	0.9

PHYSICAL DIMENSIONS

Size	A Max.	B Max.	C Max.	D	E	F
mm	8.3	8.3	4.7	6.3	1.2	2.5
inches	0.327	0.327	0.185	0.248	0.047	0.098



CHARACTERISTICS

Description: SMD (shielded) power inductor

Applications: Power supplies for VTR, OA equipment, LCD televisions, PC notebooks, portable communication equipment, DC/DC converters, etc.

Operating Temperature: -30°C to +100°C

Rated DC Current: Indicates the current when the inductance decreases to 65% over it's nominal value or D.C. current when the temperature rising $\Delta T=40^\circ\text{C}$ lower, whichever is lower.

Inductance Tolerance: $\pm 30\%$

Testing: Tested on a HP4285A at 100 KHz , 0.25Vrms , 0Adc

Packaging: Tape & Reel

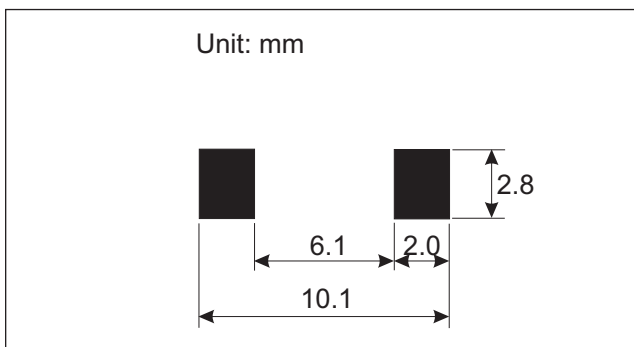
Marking: Parts are marked with inductance code

Miscellaneous: RoHS Compliant available

Additional Information: Additional electrical & physical information available upon request

Samples available. See website for ordering information.

PAD LAYOUT



02.02.06