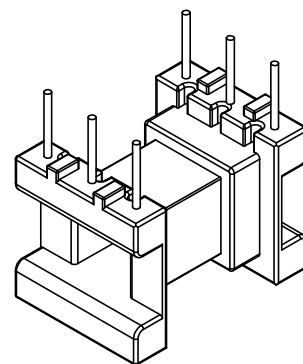
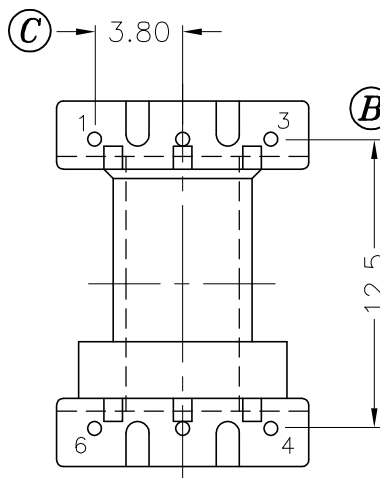
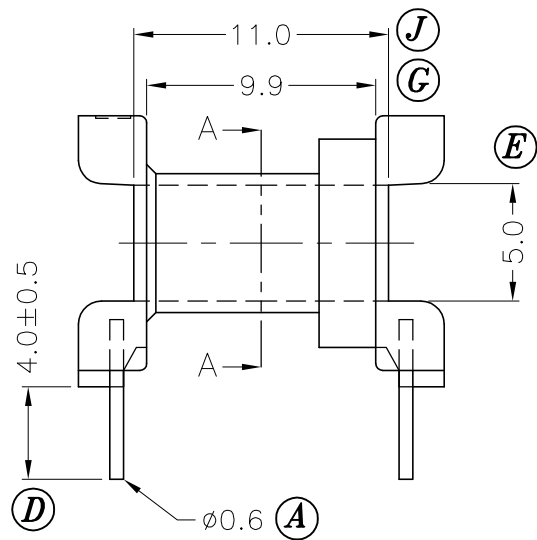
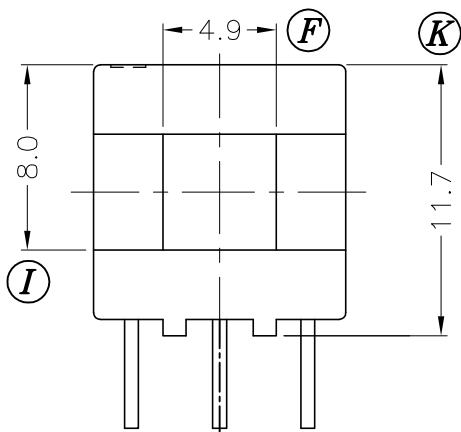
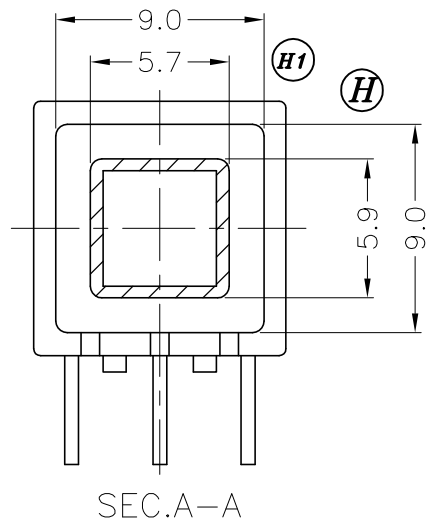
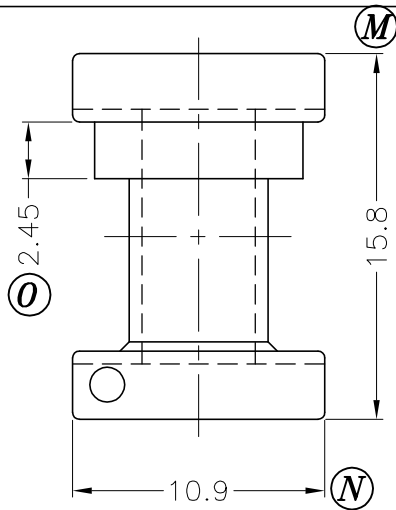


**FERYSTER Inductive Components**

ul. Traugutta 4 , 68-120 Iłowa Poland

http://www.feryster.com.pl e-mail: info@feryster.com.pl



<b>DOSTAWCA:</b>	TOLERANCES		ANGLE:	TITLE: <b>EF16-K-H-6P-SS-M</b>		
	0<L≤4 ±0.1	COPLANARITY 0.1 MAX	±1°	BOBBIN MATERIAL:	UL REC.	
4<L≤16 ±0.2	UNIT:		MM	PHENOLIC PM9820	UL 94V-0	
FERYSTER Inductive Components Tel: +48 68 360 00 76 fax: +48 68 360 00 70	16<L≤63 ±0.3	ORIGIN:	DG	PIN MATERIAL:	PIN TENSION LOAD:	
				CP WIRE	1.5 KG MIN	
				DATE:	DRAWING NO.	REV.
				APR 01.2003	P-1623	1