

**SPECIFICATIONS**

Electrical Ratings	500mA @ 24VDC
Electrical Life	10,000 cycles typical
Contact Resistance	< 50 mΩ initial
Actuation Force	200 +/- 50gF
Actuator Travel	2.2 +/- .1mm
Dielectric Strength	1000Vrms min
Insulation Resistance	> 1000MΩ min
Operating Temperature	-40°C to 85°C
Storage Temperature	-40°C to 85°C



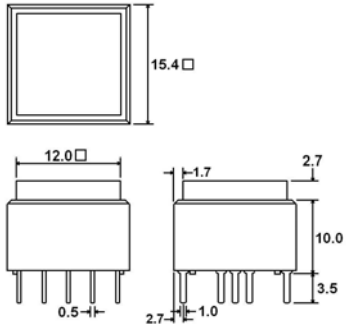
**MATERIALS ←RoHS COMPLIANT**

Actuator Cap	Poly Carbonate (PC)
Actuator Body	Poly Carbonate (PC)
Housing	Polyamide (PA), UL94V-0
Terminal Base	Polyamide (PA), UL94V-0
Contacts	Brass Rivet, Ag or Au plated
Terminals	Brass, Ag or Au plated

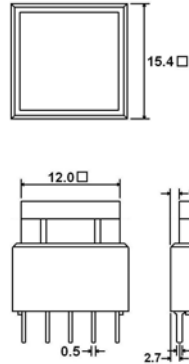
**ORDERING INFORMATION**

1. Series:	JC	V	1	R	G	Q	B	J
JC								
2. Actuator Options:								
S = Square								
H = Extended Square								
R = Rectangle								
V = Square (concave)								
Q = Square (concave)								
PS = Square (panel mount)								
PH = Square (extended square, panel mount)								
3. Number of Poles:								
1 = SPDT								
2 = DPDT								
4. Latching Option:								
Blank = Momentary								
L = Latching <b>**Not available with R actuator</b>								
5. LED (1):								
R = Red      Y = Yellow      W = White								
G = Green      B = Blue								
6. LED (2): <b>**Each switch requires two LED choices. Both LEDs may be the same color.</b>								
R = Red      Y = Yellow      W = White								
G = Green      B = Blue								
7. Contact Material:								
Q = Silver								
R = Gold								
8. Laser Etching Colors:								
Blank = No Laser Etching Color	<b>**Laser etching styles are only available with the V actuators. A colored film is applied to the actuator and is laser etched to allow the LED to shine through the pattern.</b>							
MS =Misty Silver								
B = Black								
9. Laser Etching Styles:								
Blank = No Laser Etching Style								
A    D    G    J								
B    E    H    K								
C    F    I    L								

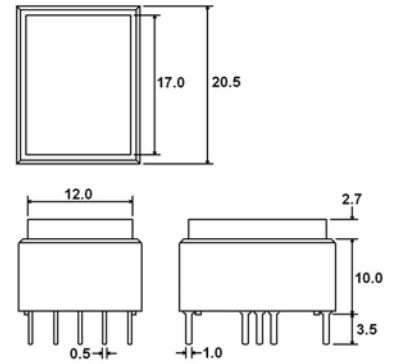
**DIMENSIONS**



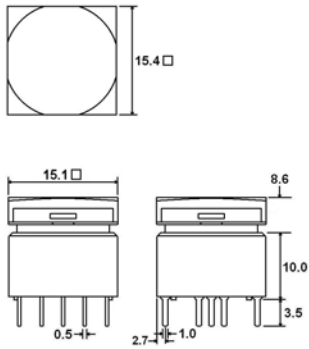
**S - SQUARE**



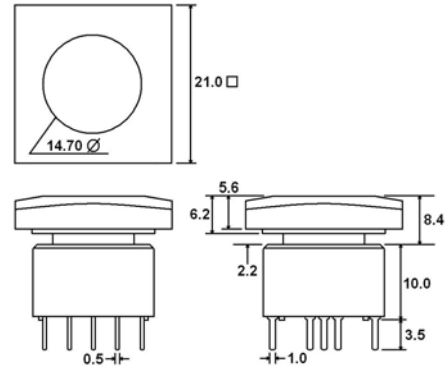
**H - EXTENDED SQUARE**



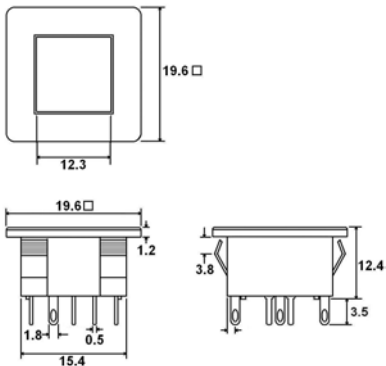
**R - RECTANGLE**



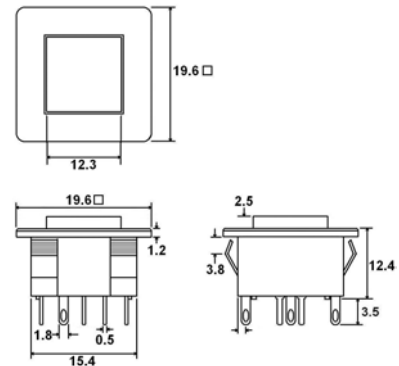
**V - SQUARE (CONCAVE)**



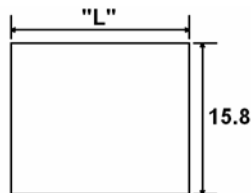
**Q - SQUARE (CONCAVE)**



**PS - PANEL MOUNT (SQUARE)**



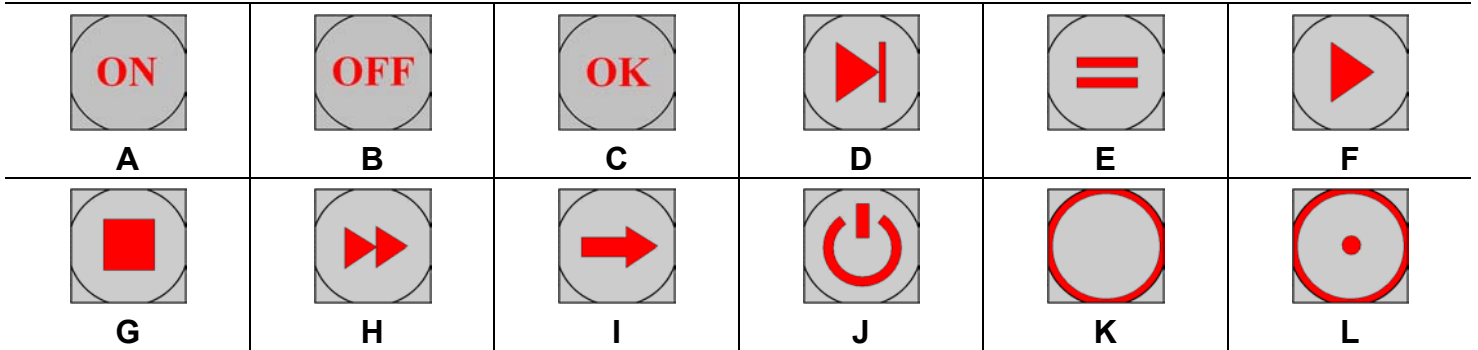
**PH - PANEL MOUNT (EXTENDED SQUARE)**



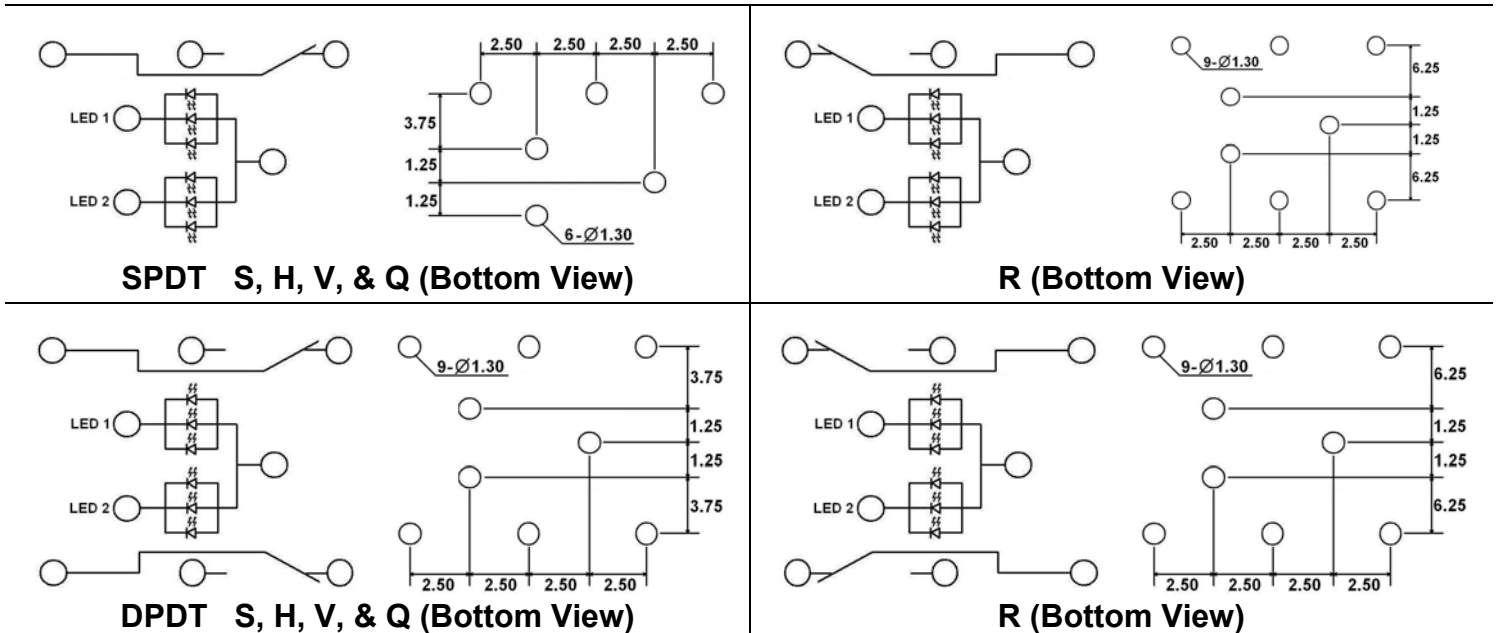
PANEL THICKNESS	"L"
0.75 ~ 1.25mm	18.0 ~ 18.2mm
1.25 ~ 2.0mm	18.2 ~ 18.4mm
2.0 ~ 3.0mm	18.4 ~ 18.6mm

**PANEL MOUNT CUTOUT**

**LASER ETCHING STYLES**



**SCHEMATICS & PC LAYOUTS**



**LED SPECIFICATIONS**

LED Ratings		Value					Units
		R	G	Y	B	W	
Reverse Voltage	$V_R$	5	5	5	5	5	V
Forward Current (avg)	$I_F$	30	30	30	30	30	mA
Forward Current (peak)	$I_{FS}$	100	120	100	100	100	mA
Reverse Current $V_R = 5V$	$I_R$	10	10	10	10	10	$\mu A$
Power Dissipation	$P_T$	100	100	100	120	120	mW
Operating Temperature	$T_A$	-40~ +85					$^{\circ}C$
Storage temperature	$T_{STG}$	-40~ +85					$^{\circ}C$
Forward Voltage (typ.), $I_F = 20mA$	$V_F$	1.7	1.7	1.7	3.5	3.5	V
Forward Voltage (max.), $I_F = 20mA$	$V_F$	2.6	2.6	2.6	4.0	4.0	V
Capacitance, $V_F = 0V, f = 1MHz$	CO	20	20	20	100	100	pF
Wavelength at Peak Emmission, $I_F = 20mA$	$\lambda_P$	697	565	585	470	N/A	nm
Spectral Line Half-Width, $I_F = 20mA$	$\Delta\lambda$	20	20	20	25	N/A	nm
Luminous Intensity, $I_F = 20mA$	LI	171	171	171	450	400	mcd
Viewing Angle	$\Theta$	50	50	50	50	50	Deg