

DESCRIPTION

The 4286 Group is a 4-bit single-chip microcomputer designed with CMOS technology for single-function remote control transmitters. The computer is equipped with an 8-bit timer (has two reload registers) can be set various carrier wave and an 8-bit timer (has a reload register) can be control the carrier wave output automatically.

The various microcomputers in the 4286 Group include variations of type as shown in the table below.

FEATURES

- Number of basic instructions 72
- Minimum instruction execution time 2.0 μ s
(at $f(X_{IN}) = 4.0$ MHz, system clock = $f(X_{IN})/2$)
- Supply voltage 1.8 V to 3.6 V
- Subroutine nesting 4 levels

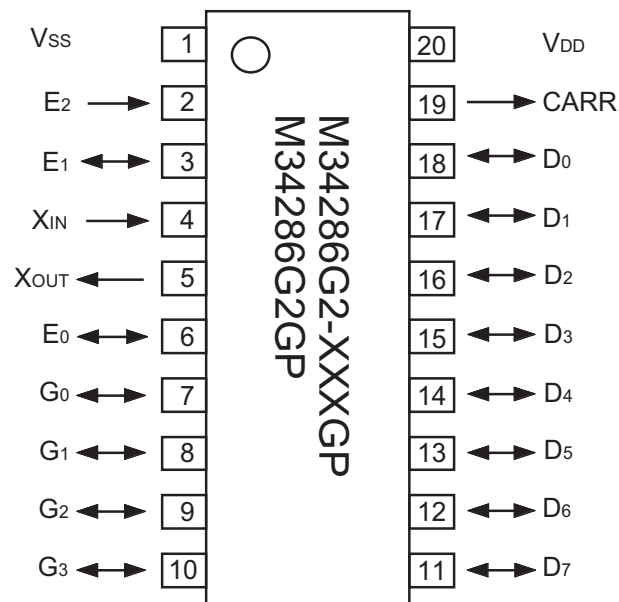
- Timer
 - Timer 1 8-bit timer
(This has a reload register and carrier wave output auto-control function)
 - Timer 2 8-bit timer
(This has two reload registers and carrier wave output function)
- Logic operation function (XOR, OR, AND)
- RAM back-up function
- Key-on wakeup function (ports D₀–D₇, E₀–E₂, G₀–G₃) 15
- I/O port (ports D, E, G, CARR) 16
- Oscillation circuit Ceramic resonance
- Watchdog timer
- Power-on reset circuit
- Voltage drop detection circuit
 - Before CLVD instruction execution
 - Reset occurrence 1.5 V (Ta=25 °C)
 - Reset release 1.7 V (Ta=25 °C)
 - After CLVD instruction execution
 - Reset occurrence/Reset release 1.7 V (Ta=25 °C)

APPLICATION

Consumer remote control transmitters

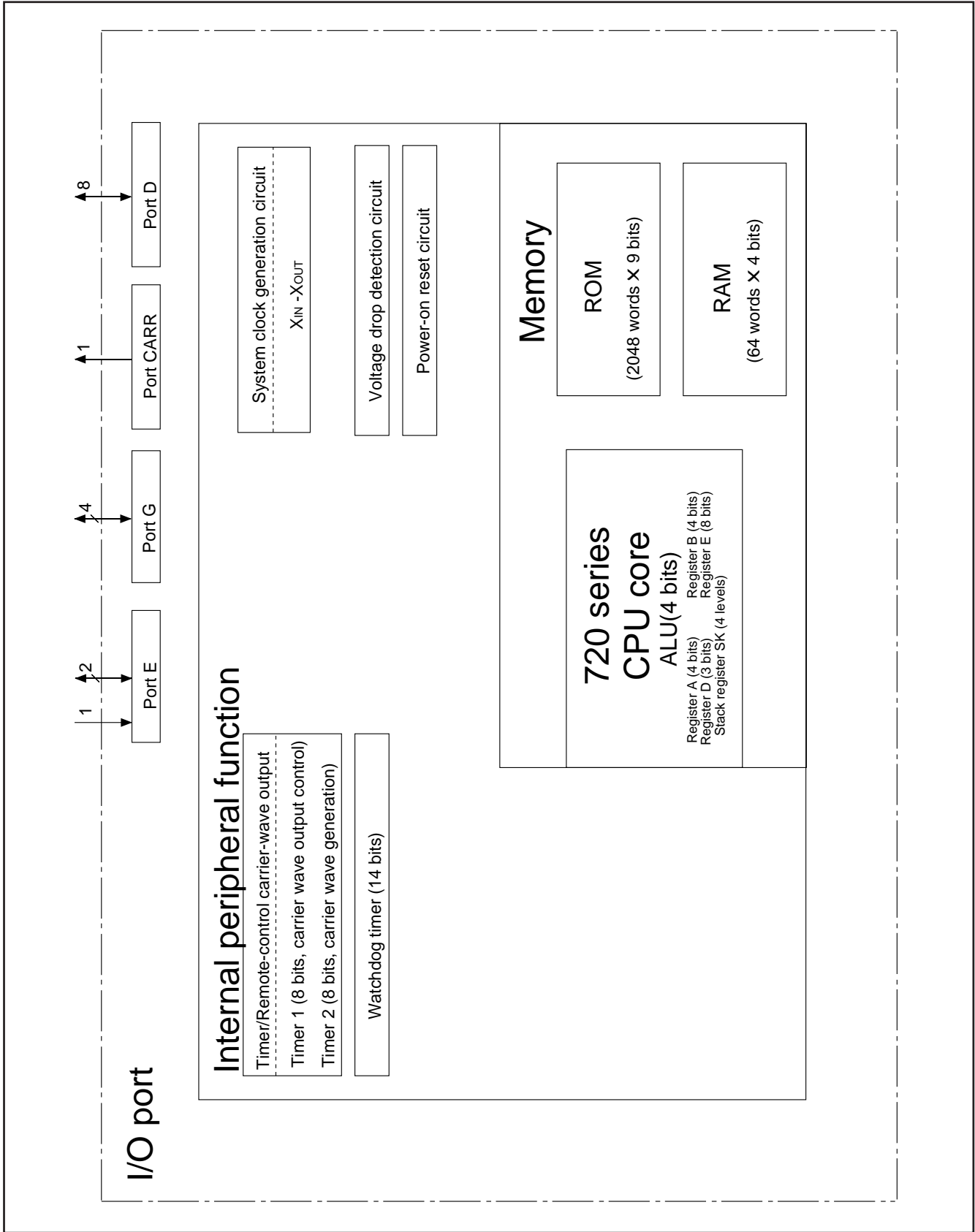
Part number	ROM size (× 9 bits)	RAM size (× 4 bits)	Package	ROM type
M34286G2-XXXGP	2048 words	64 words	PLSP0020JB-A (20P2F-A)	QzROM
M34286G2GP	2048 words	64 words	PLSP0020JB-A (20P2F-A)	QzROM (blank)

PIN CONFIGURATION (TOP VIEW)



Outline: PLSP0020JB-A (20P2F-A)

BLOCK DIAGRAM



PERFORMANCE OVERVIEW

Parameter		Function
Number of basic instructions		72
Minimum instruction execution time		2.0 μ s ($f(X_{IN}) = 4.0$ MHz, system clock = $f(X_{IN})/2$, $V_{DD} = 3.0$ V)
Memory sizes	ROM	2048 words X 9 bits
	RAM	64 words X 4 bits
Input/Output ports	D0–D7 I/O	Eight 1-bit I/O ports with the pull-down function and key-on wakeup function
	E0–E2 I/O	3-bit I/O port with the pull-down function and key-on wakeup function
	G0–G3 I/O	4-bit I/O port with the pull-down function and key-on wakeup function
	CARR Output	1-bit output port; CMOS output
Timer	Timer 1	8-bit timer with a reload register
	Timer 2	8-bit timer with two reload registers
Subroutine nesting		4 levels (However, only 3 levels can be used when the TABP p instruction is executed)
Device structure		CMOS silicon gate
Package		20-pin plastic molded LSSOP (PLSP0020JB-A (20P2F-A))
Operating temperature range		–40 to 85 °C
Supply voltage		1.8 V to 3.6 V
Power dissipation (typical value)	Active mode	400 μ A ($V_{DD} = 3$ V, $STCK=f(X_{IN})/8$, $f(X_{IN}) = 4$ MHz)
	RAM back-up mode	0.1 μ A ($T_a = 25$ °C, $V_{DD} = 3$ V)

PIN DESCRIPTION

Pin	Name	Input/Output	Function
VDD	Power supply	—	Connected to a plus power supply.
VSS	Ground	—	Connected to a 0 V power supply.
XIN	System clock input	Input	I/O pins of the system clock generating circuit. Connect a ceramic resonator between pins XIN and XOUT. The feedback resistor is built-in between pins XIN and XOUT.
XOUT	System clock output	Output	
D0–D7	I/O port D	I/O	1-bit I/O port. For input use, set the latch of the specified bit to “0.” When the built-in pull-down transistor is turned on, the key-on wakeup function using “H” level sense and the pull-down transistor become valid. The output structure is P-channel open-drain.
E0–E2	I/O port E	Output	2-bit (E0, E1) output port. The output structure is P-channel open-drain.
		Input	3-bit input port. For input use (E0, E1), set the latch of the specified bit to “0.” When the built-in pull-down transistor is turned on, the key-on wakeup function using “H” level sense and the pull-down transistor become valid. Port E2 has an input-only port and has a key-on wakeup function using “H” level sense and pull-down transistor.
G0–G3	I/O port G	I/O	4-bit I/O port. For input use, set the latch of the specified bit to “0.” The output structure is P-channel open-drain. When the built-in pull-down transistor is turned on, the key-on wakeup function using “H” level sense and pull-down transistor become valid.
CARR	Carrier wave output for remote control	Output	Carrier wave output pin for remote control. The output structure is CMOS circuit.

CONNECTIONS OF UNUSED PINS

Pin	Connection	Usage condition
D ₀ –D ₇	Open (Set the output latch to “1”).	Pull-down transistor OFF.
	Open (Set the output latch to “0”).	
	Connect to V _{DD} .	Pull-down transistor OFF.
E ₀ , E ₁	Open (Set the output latch to “1”).	Pull-down transistor OFF.
	Open (Set the output latch to “0”).	
	Connect to V _{DD} .	Pull-down transistor OFF.
E ₂	Open.	
	Connect to V _{SS} .	
G ₀ –G ₃	Open (Set the output latch to “1”).	Pull-down transistor OFF.
	Open (Set the output latch to “0”).	
	Connect to V _{DD} .	Pull-down transistor OFF.
CARR	Open.	

(Note when connecting to V_{SS} and V_{DD})

- Connect the unused pins to V_{SS} or V_{DD} at the shortest distance and use the thick wire against noise.

PORT FUNCTION

Port	Pin	Input/ Output	Output structure	Control bits	Control instructions	Control registers	Remark
Port D	D ₀ –D ₇	I/O (8)	P-channel open-drain	1 bit	SD RD CLD SZD	PU1, PU2	Pull-down function and key-on wakeup function (programmable)
Port E	E ₀ E ₁	I/O (2)	P-channel open-drain	Output: 2 bits Input: 3 bits	OEA IAE	PU0	Pull-down function and key-on wakeup function (programmable)
	E ₂	Input (1)		IAE			
Port G	G ₀ –G ₃	I/O (4)	P-channel open-drain	4 bits	OGA IAG	PU0	Pull-down function and key-on wakeup function (programmable)
Port CARR	CARR	Output (1)	CMOS	1 bit	SCAR RCAR		

DEFINITION OF CLOCK AND CYCLE

- System clock (STCK)

The system clock is the source clock for controlling this product. It can be selected as shown below whether to use the Oscillation dividing instruction.

CCK, CCK2, or CCK4 instruction can be executed only once. After one of their instruction is executed once, the operation is same as the NOP instruction though the same or another frequency dividing instruction is executed.

The system clock returns to its initial state ($f(X_{IN})/8$) when system is returned from RAM back-up mode.

- Instruction clock (INSTCK)

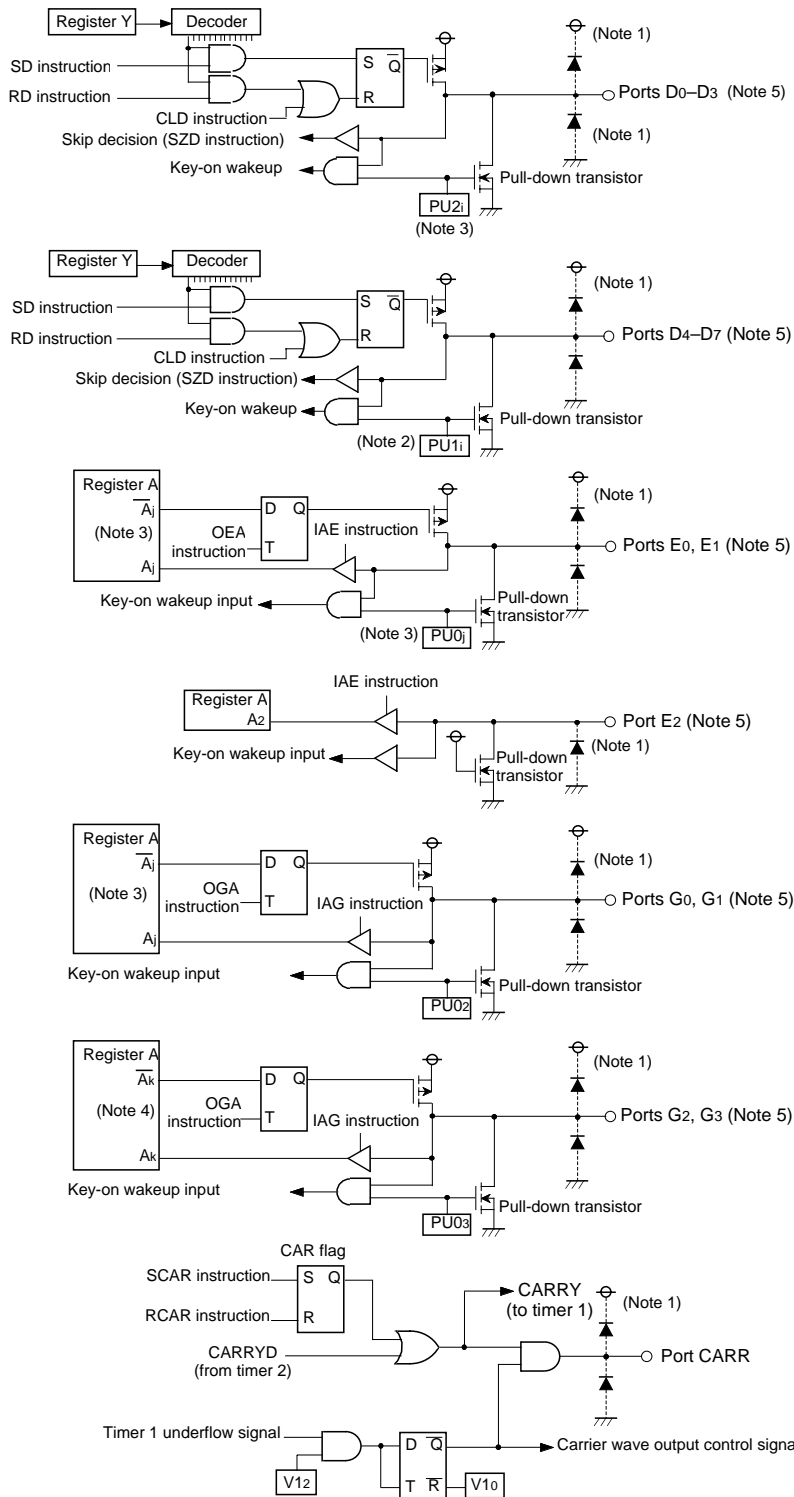
The instruction clock is a signal derived by dividing the system clock by 4, and is the basic clock for controlling CPU. The one instruction clock cycle is equivalent to one machine cycle.

- Machine cycle

The machine cycle is the cycle required to execute the instruction.

Oscillation dividing instruction	System clock	Instruction clock
No use	$f(X_{IN})/8$	$f(X_{IN})/32$
CCK used	$f(X_{IN})$	$f(X_{IN})/4$
CCK2 used	$f(X_{IN})/2$	$f(X_{IN})/8$
CCK4 used	$f(X_{IN})/4$	$f(X_{IN})/16$

PORT BLOCK DIAGRAMS



- Notes 1: This symbol represents a parasitic diode.
 2: i represents bits 0 to 3.
 3: j represents bits 0, 1.
 4: k represents bits 2, 3.
 5: Applied voltage must be less than VDD.

**FUNCTION BLOCK OPERATIONS
CPU**

(1) Arithmetic logic unit (ALU)

The arithmetic logic unit ALU performs 4-bit arithmetic such as 4-bit data addition, comparison, and bit manipulation.

(2) Register A and carry flag

Register A is a 4-bit register used for arithmetic, transfer, exchange, and I/O operation.

Carry flag CY is a 1-bit flag that is set to "1" when there is a carry with the AMC instruction (Figure 1).

It is unchanged with both A n instruction and AM instruction. The value of A₀ is stored in carry flag CY with the RAR instruction (Figure 2).

Carry flag CY can be set to "1" with the SC instruction and cleared to "0" with the RC instruction.

(3) Registers B and E

Register B is a 4-bit register used for temporary storage of 4-bit data, and for 8-bit data transfer together with register A.

Register E is an 8-bit register. It can be used for 8-bit data transfer with register B used as the high-order 4 bits and register A as the low-order 4 bits (Figure 3).

(4) Register D

Register D is a 3-bit register.

It is used to store a 7-bit ROM address together with register A and is used as a pointer within the specified page when the TABP p, BLA p, or BMLA p instruction is executed (Figure 4).

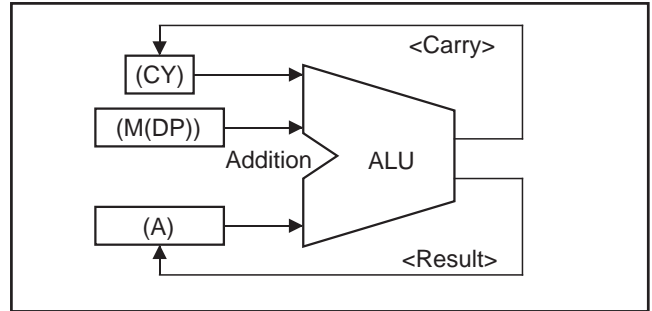


Fig. 1 AMC instruction execution example

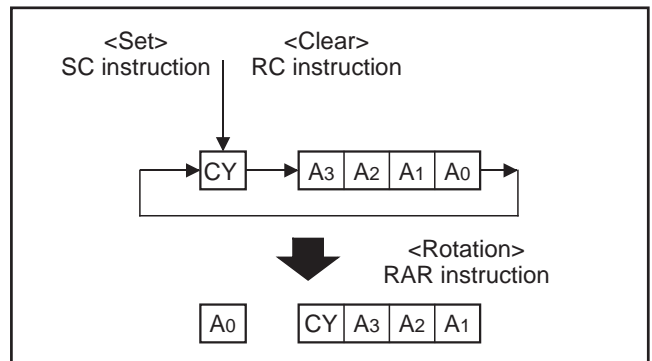


Fig. 2 RAR instruction execution example

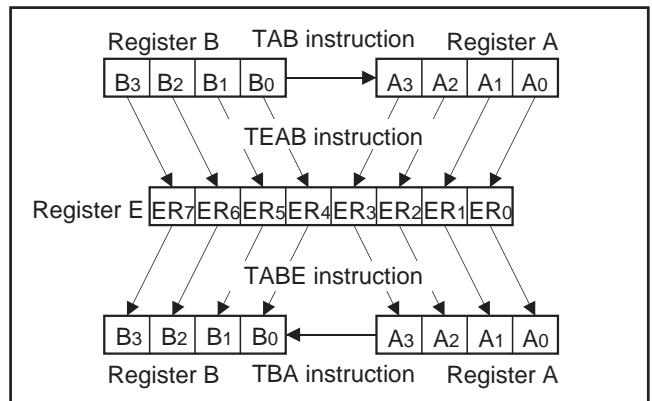


Fig. 3 Registers A, B and register E

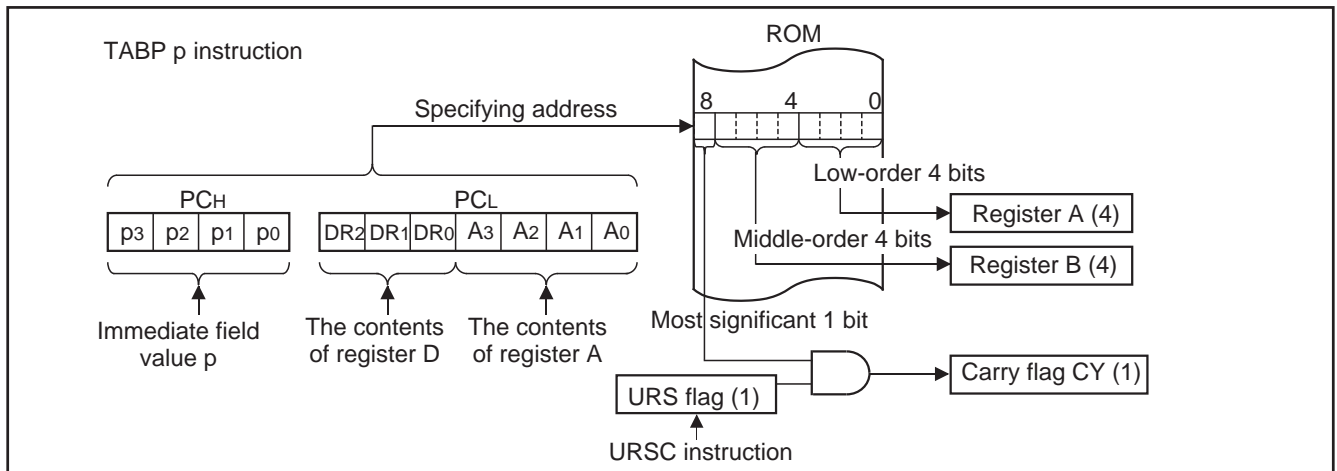


Fig. 4 TABP p instruction execution example

(5) Most significant ROM code reference enable flag (URS)

URS flag controls whether to refer to the contents of the most significant 1 bit (bit 8) of ROM code when executing the TABP p instruction. If URS flag is "0," the contents of the most significant 1 bit of ROM code is not referred even when executing the TABP p instruction. However, if URS flag is "1," the contents of the most significant 1 bit of ROM code is set to flag CY when executing the TABP p instruction (Figure 4). URS flag is "0" after system is released from reset and returned from RAM back-up mode. It can be set to "1" with the URSC instruction, but cannot be cleared to "0."

(6) Stack registers (SKs) and stack pointer (SP)

Stack registers (SKs) are used to temporarily store the contents of program counter (PC) just before branching until returning to the original routine when;

- performing a subroutine call, or
- executing the table reference instruction (TABP p).

Stack registers (SKs) are four identical registers, so that subroutines can be nested up to 4 levels. However, one of stack registers is used when executing a table reference instruction. Accordingly, be careful not to over the stack. The contents of registers SKs are destroyed when 4 levels are exceeded.

The register SK nesting level is pointed automatically by 2-bit stack pointer (SP).

Figure 5 shows the stack registers (SKs) structure.

Figure 6 shows the example of operation at subroutine call.

(7) Skip flag

Skip flag controls skip decision for the conditional skip instructions and continuous described skip instructions.

Note : The 4286 Group just invalidates the next instruction when a skip is performed. The contents of program counter is not increased by 2. Accordingly, the number of cycles does not change even if skip is not performed. However, the cycle count becomes "1" if the TABP p, RT, or RTS instruction is skipped.

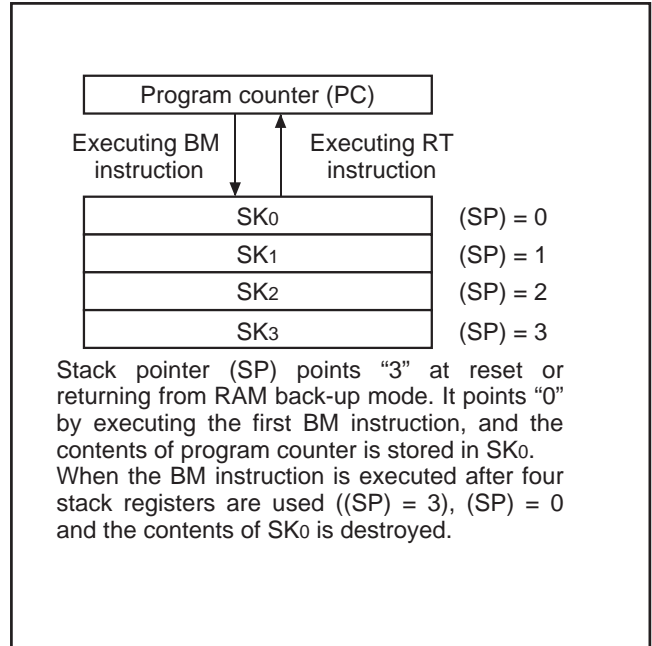


Fig. 5 Stack registers (SKs) structure

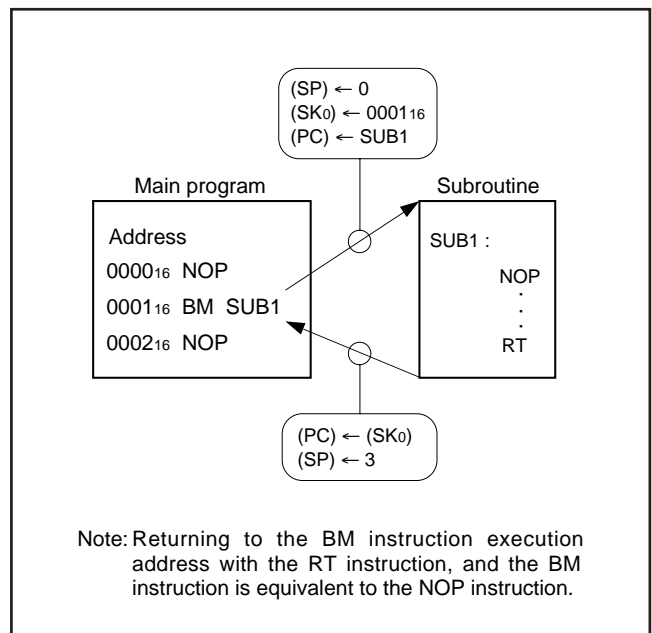


Fig. 6 Example of operation at subroutine call

(8) Program counter (PC)

Program counter (PC) is used to specify a ROM address (page and address). It determines a sequence in which instructions stored in ROM are read. It is a binary counter that increments the number of instruction bytes each time an instruction is executed. However, the value changes to a specified address when branch instructions, subroutine call instructions, return instructions, or the table reference instruction (TABP p) is executed.

Program counter consists of PC_H (most significant bit to bit 7) which specifies to a ROM page and PC_L (bits 6 to 0) which specifies an address within a page. After it reaches the last address (address 127) of a page, it specifies address 0 of the next page (Figure 7).

Make sure that the PC_H does not exceed after the last page of the built-in ROM.

(9) Data pointer (DP)

Data pointer (DP) is used to specify a RAM address and consists of registers X and Y. Register X specifies a file and register Y specifies a RAM digit (Figure 8).

Register Y is also used to specify the port D bit position. When using port D, set the port D bit position to register Y certainly and execute the SD, RD, or SZD instruction (Figure 9).

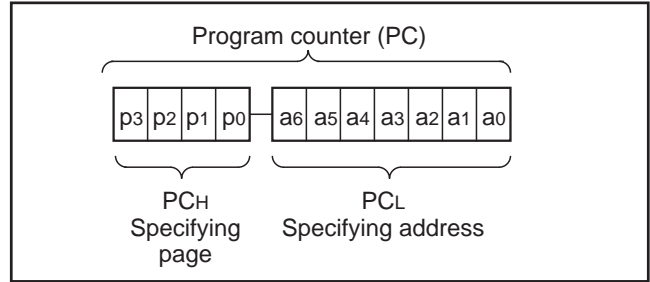


Fig. 7 Program counter (PC) structure

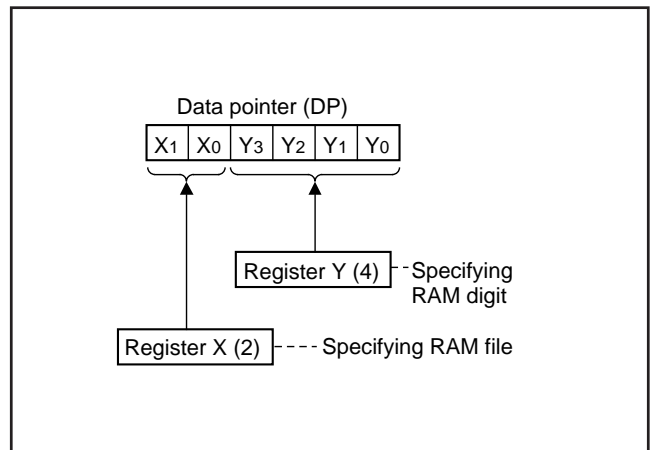


Fig. 8 Data pointer (DP) structure

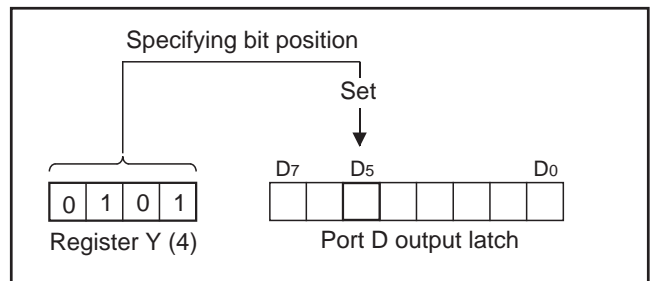


Fig. 9 SD instruction execution example

PROGRAM MEMORY (ROM)

The program memory is a mask ROM. 1 word of ROM is composed of 9 bits. ROM is separated every 128 words by the unit of page (addresses 0 to 127).

Table 1 ROM size and pages

Part number	ROM size (X 9 bits)	Pages
M34286G2	2048 words	16 (0 to 15)

Page 2 (addresses 0100₁₆ to 017F₁₆) is the special page for subroutine calls. Subroutines written in this page can be called from any page with the 1-word instruction (BM). Subroutines extending from page 2 to another page can also be called with the BM instruction when it starts on page 2.

ROM pattern of all addresses can be used as data areas with the TABP p instruction.

DATA MEMORY (RAM)

1 word of RAM is composed of 4 bits, but 1-bit manipulation (with the SB j, RB j, and SZB j instructions) is enabled for the entire memory area. A RAM address is specified by a data pointer. The data pointer consists of registers X and Y. Set a value to the data pointer certainly when executing an instruction to access RAM.

Table 2 shows the RAM size. Figure 11 shows the RAM map.

Table 2 RAM size

Part number	RAM size
M34286G2	64 words X 4 bits (256 bits)

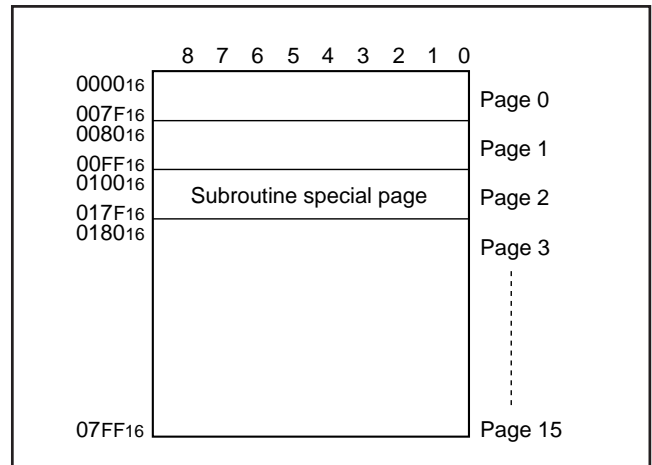


Fig. 10 ROM map of M34286G2

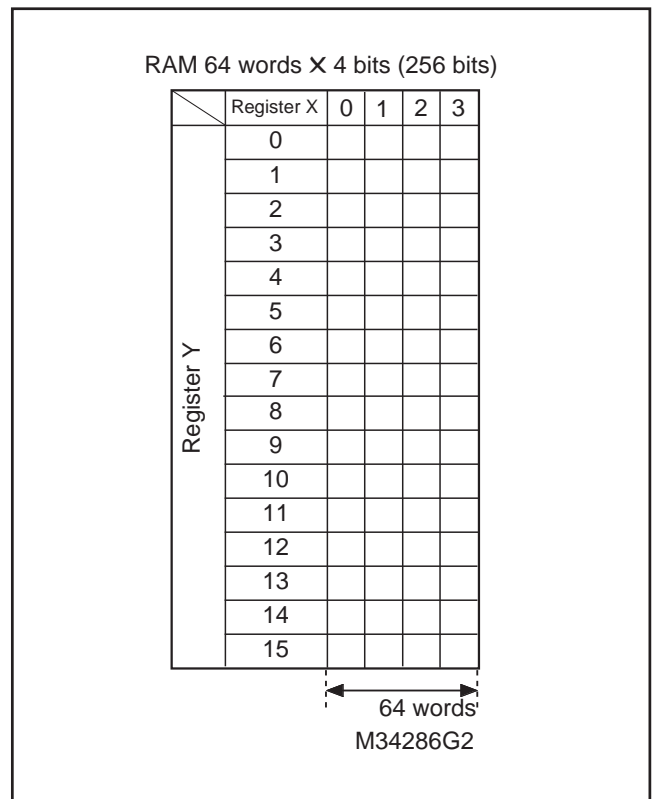


Fig. 11 RAM map

TIMERS

The 4286 Group has the programmable timer.

- Programmable timer

The programmable timer has a reload register and enables the frequency dividing ratio to be set. It is decremented from a setting value n . When it underflows (count to $n + 1$), a timer 1 underflow flag is set to "1," new data is loaded from the reload register, and count continues (auto-reload function).

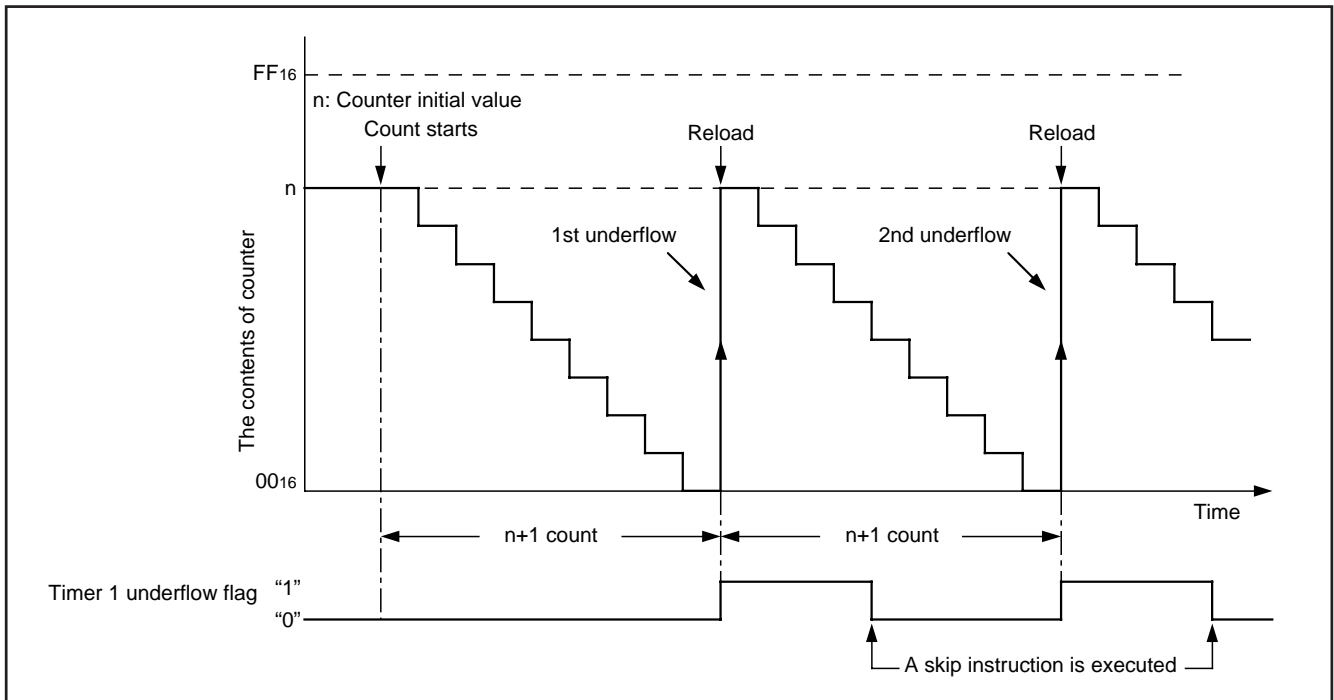


Fig. 12 Auto-reload function

The 4286 Group timer consists of the following circuit.

- Timer 1 : 8-bit programmable timer
- Timer 2 : 8-bit programmable timer

These timers can be controlled with the timer control registers V1 and V2.

Each timer function is described below.

Table 3 Function related timer

Circuit	Structure	Count source	Frequency dividing ratio	Use of output signal	Control register
Timer 1	8-bit programmable binary down counter	<ul style="list-style-type: none"> • Carrier wave output (CARRY) • Bit 5 of watchdog timer 	1 to 256	<ul style="list-style-type: none"> • Carrier wave output control 	V1
Timer 2	8-bit programmable binary down counter	<ul style="list-style-type: none"> • $f(X_{IN})$ • $f(X_{IN})/2$ 	1 to 256	<ul style="list-style-type: none"> • Carrier wave output 	V2
14-bit timer	14-bit fixed frequency	<ul style="list-style-type: none"> • Instruction clock 	16384	<ul style="list-style-type: none"> • Watchdog timer • Timer 1 count source 	

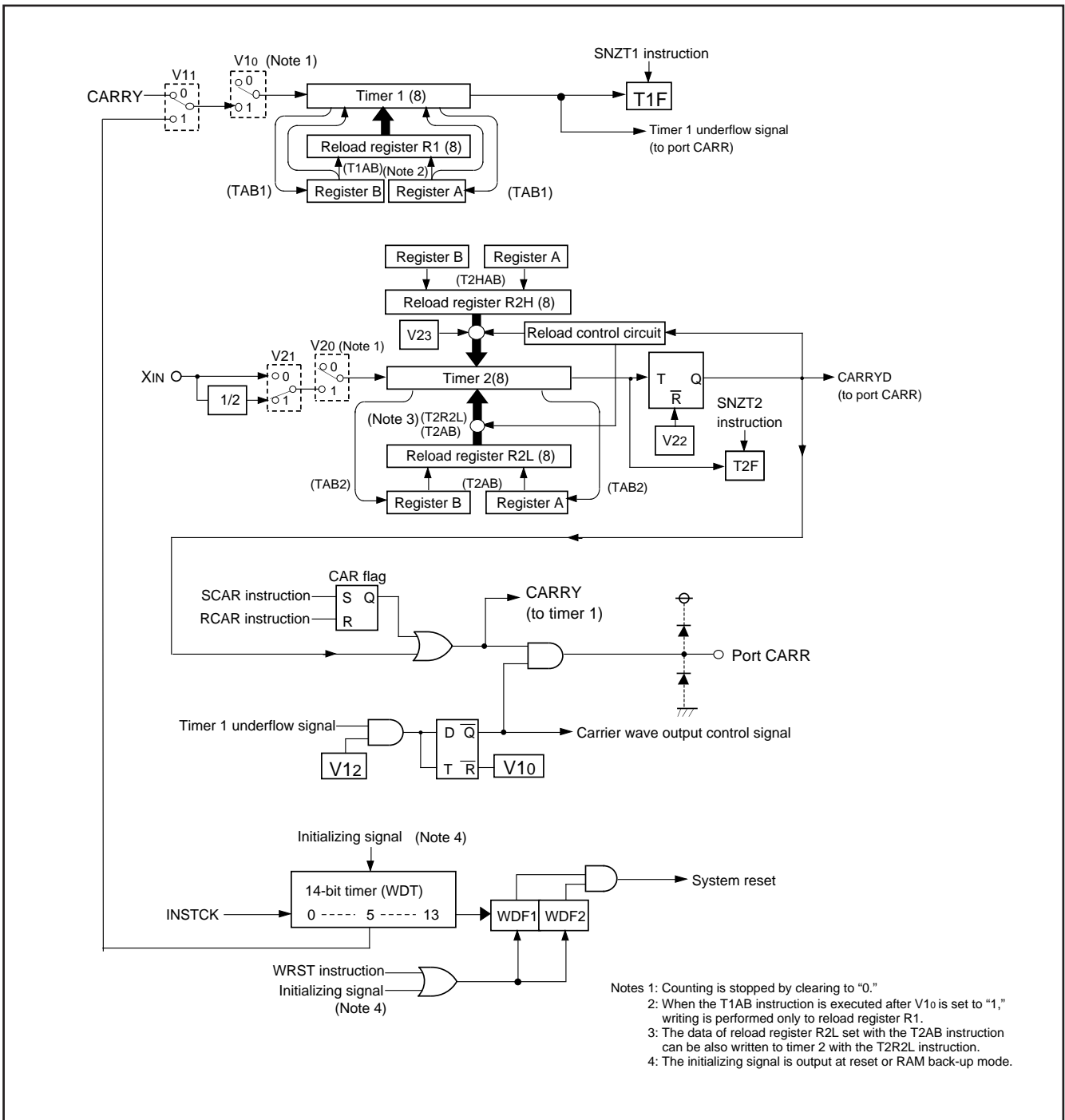


Fig. 13 Timers structure

Table 4 Control registers related to timer

Timer control register V1		at reset : 000 ₂	at RAM back-up : 000 ₂	W
V1 ₂	Carrier wave output auto-control bit	0	Auto-control output by timer 1 is invalid	
		1	Auto-control output by timer 1 is valid	
V1 ₁	Timer 1 count source selection bit	0	Carrier wave output (CARRY)	
		1	Bit 5 of watchdog timer (WDT)	
V1 ₀	Timer 1 control bit	0	Stop (Timer 1 state retained)	
		1	Operating	

Timer control register V2		at reset : 0000 ₂	at RAM back-up : 0000 ₂	W
V2 ₃	Carrier wave "H" interval expansion bit	0	To expand "H" interval is invalid	
		1	To expand "H" interval is valid (when V2 ₂ =1 selected)	
V2 ₂	Carrier wave generation function control bit	0	Carrier wave generation function invalid	
		1	Carrier wave generation function valid	
V2 ₁	Timer 2 count source selection bit	0	f(X _{IN})	
		1	f(X _{IN})/2	
V2 ₀	Timer 2 control bit	0	Stop (Timer 2 state retained)	
		1	Operating	

Note: "W" represents write enabled.

(1) Control registers related to timer

- Timer control register V1
Register V1 controls the timer 1 count source and auto-control function of carrier wave output from port CARR by timer 1. Set the contents of this register through register A with the TV1A instruction.
- Timer control register V2
Register V2 controls the timer 2 count source and the carrier wave generation function by timer. Set the contents of this register through register A with the TV2A instruction.

(2) Precautions

Note the following for the use of timers.

- Count source
Stop timer 1 or timer 2 counting to change its count source.
- Reading the count value
Stop timer 1 or 2 counting and then execute the data read instruction (TAB1, TAB2) to read its data.
- Watchdog timer
Be sure that the timing to execute the WRST instruction in order to operate WDT efficiently.
- Writing to reload register R1
When writing data to reload register R1 while timer 1 is operating, avoid a timing when timer 1 underflows.
- Timer 1 count operation
When the bit 5 of the watchdog timer (WDT) is selected as the timer 1 count source, the error of maximum $\pm 64 \mu\text{s}$ (at the minimum instruction execution time : $2 \mu\text{s}$) is generated from timer 1 start until timer 1 underflow. When programming, be careful about this error.
- Stop of timer 2
Avoid a timing when timer 2 underflows to stop timer 2.
- Writing to reload register R2H
When writing data to reload register R2H while timer 2 is operating, avoid a timing when timer underflows.

- Timer 2 carrier wave output function
When to expand "H" interval of carrier wave is valid, set "1" or more to reload register R2H.
- Timer 1 and timer 2 carrier wave output function
Count starts from the rising edge ② in Fig. 14 after the first falling edge of the count source, after timer 1 and timer 2 operations start ① in Fig. 14. Time to first underflow ③ in Fig. 14 is different from time among next underflow ④ in Fig. 14 by the timing to start the timer and count source operations after count starts.

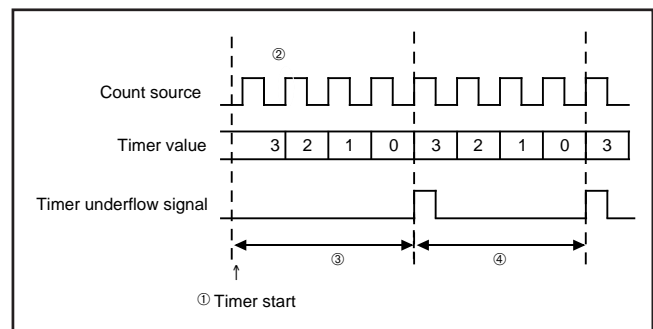


Fig. 14 Count start time and count time when operation starts (T1, T2)

(3) Timer 1

Timer 1 is an 8-bit binary down counter with the timer 1 reload register (R1).

When timer is stopped, data can be set simultaneously in timer 1 and the reload register (R1) with the T1AB instruction.

When timer is operating, data can be set to only reload register R1 with the T1AB instruction.

When setting the next count data to reload register R1 at operating, set data before timer 1 underflows.

Timer 1 starts counting after the following process;

- ① set data in timer 1,
- ② select the count source with the bit 1 of register V1, and
- ③ set the bit 0 of register V1 to "1."

Once count is started, when timer 1 underflows (the next count pulse is input after the contents of timer 1 becomes "0"), the timer 1 underflow flag (T1F) is set to "1," new data is loaded from reload register R1, and count continues (auto-reload function).

When a value set in reload register R1 is n , timer 1 divides the count source signal by $n + 1$ ($n = 0$ to 255).

When the bit 2 of register V1 is set to "1," the carrier wave output enable/disable interval of port CARR is alternately generated each timer 1 underflows (Figure 15).

Data can be read from timer 1 to registers A and B. When reading the data, stop the counter and then execute the TAB1 instruction.

(4) Timer 2

Timer 2 is an 8-bit binary down counter with the timer 2 reload registers (R2H and R2L).

Data can be set simultaneously in timer 2 and the reload register (R2L) with the T2AB instruction.

The contents of reload register (R2L) set with the T2AB instruction can be set again to timer 2 with the T2R2L instruction. Data can be set to reload register (R2H) with the T2HAB instruction.

Timer 2 starts counting after the following process;

- ① set data in timer 2,
- ② select the count source with the bit 1 of register V2, and
- ③ select the valid/invalid of the carrier wave generation function by bit 2 of register V1 (when this function is valid, select the valid/invalid of the carrier wave "H" interval expansion by bit 3), and
- ④ set the bit 0 of register V1 to "1."

When the carrier wave generation function is invalid ($V2_2="0"$), the following operation is performed;

Once count is started, when timer 2 underflows (the next count pulse is input after the contents of timer 2 becomes "0"), the timer 2 underflow flag (T2F) is set to "1," new data is loaded from reload register R2L, and count continues (auto-reload function).

When a value set in reload register R2L is n , timer 2 divides the count source signal by $n + 1$ ($n = 0$ to 255).

When the carrier wave generation function is valid ($V2_2="1"$), the carrier wave which has the "L" interval set to the reload register R2L and "H" interval set to the reload register R2H can be output (Figure 16).

After the count of the "L" interval of carrier wave is started, timer 2 underflows and the timer 2 underflow flag (T2F) is set

to "1". Then, the "H" interval data of carrier wave is reloaded from the reload register R2H, and count continues.

When timer underflows again after auto-reload, the T2F flag is set to "1". And then, the "L" interval data of carrier wave is reloaded from the reload register R2L, and count continues. After that, each timer underflows, data is reloaded from reload register R2H and R2L alternately.

When a value set in reload register R2H is n , "H" interval of carrier wave is as follows;

- ① When to expand "H" interval is invalid ($V2_3="0"$),
Count source $X(n+1)$, $n = 0$ to 255
- ② When to expand "H" interval is valid ($V2_3="1"$),
Count source $X(n+1.5)$, $n = 1$ to 255

When a value set in reload register R2L is m , "L" interval of carrier wave is as follows;

Count source $X(m+1)$, $m = 0$ to 255

Data can be read from timer 2 to registers A and B. When reading the data, stop the counter and then execute the TAB2 instruction.

(5) Timer underflow flags (T1F, T2F)

Timer 1 underflow flag or timer 2 underflow flag is set to "1" when the timer 1 or timer 2 underflows. The state of flags T1F and T2F can be examined with the skip instruction (SNZT1, SNZT2).

Flags T1F and T2F are cleared to "0" when the next instruction is skipped with a skip instruction.

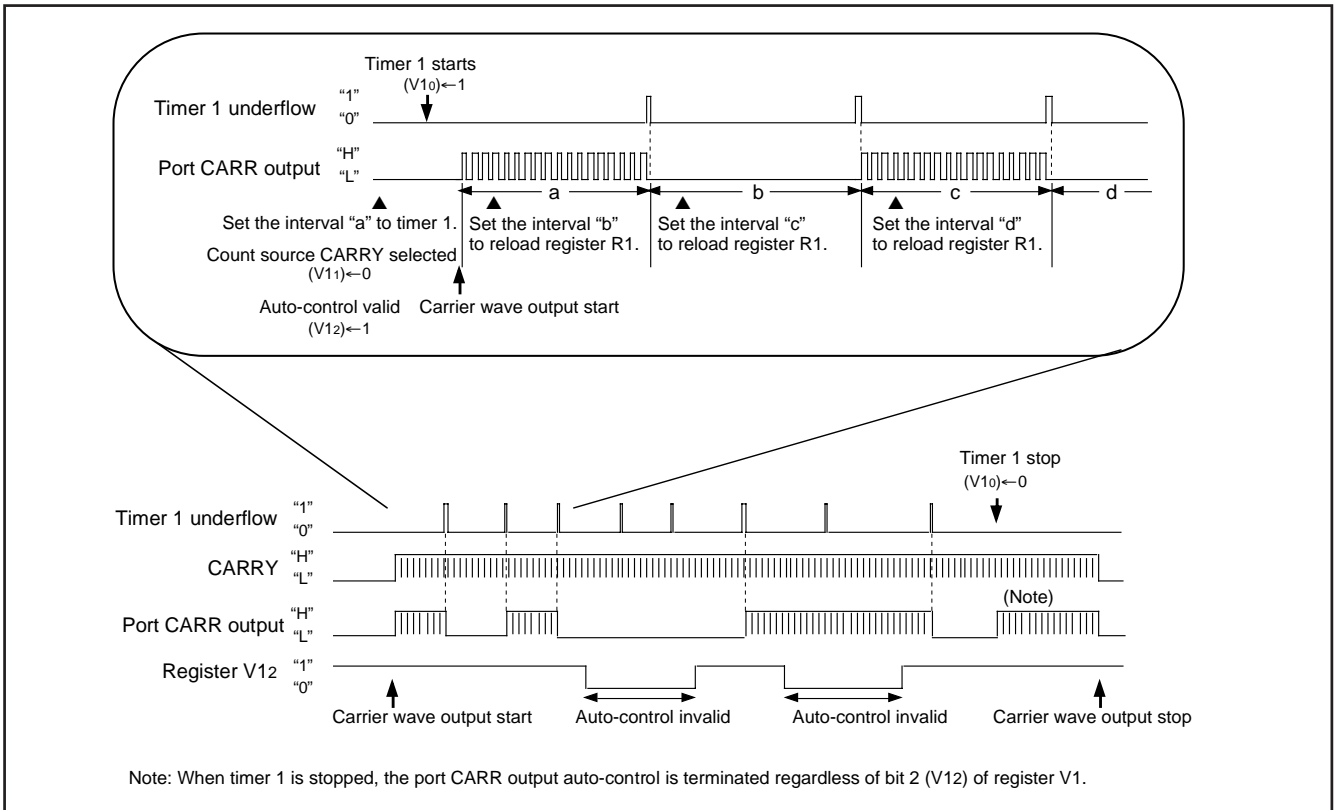


Fig. 15 Port CARR output control by timer 1

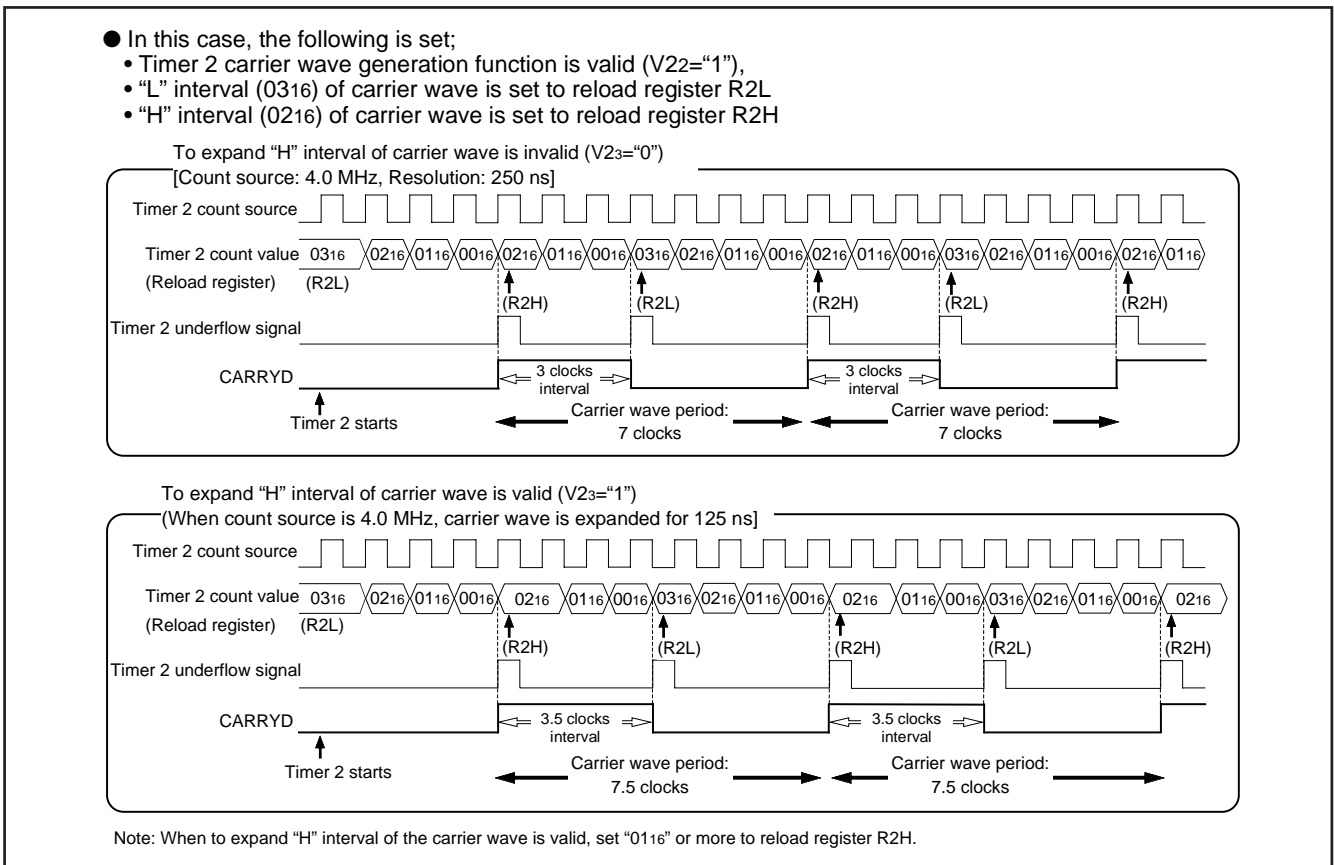
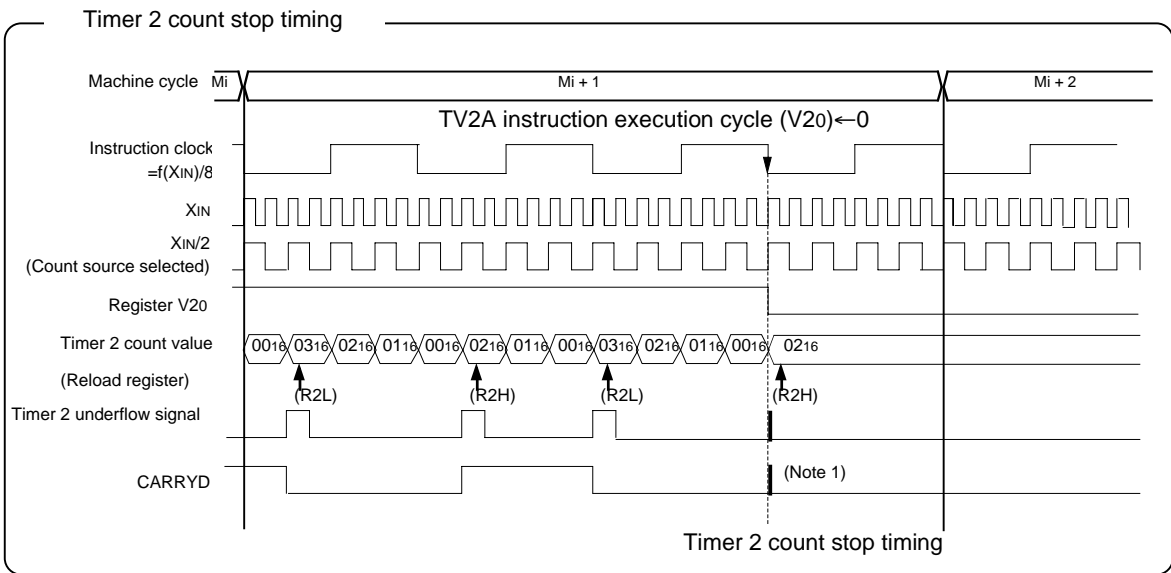
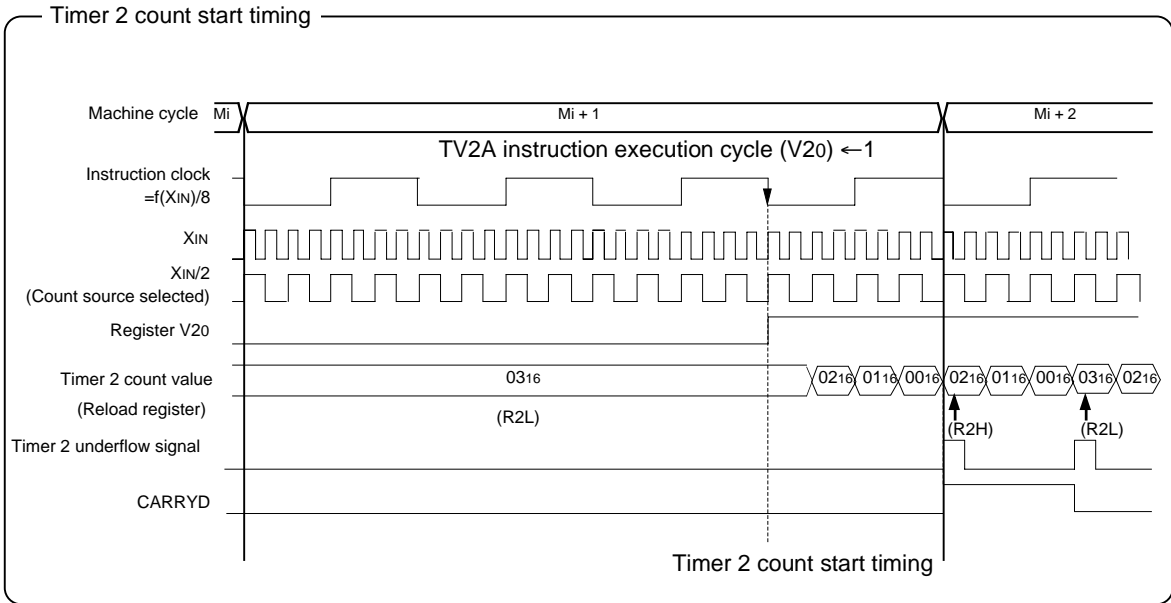


Fig. 16 Carrier wave generation example by timer 2

- In this case, the following is set;
 - To expand "H" interval of carrier wave is invalid (V23 = "0"),
 - Timer 2 carrier wave generation function is valid (V22="1"),
 - Count source XIN/2 selected (V21="1"),
 - "L" interval (0316) of carrier wave is set to reload register R2L
 - "H" interval (0216) of carrier wave is set to reload register R2H



- Notes 1: When the carrier wave generation function is valid (V22="1"), avoid a timing when timer 2 underflows to stop timer 2. When the timer 2 count stop occurs at the same timing with the timer 2 underflows, hazard may occur in the carrier wave output waveform.
- 2: When the timer 2 is stopped during "H" output of carrier wave while the carrier wave generation function is valid, it is stopped after the "H" interval set by reload register R2H is output.

Fig. 17 Timer 2 count start/stop timing

WATCHDOG TIMER

Watchdog timer provides a method to reset and restart the system when a program runs wild. Watchdog timer consists of 14-bit timer (WDT) and watchdog timer flags (WDF1, WDF2).

Watchdog timer downcounts the instruction clock (INSTCK) as the count source immediately after system is released from reset. When the timer WDT count value becomes 0000₁₆ and underflow occurs, the WDF1 flag is set to "1." Then, when the WRST instruction is not executed before the timer WDT counts 16383, WDF2 flag is set to "1" and internal reset signal is generated and system reset is performed.

Execute the WRST instruction at period of 16383 machine cycle or less to keep the microcomputer operation normal.

Timer WDT is also used for generation of oscillation stabilization time. When system is returned from reset and from RAM back-up mode by key-input, software starts after the stabilization oscillation time until timer WDT downcounts to 3E00₁₆ elapses.

- Watchdog timer
Be sure that the timing to execute the WRST instruction in order to operate WDT efficiently.

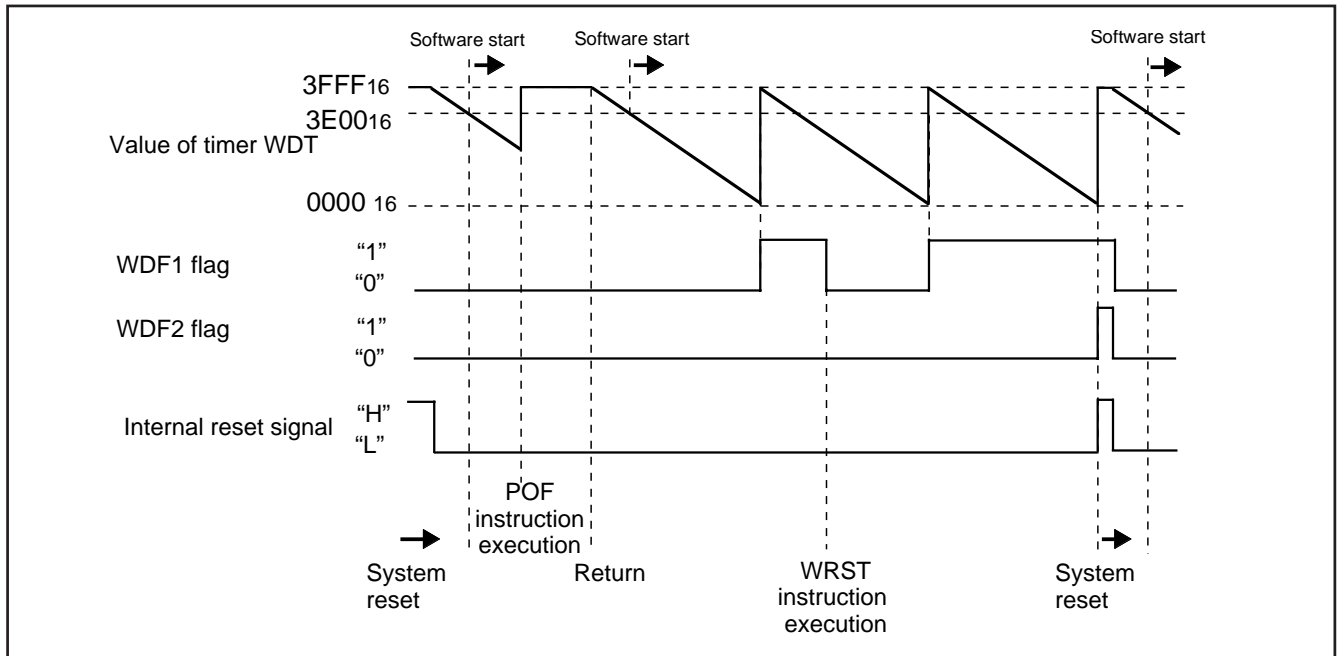


Fig. 18 Watchdog timer function

LOGIC OPERATION FUNCTION

The 4286 Group has the 4-bit logic operation function. The logic operation between the contents of register A and the low-order 4 bits of register E is performed and its result is stored in register A.

Each logic operation can be selected by setting logic operation selection register LO.

Set the contents of this register through register A with the TLOA instruction. The logic operation selected by register LO is executed with the LGOP instruction.

Table 5 shows the logic operation selection register LO.

Table 5 Logic operation selection register LO

Logic operation selection register LO		at reset : 00 ₂		at RAM back-up : 00 ₂	W
LO ₁	Logic operation selection bits	LO ₁	LO ₀	Logic operation function	
		0	0	Exclusive logic OR operation (XOR)	
0		1	OR operation (OR)		
1		0	AND operation (AND)		
LO ₀		1	1	Not available	

Note: "W" represents write enabled.

RESET FUNCTION

The 4286 Group has the power-on reset circuit, though it does not have RESET pin. System reset is performed automatically at power-on, and software starts program from address 0 in page 0.

In order to make the built-in power-on reset circuit operate efficiently, set the voltage rising time until V_{DD}= 0 to 2.2 V is obtained at power-on 1ms or less (Ta = -20 °C to 85 °C).

Note on Power-on reset

Under the following condition, the system reset occurs by the built-in the power-on reset circuit of this product;

- when the supply voltage (V_{DD}) rises from 0 V to 2.2 V, within 1 ms (Ta = -20 °C to 85 °C).

Also, note that system reset does not occur under the following conditions;

- when the supply voltage (V_{DD}) rises from the voltage higher than 0V, or
- when it takes more than 1 ms for the supply voltage (V_{DD}) to rise from 0 V to 2.2 V (Ta = -20 °C to 85 °C).

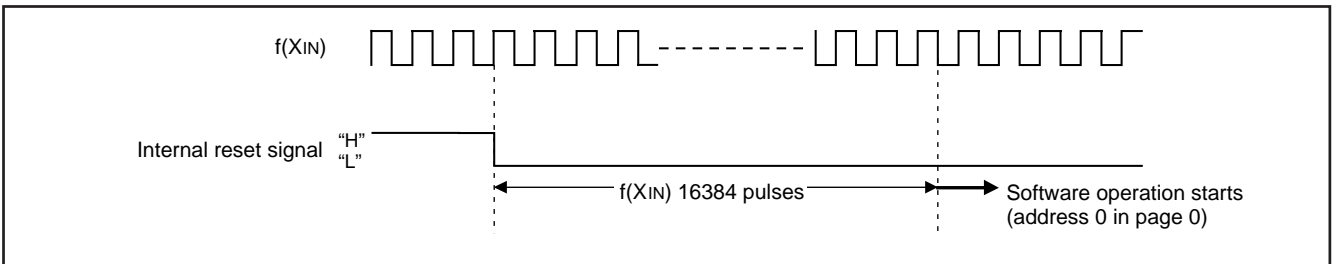


Fig. 19 Reset release timing

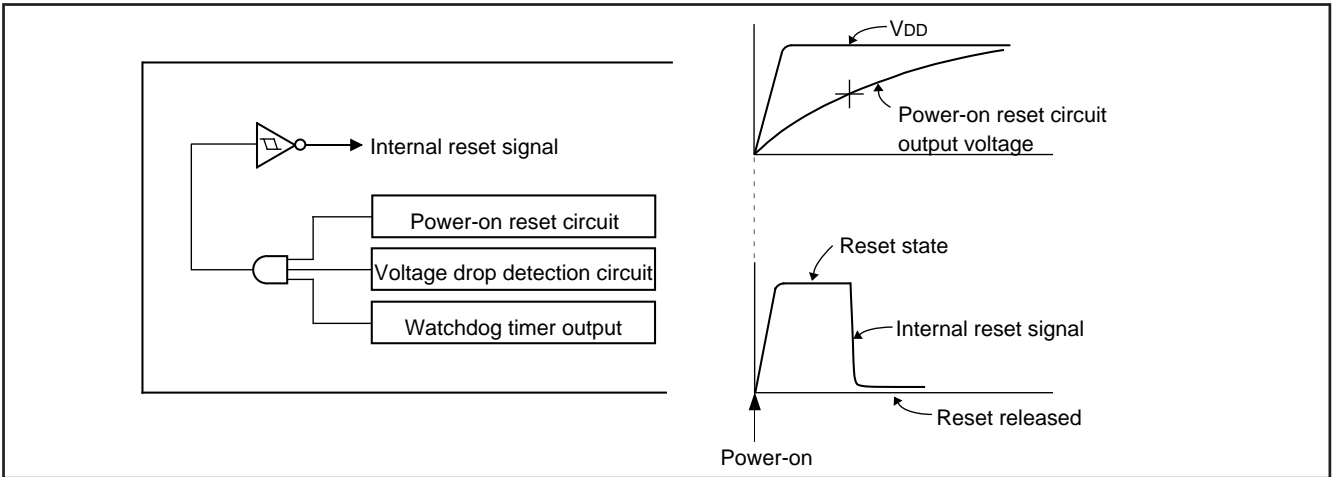


Fig. 20 Power-on reset operation

(1) Internal state at reset

Table 6 shows port state at reset, and Figure 21 shows internal state at reset (they are retained after system is released from reset).

The contents of timers, registers, flags and RAM except shown in Figure 21 are undefined, so set the initial value to them.

Table 6 Port state at reset

Name	State at reset
D0-D7	High impedance state (Pull-down transistor OFF)
G0-G3	High impedance state (Pull-down transistor OFF)
E0, E1	High impedance state (Pull-down transistor OFF)
CARR	"L" output

Note: The contents of all output latch is initialized to "0."

• Program counter (PC)	0 0 0 0 0 0 0 0 0 0 0 0 0 0
Address 0 in page 0 is set to program counter.	
• Power down flag (P)	0
• Timer 1 underflow flag (T1F)	0
• Timer 2 underflow flag (T2F)	0
• Timer control register V1	0 0 0
• Timer control register V2	0 0 0 0
• Port CARR output flag (CAR)	0
• Pull-down control register PU0	0 0 0 0
• Pull-down control register PU1	0 0 0 0
• Pull-down control register PU2	0 0 0 0
• Logic operation selection register LO	0 0
• Most significant ROM code reference enable flag (URS)	0
• Carry flag (CY)	0
• Register A	1 1 1 1
• Register B	1 1 1 1
• Register X	X X
• Register Y	X X X X
• Stack pointer (SP)	1 1

"X" represents undefined.

Fig. 21 Internal state at reset

VOLTAGE DROP DETECTION CIRCUIT

System reset is performed when the supply voltage goes the reset occurrence voltage or less.

When the supply voltage goes reset release voltage or more, the oscillation circuit goes to be in the operating enabled state and system reset is released.

The reset occurrence voltage value is selectable by the CLVD instruction execution.

Refer to the electrical characteristics for reset occurrence value and reset release voltage value.

The voltage drop detection circuit is stopped and power dissipation is reduced in the RAM back-up mode with the initialized CPU stopped.

Note on voltage drop detection circuit

The voltage drop detection circuit detection voltage of this product is set up lower than the minimum value of the supply voltage of the recommended operating conditions.

As the actual operating minimum voltage is lower than the reset generation voltage, the MCU will operate correctly unless oscillation stops before the supply voltage reaches the reset generation voltage during CPU operation.

When designing a system, test the operation thoroughly by confirming the oscillation stop voltage and frequency of the oscillator.

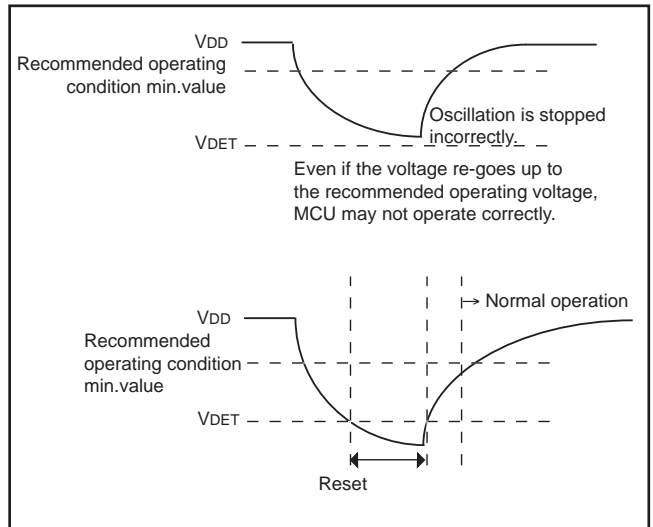
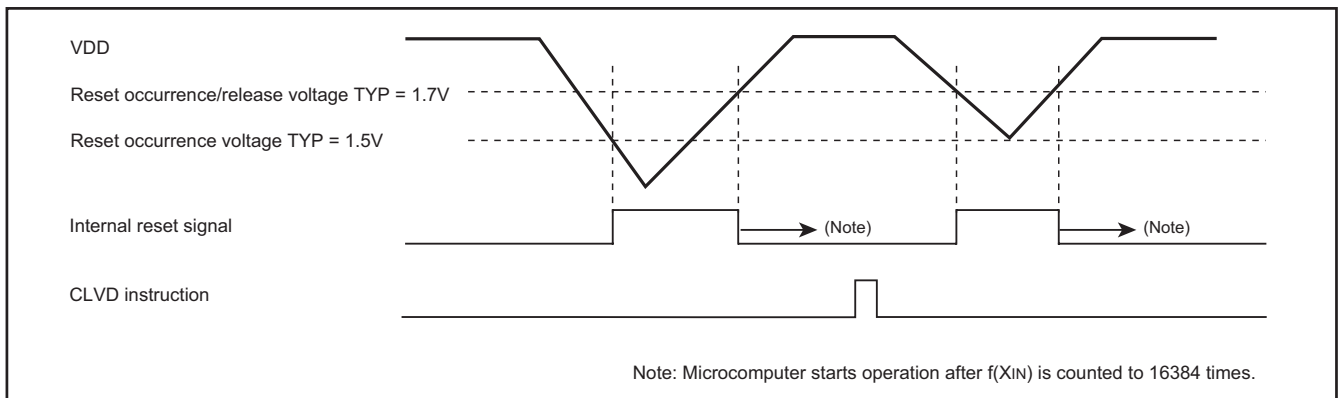


Fig. 23 VDD and VDET



Note: Microcomputer starts operation after f(XIN) is counted to 16384 times.

Fig. 22 Voltage drop detection circuit operation waveform

RAM BACK-UP MODE

The 4286 Group has the RAM back-up mode. When the POF instruction is executed, system enters the RAM back-up state.

As oscillation stops retaining RAM, the functions and states of reset circuit at RAM back-up mode, power dissipation can be reduced without losing the contents of RAM. Table 7 shows the function and states retained at RAM back-up. Figure 24 shows the state transition.

(1) Warm start condition

When the external wakeup signal is input after the system enters the RAM back-up state by executing the POF instruction, the CPU starts executing the software from address 0 in page 0. In this case, the P flag is "1."

(2) Cold start condition

The CPU starts executing the software from address 0 in page 0 when any of the following conditions is satisfied .

- reset by power-on reset circuit is performed
- reset by watchdog timer is performed
- reset by voltage drop detection circuit is performed

In this case, the P flag is "0."

(3) Identification of the start condition

Warm start (return from the RAM back-up state) or cold start (return from the normal reset state) can be identified by examining the state of the power down flag (P) with the SNZP instruction.

Table 7 Functions and states retained at RAM back-up

Function	RAM back-up
Program counter (PC), registers A, B, carry flag (CY), stack pointer (SP) (Note 2)	X
Contents of RAM	O
Port CARR	X
Ports D ₀ –D ₇	O
Ports E ₀ , E ₁	O
Port G	O
Timer control registers V1, V2	X
Pull-down control registers PU0, PU1, PU2	O
Logic operation selection register LO	X
Timer 1 function, Timer 2 function	X
Timer underflow flags (T1F, T2F)	X
Watchdog timer (WDT)	X
Watchdog timer flags (WDF1, WDF2)	X
Most significant ROM code reference enable flag (URS)	X

Notes 1: "O" represents that the function can be retained, and "X" represents that the function is initialized.

Registers and flags other than the above are undefined at RAM back-up, and set an initial value after returning.

2: The stack pointer (SP) points the level of the stack register and is initialized to "112" at RAM back-up.

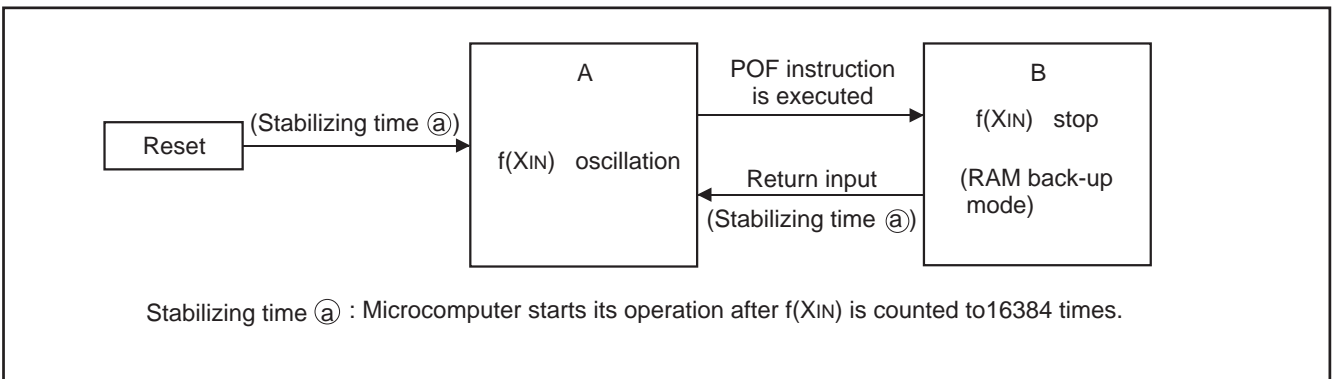


Fig. 24 State transition

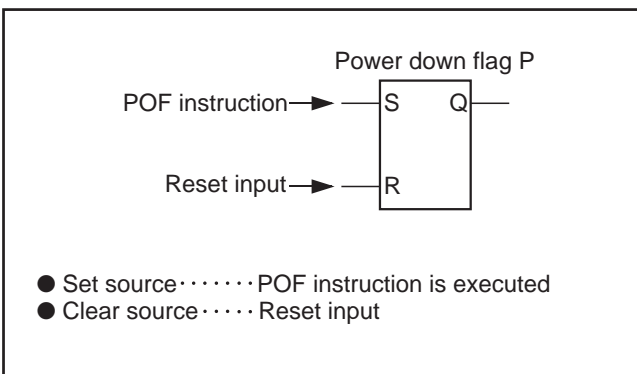


Fig. 25 Set source and clear source of the P flag

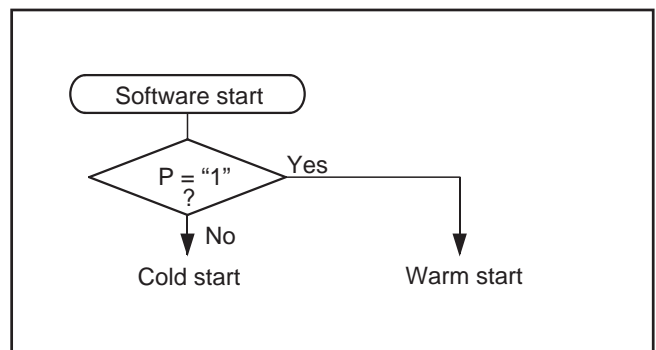


Fig. 26 Start condition identified example using the SNZP instruction

(4) Return signal

An external wakeup signal is used to return from the RAM back-up mode. Table 8 shows the return condition for each return source.

Table 8 Return source and return condition

Return source	Return condition	Remarks
Ports D ₀ –D ₇	Return by an external “H” level input.	Only key-on wakeup function of the port whose pull-down transistor is turned ON by register PU1 and PU2 are valid.
Ports E ₀ , E ₁ , G	Return by an external “H” level input.	Only key-on wakeup function of the port whose pull-down transistor is turned ON by register PU0 is valid.
Port E ₂	Return by an external “H” level input.	Key-on wakeup function is always valid.

(5) Pull-down control register

Registers PU0, PU1, and PU2 are 4-bit registers and control the ON/OFF of pull-down transistor and key-on wakeup function for ports E₀, E₁, G and ports D₀–D₇.

Set the contents of register PU0, PU1, or PU2 through register A with the TPU0A, TPU1A, or TPU2A instruction, respectively.

Table 9 Pull-down control registers

Pull-down control register PU0		at reset : 0000 ₂		at RAM back-up : state retained	W
PU0 ₃	Ports G ₂ , G ₃ pull-down transistor control bit	0	Pull-down transistor OFF, key-on wakeup invalid		
		1	Pull-down transistor ON, key-on wakeup valid		
PU0 ₂	Ports G ₀ , G ₁ pull-down transistor control bit	0	Pull-down transistor OFF, key-on wakeup invalid		
		1	Pull-down transistor ON, key-on wakeup valid		
PU0 ₁	Port E ₁ pull-down transistor control bit	0	Pull-down transistor OFF, key-on wakeup invalid		
		1	Pull-down transistor ON, key-on wakeup valid		
PU0 ₀	Port E ₀ pull-down transistor control bit	0	Pull-down transistor OFF, key-on wakeup invalid		
		1	Pull-down transistor ON, key-on wakeup valid		

Pull-down control register PU1		at reset : 0000 ₂		at RAM back-up : state retained	W
PU1 ₃	Port D ₇ pull-down transistor control bit	0	Pull-down transistor OFF, key-on wakeup invalid		
		1	Pull-down transistor ON, key-on wakeup valid		
PU1 ₂	Port D ₆ pull-down transistor control bit	0	Pull-down transistor OFF, key-on wakeup invalid		
		1	Pull-down transistor ON, key-on wakeup valid		
PU1 ₁	Port D ₅ pull-down transistor control bit	0	Pull-down transistor OFF, key-on wakeup invalid		
		1	Pull-down transistor ON, key-on wakeup valid		
PU1 ₀	Port D ₄ pull-down transistor control bit	0	Pull-down transistor OFF, key-on wakeup invalid		
		1	Pull-down transistor ON, key-on wakeup valid		

Pull-down control register PU2		at reset : 0000 ₂		at RAM back-up : state retained	W
PU2 ₃	Port D ₃ pull-down transistor control bit	0	Pull-down transistor OFF, key-on wakeup invalid		
		1	Pull-down transistor ON, key-on wakeup valid		
PU2 ₂	Port D ₂ pull-down transistor control bit	0	Pull-down transistor OFF, key-on wakeup invalid		
		1	Pull-down transistor ON, key-on wakeup valid		
PU2 ₁	Port D ₁ pull-down transistor control bit	0	Pull-down transistor OFF, key-on wakeup invalid		
		1	Pull-down transistor ON, key-on wakeup valid		
PU2 ₀	Port D ₀ pull-down transistor control bit	0	Pull-down transistor OFF, key-on wakeup invalid		
		1	Pull-down transistor ON, key-on wakeup valid		

Note: “W” represents write enabled.

CLOCK CONTROL

The clock control circuit consists of the following circuits.

- System clock generating circuit
- Control circuit to stop the clock oscillation
- Control circuit to return from the RAM back-up state

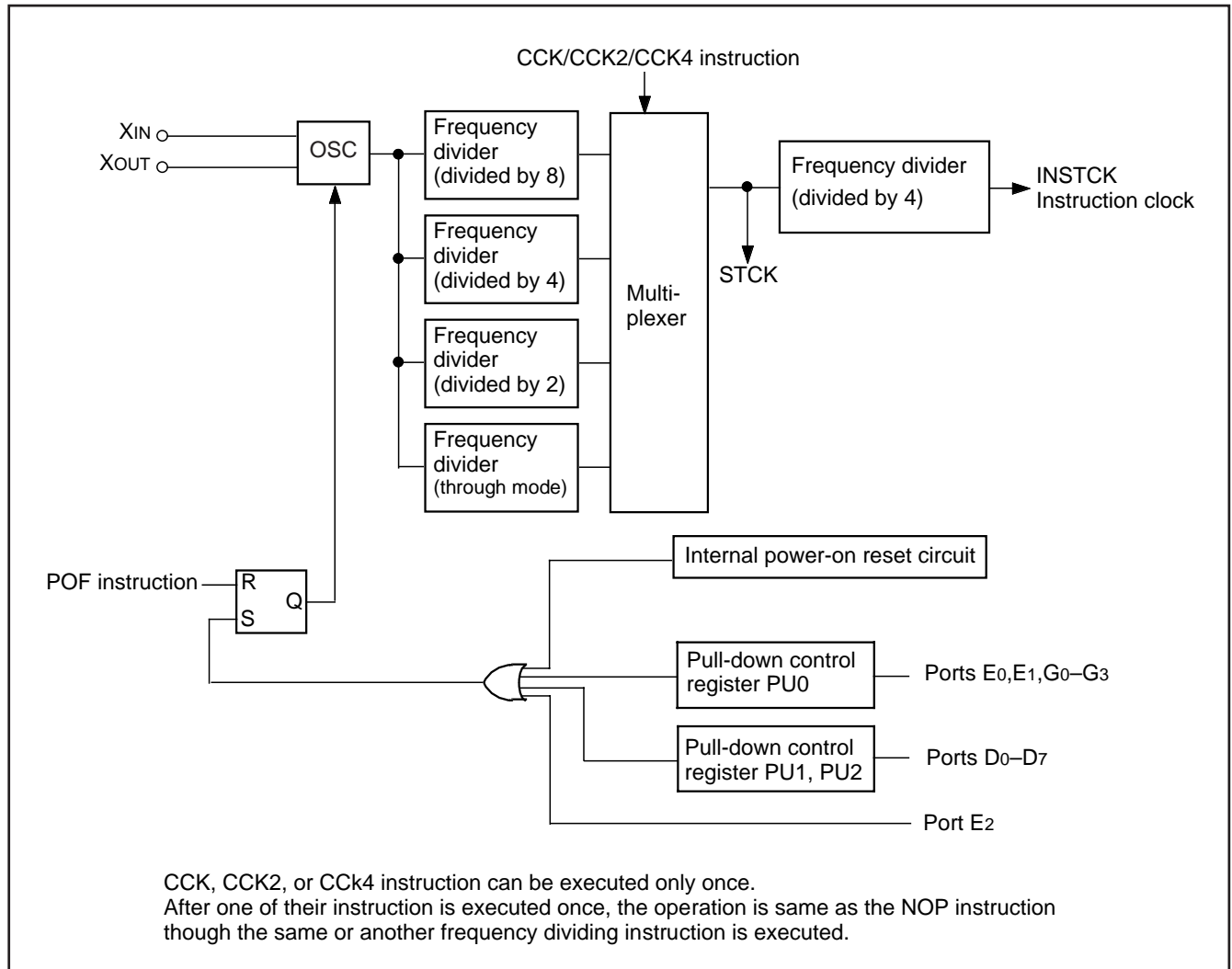


Fig. 27 Clock control circuit structure

System clock signal $f(X_{IN})$ is obtained by externally connecting a ceramic resonator. Connect this external circuit to pins X_{IN} and X_{OUT} at the shortest distance as shown Figure 28.

A feedback resistor is built-in between X_{IN} pin and X_{OUT} pin.

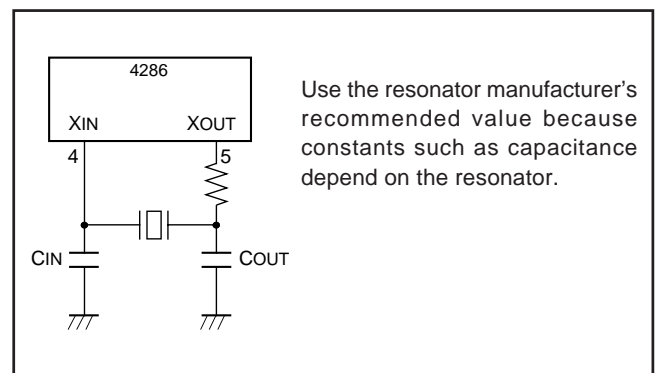


Fig. 28 Ceramic resonator external circuit

LIST OF PRECAUTIONS

① Noise and latch-up prevention

Connect a capacitor on the following condition to prevent noise and latch-up;

- connect a bypass capacitor (approx. 0.01 μ F) between pins V_{DD} and V_{SS} at the shortest distance,
- equalize its wiring in width and length, and
- use the thickest wire.
- Port E2 is also used as V_{PP} pin. Connect this pin to V_{SS} through the resistor about 5k Ω which is assigned to E2/ V_{PP} pin as close as possible at the shortest distance.

② Register initial values 1

The initial value of the following registers are undefined after system is released from reset. After system is released from reset, set initial values.

- Register D (3 bits)
- Register E (8 bits)

③ Register initial values 2

The initial value of the following registers are undefined at RAM backup. After system is returned from RAM back-up, set initial values.

- Register X (4 bits)
- Register Y (4 bits)
- Register D (3 bits)
- Register E (8 bits)

④ Stack registers (SKs)

Stack registers (SKs) are four identical registers, so that subroutines can be nested up to 4 levels. However, one of stack registers is used when executing a table reference instruction. Accordingly, be careful not to over the stack. The contents of registers SKs are destroyed when 4 levels are exceeded.

⑤ Notes on unused pins

Pin	Connection	Usage condition
D ₀ –D ₇	Open (Set the output latch to "1").	Pull-down transistor OFF.
	Open (Set the output latch to "0").	
	Connect to V_{DD} .	Pull-down transistor OFF.
E ₀ , E ₁	Open (Set the output latch to "1").	Pull-down transistor OFF.
	Open (Set the output latch to "0").	
	Connect to V_{DD} .	Pull-down transistor OFF.
E ₂	Open.	
	Connect to V_{SS} .	
G ₀ –G ₃	Open (Set the output latch to "1").	Pull-down transistor OFF.
	Open (Set the output latch to "0").	
	Connect to V_{DD} .	Pull-down transistor OFF.
CARR	Open.	

(Note when connecting to V_{SS} and V_{DD})

- Connect the unused pins to V_{SS} and V_{DD} at the shortest distance and use the thick wire against noise.

⑥ Timer

- Count source
 - Stop timer 1 or timer 2 counting to change its count source.
- Reading the count value
 - Stop timer 1 or 2 counting and then execute the data read instruction (TAB1, TAB2) to read its data.
- Watchdog timer
 - Be sure that the timing to execute the WRST instruction in order to operate WDT efficiently.
- Writing to reload register R1
 - When writing data to reload register R1 while timer 1 is operating, avoid a timing when timer 1 underflows.
- Timer 1 count operation
 - When the bit 5 of the watchdog timer (WDT) is selected as the timer 1 count source, the error of maximum $\pm 64 \mu$ s (at the minimum instruction execution time : 2 μ s) is generated from timer 1 start until timer 1 underflow. When programming, be careful about this error.
- Stop of timer 2
 - Avoid a timing when timer 2 underflows to stop timer 2.
- Writing to reload register R2H
 - When writing data to reload register R2H while timer 2 is operating, avoid a timing when timer underflows.
- Timer 2 carrier wave output function
 - When to expand "H" interval of carrier wave is valid, set "1" or more to reload register R2H.
- Timer 1 and timer 2 carrier wave output function
 - Count starts from the rising edge ② in Fig. 29 after the first falling edge of the count source, after timer 1 and timer 2 operations start ① in Fig. 29.
 - Time to first underflow ③ in Fig. 29 is different from time among next underflow ④ in Fig. 29 by the timing to start the timer and count source operations after count starts.

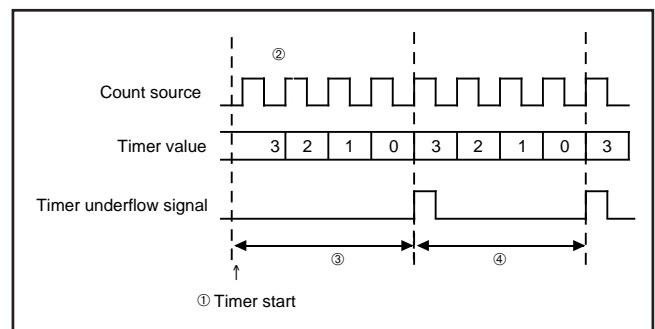


Fig. 29 Count start time and count time when operation starts (T1, T2)

⑦ Program counter

- Make sure that the program counter does not specify after the last page of the built-in ROM.

⑧ Power-on reset

Under the following condition, the system reset occurs by the built-in the power-on reset circuit of this product;

- when the supply voltage (VDD) rises from 0 V to 2.2 V, within 1 ms ($T_a = -20\text{ }^{\circ}\text{C}$ to $85\text{ }^{\circ}\text{C}$).

Also, note that system reset does not occur under the following conditions;

- when the supply voltage (VDD) rises from the voltage higher than 0V, or
- when it takes more than 1 ms for the supply voltage (VDD) to rise from 0 V to 2.2 V ($T_a = -20\text{ }^{\circ}\text{C}$ to $85\text{ }^{\circ}\text{C}$).

⑨ Voltage drop detection circuit

The voltage drop detection circuit detection voltage of this product is set up lower than the minimum value of the supply voltage of the recommended operating conditions.

As the actual operating minimum voltage is lower than the reset generation voltage, the MCU will operate correctly unless oscillation stops before the supply voltage reaches the reset generation voltage during CPU operation.

When designing a system, test the operation thoroughly by confirming the oscillation stop voltage and frequency of the oscillator.

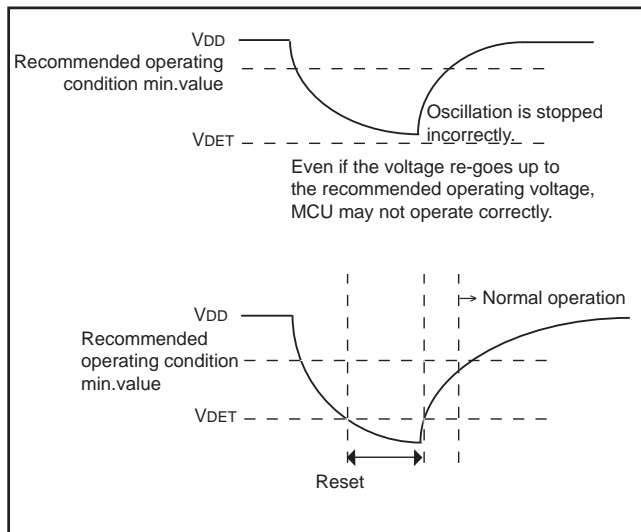


Fig. 30 VDD and VDET

⑩ Note on Power Source Voltage

When the power source voltage value of a microcomputer is less than the value which is indicated as the recommended operating conditions, the microcomputer does not operate normally and may perform unstable operation.

In a system where the power source voltage drops slowly when the power source voltage drops or the power supply is turned off, reset a microcomputer when the supply voltage is less than the recommended operating conditions and design a system not to cause errors to the system by this unstable operation.

⑪ QzROM

- (1) Be careful not to apply overvoltage to MCU. The contents of QzROM may be overwritten because of overvoltage. Take care especially at turning on the power.
- (2) As for the product shipped in blank, Renesas does not perform the writing test to user ROM area after the assembly process though the QzROM writing test is performed enough before the assembly process. Therefore, a writing error of approx.0.1 % may occur. Moreover, please note the contact of cables and foreign bodies on a socket, etc. because a writing environment may cause some writing errors.

⑫ Notes On ROM Code Protect

(QzROM product shipped after writing)

As for the QzROM product shipped after writing, the ROM code protect is specified according to the ROM option setup data in the mask file which is submitted at ordering.

The ROM option setup data in the mask file is "0016" for protect enabled or "FF16" for protect disabled.

Note that the mask file which has nothing at the ROM option data or has the data other than "0016" and "FF16" can not be accepted.

INSTRUCTIONS

The 4286 Group has the 72 instructions. Each instruction is described as follows;

- (1) List of instruction function
- (2) Machine instructions (index by alphabet)
- (3) Machine instructions (index by function)
- (4) Instruction code table

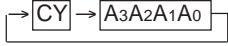
SYMBOL

The symbols shown below are used in the following list of instruction function and the machine instructions.

Symbol	Contents	Symbol	Contents
A	Register A (4 bits)	D	Port D (8 bits)
B	Register B (4 bits)	E	Port E (3 bits)
DR	Register D (3 bits)	G	Port G (4 bits)
ER	Register E (8 bits)	CARR	Port CARR (1 bit)
V1	Timer control register V1 (3 bits)	CAR	CAR flag (1 bit)
V2	Timer control register V2 (4 bits)	x	Hexadecimal variable
PU0	Pull-down control register PU0 (4 bits)	y	Hexadecimal variable
PU1	Pull-down control register PU1 (4 bits)		
PU2	Pull-down control register PU2 (4 bits)	p	Hexadecimal variable
LO	Logic operation selection register LO (2 bits)	n	Hexadecimal constant which represents the immediate value
X	Register X (2 bits)	j	Hexadecimal constant which represents the immediate value
Y	Register Y (4 bits)	A ₃ A ₂ A ₁ A ₀	Binary notation of hexadecimal variable A (same for others)
DP	Data pointer (6 bits) (It consists of registers X and Y)	←	Direction of data movement
PC	Program counter (11 bits)	↔	Data exchange between a register and memory
PC _H	High-order 4 bits of program counter	?	Decision of state shown before “?”
PC _L	Low-order 7 bits of program counter	()	Contents of registers and memories
SK	Stack register (11 bits X 4)	—	Negate, Flag unchanged after executing instruction
SP	Stack pointer (2 bits)	M(DP)	RAM address pointed by the data pointer
CY	Carry flag	a	Label indicating address a ₆ a ₅ a ₄ a ₃ a ₂ a ₁ a ₀
R1	Timer 1 reload register	p, a	Label indicating address a ₆ a ₅ a ₄ a ₃ a ₂ a ₁ a ₀ in page p ₃ p ₂ p ₁ p ₀
T1	Timer 1	C	Hex. number C + Hex. number x (also same for others)
T1F	Timer 1 underflow flag	+	
R2H	Timer 2 reload register	x	
R2L	Timer 2 reload register		
T2	Timer 2		
T2F	Timer 2 underflow flag		
WDT	Watchdog timer		
WDF1	Watchdog timer flag 1		
WDF2	Watchdog timer flag 2		
URS	Most significant ROM code reference enable flag		
P	Power down flag		
STCK	System clock		
INSTCK	Instruction clock		

Note : The 4286 Group just invalidates the next instruction when a skip is performed. The contents of program counter is not increased by 2. Accordingly, the number of cycles does not change even if skip is not performed. However, the cycle count becomes “1” if the TABP p, RT, or RTS instruction is skipped.

LIST OF INSTRUCTION FUNCTION

Grouping	Mnemonic	Function	Page	Grouping	Mnemonic	Function	Page
Register to register transfer	TAB	$(A) \leftarrow (B)$	41	Arithmetic operation	LA n	$(A) \leftarrow n$ $n = 0 \text{ to } 15$	34
	TBA	$(B) \leftarrow (A)$	43		TABP p	$(SP) \leftarrow (SP) + 1$ $(SK(SP)) \leftarrow (PC)$ $(PC_H) \leftarrow p \text{ } p=0 \text{ to } 15$ $(PC_L) \leftarrow (DR_2-DR_0, A_3-A_0)$ When $URS=0$ $(B) \leftarrow (ROM(PC))_{7 \text{ to } 4}$ $(A) \leftarrow (ROM(PC))_{3 \text{ to } 0}$ When $URS=1$ $(CY) \leftarrow (ROM(PC))_8$ $(B) \leftarrow (ROM(PC))_{7 \text{ to } 4}$ $(A) \leftarrow (ROM(PC))_{3 \text{ to } 0}$ $(PC) \leftarrow (SK(SP))$ $(SP) \leftarrow (SP) - 1$	42
	TAY	$(A) \leftarrow (Y)$	43		AM	$(A) \leftarrow (A) + (M(DP))$	29
	TYA	$(Y) \leftarrow (A)$	45		AMC	$(A) \leftarrow (A) + (M(DP)) + (CY)$ $(CY) \leftarrow \text{Carry}$	29
	TEAB	$(ER_7-ER_4) \leftarrow (B)$ $(ER_3-ER_0) \leftarrow (A)$	43		A n	$(A) \leftarrow (A) + n$ $n = 0 \text{ to } 15$	29
	TABE	$(B) \leftarrow (ER_7-ER_4)$ $(A) \leftarrow (ER_3-ER_0)$	42		SC	$(CY) \leftarrow 1$	37
	TDA	$(DR_2-DR_0) \leftarrow (A_2-A_0)$	43		RC	$(CY) \leftarrow 0$	36
RAM addresses	LXY x, y	$(X) \leftarrow x, x = 0 \text{ to } 3$ $(Y) \leftarrow y, y = 0 \text{ to } 15$	34		SZC	$(CY) = 0 ?$	40
	INY	$(Y) \leftarrow (Y) + 1$	33		CMA	$(A) \leftarrow (\bar{A})$	32
	DEY	$(Y) \leftarrow (Y) - 1$	33		RAR		35
RAM to register transfer	TAM j	$(A) \leftarrow (M(DP))$ $(X) \leftarrow (X) \text{ EXOR}(j)$ $j = 0 \text{ to } 3$	42	LGOP	Logic operation instruction XOR, OR, AND	34	
	XAM j	$(A) \leftrightarrow (M(DP))$ $(X) \leftarrow (X) \text{ EXOR}(j)$ $j = 0 \text{ to } 3$	46	Bit operation	SB j	$(M_j(DP)) \leftarrow 1$ $j = 0 \text{ to } 3$	37
	XAMD j	$(A) \leftrightarrow (M(DP))$ $(X) \leftarrow (X) \text{ EXOR}(j)$ $j = 0 \text{ to } 3$ $(Y) \leftarrow (Y) - 1$	46		RB j	$(M_j(DP)) \leftarrow 0$ $j = 0 \text{ to } 3$	36
	XAMI j	$(A) \leftrightarrow (M(DP))$ $(X) \leftarrow (X) \text{ EXOR}(j)$ $j = 0 \text{ to } 3$ $(Y) \leftarrow (Y) + 1$	46		SZB j	$(M_j(DP)) = 0 ?$ $j = 0 \text{ to } 3$	39

Grouping	Mnemonic	Function	Page	Grouping	Mnemonic	Function	Page
Comparison operation	SEAM	$(A) = (M(DP)) ?$	38	Timer operation	TV1A	$(V12-V10) \leftarrow (A2-A0)$	45
	SEA n	$(A) = n ?$ $n = 0 \text{ to } 15$	38		TAB1	$(B) \leftarrow (T17-T14)$ $(A) \leftarrow (T13-T10)$	41
Branch operation	B a	$(PCL) \leftarrow a6-a0$	29		T1AB	at timer 1 stop ($V10=0$): $(R17-R14) \leftarrow (B)$ $(T17-T14) \leftarrow (B)$ $(R13-R10) \leftarrow (A)$ $(T13-T10) \leftarrow (A)$ at timer 1 operating ($V10=1$): $(R17-R14) \leftarrow (B)$ $(R13-R10) \leftarrow (A)$	40
	BL p, a	$(PCH) \leftarrow p$ $(PCL) \leftarrow a6-a0$	30		SNZT1	$(T1F) = 1 ?$ $(T1F) \leftarrow 0$	39
	BA a	$(PCL) \leftarrow (a6-a4, A3-A0)$	30		TV2A	$(V23-V20) \leftarrow (A3-A0)$	45
	BLA p, a	$(PCH) \leftarrow p$ $(PCL) \leftarrow (a6-a4, A3-A0)$	30		TAB2	$(B) \leftarrow (T27-T24)$ $(A) \leftarrow (T23-T20)$	42
Subroutine operation	BM a	$(SP) \leftarrow (SP) + 1$ $(SK(SP)) \leftarrow (PC)$ $(PCH) \leftarrow 2$ $(PCL) \leftarrow a6-a0$	30		T2AB	$(R2L7-R2L4) \leftarrow (B)$ $(T27-T24) \leftarrow (B)$ $(R2L3-R2L0) \leftarrow (A)$ $(T23-T20) \leftarrow (A)$	40
	BML p, a	$(SP) \leftarrow (SP) + 1$ $(SK(SP)) \leftarrow (PC)$ $(PCH) \leftarrow p \text{ } p = 0 \text{ to } 15$ $(PCL) \leftarrow a6-a0$	31		T2HAB	$(R2H7-R2H4) \leftarrow (B)$ $(R2H3-R2H0) \leftarrow (A)$	41
	BMLA p, a	$(SP) \leftarrow (SP) + 1$ $(SK(SP)) \leftarrow (PC)$ $(PCH) \leftarrow p \text{ } p = 0 \text{ to } 15$ $(PCL) \leftarrow (a6-a4, A3-A0)$	31		T2R2L	$(T27-T24) \leftarrow (R2L7-R2L4)$ $(T23-T20) \leftarrow (R2L3-R2L0)$	41
Return operation	RT	$(PC) \leftarrow (SK(SP))$ $(SP) \leftarrow (SP) - 1$	37		SNZT2	$(T2F) = 1 ?$ $(T2F) \leftarrow 0$	39
	RTS	$(PC) \leftarrow (SK(SP))$ $(SP) \leftarrow (SP) - 1$	37				

LIST OF INSTRUCTION FUNCTION (CONTINUED)

Grouping	Mnemonic	Function	Page
Input/Output operation	CLD	$(D) \leftarrow 0$	32
	RD	$(D(Y)) \leftarrow 0$ $(Y) = 0 \text{ to } 7$	36
	SD	$(D(Y)) \leftarrow 1$ $(Y) = 0 \text{ to } 7$	38
	SZD	$(D(Y)) = 0 ?$ $(Y) = 0 \text{ to } 7$	40
	OEA	$(E_1, E_0) \leftarrow (A_1, A_0)$	35
	IAE	$(A_2-A_0) \leftarrow (E_2-E_0)$	33
	OGA	$(G) \leftarrow (A)$	35
	IAG	$(A) \leftarrow (G)$	33
Carrier wave control operation	SCAR	$(CAR) \leftarrow 1$	38
	RCAR	$(CAR) \leftarrow 0$	36
Other operation	NOP	$(PC) \leftarrow (PC) + 1$	34
	POF	RAM back-up	35
	SNZP	$(P) = 1 ?$	39
	CCK	STCK changes to $f(X_{IN})$	31
	CCK2	STCK changes to $f(X_{IN})/2$	31
	CCK4	STCK changes to $f(X_{IN})/4$	32
	CLVD	Reset occurrence voltage value changes	32
	TLOA	$(LO_1, LO_0) \leftarrow (A_1, A_0)$	44
	URSC	$(URS) \leftarrow 1$	45
	TPU0A	$(PU_{03}-PU_{00}) \leftarrow (A_3-A_0)$	44
	TPU1A	$(PU_{13}-PU_{10}) \leftarrow (A_3-A_0)$	44
	TPU2A	$(PU_{23}-PU_{20}) \leftarrow (A_3-A_0)$	44
	WRST	$(WDF1) \leftarrow 0$	46

MACHINE INSTRUCTIONS (INDEX BY ALPHABET)

A n (Add n and accumulator)

Instruction code	D8	D0	Number of words	Number of cycles	Flag CY	Skip condition	
	0 1 0 1 0	n ₃ n ₂ n ₁ n ₀ ₂	0 A n ₁₆	1	1	–	Overflow = 0
Operation:	(A) → (A) + (M(DP)) n = 0 to 15		Grouping:	Arithmetic operation			
			Description:	Adds the value n in the immediate field to register A. The contents of carry flag CY remains unchanged. Skips the next instruction when there is no overflow as the result of operation.			

AM (Add accumulator and Memory)

Instruction code	D8	D0	Number of words	Number of cycles	Flag CY	Skip condition	
	0 0 0 0 0	1 0 1 0 ₂	0 0 A ₁₆	1	1	–	–
Operation:	(A) ← (A) + (M(DP))		Grouping:	Arithmetic operation			
			Description:	Adds the contents of M(DP) to register A. Stores the result in register A. The contents of carry flag CY remains unchanged.			

AMC (Add accumulator, Memory and Carry)

Instruction code	D8	D0	Number of words	Number of cycles	Flag CY	Skip condition	
	0 0 0 0 0	1 0 1 1 ₂	0 0 B ₁₆	1	1	0/1	–
Operation:	(A) ← (A) + (M(DP)) + (CY) (CY) ← Carry		Grouping:	Arithmetic operation			
			Description:	Adds the contents of M(DP) and carry flag CY to register A. Stores the result in register A and carry flag CY.			

B a (Branch to address a)

Instruction code	D8	D0	Number of words	Number of cycles	Flag CY	Skip condition
	1 1 a ₆ a ₅ a ₄ a ₃ a ₂ a ₁ a ₀ ₂	1 8 +a a ₁₆	1	1	–	–
Operation:	(PCL) ← a ₆ –a ₀		Grouping:	Branch operation		
			Description:	Branch within a page : Branches to address a in the identical page.		

BA a (Branch to address a + Accumulator)			
Instruction code	D8	D0	
	0 0 0 0 0 0 0 0 1	2	0 0 1
	1 1 a6 a5 a4 a3 a2 a1 a0	2	1 8 +a a
Operation:	(PCL) ← a6–a4, A3–A0		
Number of words	2	Number of cycles	2
Flag CY	–	Skip condition	–
Grouping: Branch operation			
Description: Branch within a page : Branches to address (a6 a5 a4 A3 A2 A1 A0) determined by replacing the low-order 4 bits of the address a in the identical page with register A.			
BL p, a (Branch Long to address a in page p)			
Instruction code	D8	D0	
	0 0 0 1 1 p3 p2 p1 p0	2	0 3 p
	1 1 a6 a5 a4 a3 a2 a1 a0	2	1 8 +a a
Operation:	(PCH) ← (P) (PCL) ← a6–a0		
Number of words	2	Number of cycles	2
Flag CY	–	Skip condition	–
Grouping: Branch operation			
Description: Branch out of a page : Branches to address a in page p.			
Note: p is 0 to 15.			
BLA p, a (Branch Long to address a in page p)			
Instruction code	D8	D0	
	0 0 0 0 1 0 0 0 0	2	0 1 0
	1 1 a6 a5 a4 p3 p2 p1 p0	2	1 8 +a p
Operation:	(PCH) ← (P) (PCL) ← (a6–a4, A3–A0)		
Number of words	2	Number of cycles	2
Flag CY	–	Skip condition	–
Grouping: Branch operation			
Description: Branch within a page : Branches to address (a6 a5 a4 A3 A2 A1 A0) determined by replacing the low-order 4 bits of the address a in page p with register A.			
Note: p is 0 to 15.			
BM a (Branch and Mark to address a in page 2)			
Instruction code	D8	D0	
	1 0 a6 a5 a4 a3 a2 a1 a0	2	1 a a
Operation:	(SK(SP)) ← (PC) (SP) ← (SP) + 1 (PCH) ← 2 (PCL) ← a6–a0		
Number of words	1	Number of cycles	1
Flag CY	–	Skip condition	–
Grouping: Subroutine call operation			
Description: Call the subroutine in page 2 : Calls the subroutine at address a in page 2.			

BML p, a (Branch and Mark Long to address a in page p)				Number of words	Number of cycles	Flag CY	Skip condition
Instruction code	D8	D0					
	0 0 1 1 1 p3 p2 p1 p0 ₂		0 7 p ₁₆	2	2	–	–
	1 0 a6 a5 a4 a3 a2 a1 a0 ₂		1 a a ₁₆				
Operation:	(SK(SP)) ← (PC) (SP) ← (SP) + 1 (PCH) ← p (PCL) ← a6–a0			Grouping:	Subroutine call operation		
				Description:	Call the subroutine : Calls the subroutine at address a in page p.		
				Note:	p is 0 to 15.		
BMLA p, a (Branch and Mark Long to address a in page p)				Number of words	Number of cycles	Flag CY	Skip condition
Instruction code	D8	D0					
	0 0 1 0 1 0 0 0 0 ₂		0 5 0 ₁₆	2	2	–	–
	1 0 a6 a5 a4 p3 p2 p1 p0 ₂		1 a p ₁₆				
Operation:	(SK(SP)) ← (PC) (SP) ← (SP) + 1 (PCH) ← p (PCL) ← (a6–a4, A3–A0)			Grouping:	Subroutine call operation		
				Description:	Call the subroutine : Calls the subroutine at address (a6 a5 a4 A3 A2 A1 A0) determined by replacing the low-order 4 bits of address a in page p with register A.		
				Note:	p is 0 to 15.		
CCK (Change system Clock to f(XIN))				Number of words	Number of cycles	Flag CY	Skip condition
Instruction code	D8	D0					
	0 0 1 0 1 1 0 0 1 ₂		0 5 9 ₁₆	1	1	–	–
Operation:	Change to STCK = f(XIN)			Grouping:	Other operation		
				Description:	Changes system clock (STCK) from f(XIN)/8 to f(XIN).		
CCK2 (Change system Clock to f(XIN)/2)				Number of words	Number of cycles	Flag CY	Skip condition
Instruction code	D8	D0					
	0 0 0 0 1 1 0 0 1		0 1 9 ₁₆	1	1	–	–
Operation:	Change to STCK = f(XIN)/2			Grouping:	Other operation		
				Description:	Changes system clock (STCK) from f(XIN)/8 to f(XIN)/2.		

CCK4 (Change system Clock to f(XIN)/4)

Instruction code	D8	D0		Number of words	Number of cycles	Flag CY	Skip condition										
	0	0	0	1	0	1	1	0	1	0	2	D	₁₆	1	1	-	-
Operation:	Change to STCK = f(XIN)/4			Grouping:	Other operation			Description:	Changes system clock (STCK) from f(XIN)/8 to f(XIN)/4.								

CLD (CLear port D)

Instruction code	D8	D0		Number of words	Number of cycles	Flag CY	Skip condition											
	0	0	0	0	1	0	0	0	1	2	0	1	1	₁₆	1	1	-	-
Operation:	(D) ← 0			Grouping:	Input/Output operation			Description:	Clears (0) to port D (high-impedance state).									

CLVD (Change Voltage Drop Detection)

Instruction code	D8	D0		Number of words	Number of cycles	Flag CY	Skip condition											
	0	0	0	1	0	1	1	1	1	0	0	2	E	₁₆	1	1	-	-
Operation:	Reset occurrence voltage 1.5 → 1.7V			Grouping:	Other operation			Description:	Change reset occurrence voltage from 1.5V to 1.7V (Ta = 25°C, Typ).									

CMA (CoMplement of Accumulator)

Instruction code	D8	D0		Number of words	Number of cycles	Flag CY	Skip condition											
	0	0	0	0	1	1	1	0	0	2	0	1	C	₁₆	1	1	-	-
Operation:	(A) ← $\overline{(A)}$			Grouping:	Arithmetic operation			Description:	Stores the one's complement for register A's contents in register A.									

DEY (DEcrement register Y)																		
Instruction code	D8	D0	Number of words	Number of cycles	Flag CY	Skip condition												
	0	0	0	0	1	0	1	1	1	2	0	1	7	16	1	1	–	(Y) = 15
Operation: $(Y) \leftarrow (Y) - 1$			Grouping: RAM addresses															
			Description: Subtracts 1 from the contents of register Y. As a result of subtraction, when the contents of register Y is 15, the next instruction is skipped.															
IAE (Input Accumulator from port E)																		
Instruction code	D8	D0	Number of words	Number of cycles	Flag CY	Skip condition												
	0	0	1	0	1	0	1	1	0	2	0	5	6	16	1	1	–	–
Operation: $(A2-A0) \leftarrow (E2-E0)$			Grouping: Input/Output operation															
			Description: Transfers the contents of port E to register A.															
IAG (Input Accumulator from port G)																		
Instruction code	D8	D0	Number of words	Number of cycles	Flag CY	Skip condition												
	0	0	0	1	0	1	0	0	0	2	0	2	8	16	1	1	–	–
Operation: $(A) \leftarrow (G)$			Grouping: Input/Output operation															
			Description: Transfers the contents of port G to register A.															
INY (INcrement register Y)																		
Instruction code	D8	D0	Number of words	Number of cycles	Flag CY	Skip condition												
	0	0	0	0	1	0	0	1	1	2	0	1	3	16	1	1	–	(Y) = 0
Operation: $(Y) \leftarrow (Y) + 1$			Grouping: RAM addresses															
			Description: Adds 1 to the contents of register Y. As a result of addition, when the contents of register Y is 0, the next instruction is skipped.															

LA n (Load n in Accumulator)																			
Instruction code	D8	D0							Number of words	Number of cycles	Flag CY	Skip condition							
	0	1	0	1	1	n3	n2	n1	n0	2	0	B	n	16	1	1	-	Continuous description	
Operation:	(A) ← n n = 0 to 15																		
Grouping: Arithmetic operation																			
Description: Loads the value n in the immediate field to register A. When the LA instructions are continuously coded and executed, only the first LA instruction is executed and other LA instructions coded continuously are skipped.																			
LGOP (LoGic OPeration between accumulator and register E)																			
Instruction code	D8	D0							Number of words	Number of cycles	Flag CY	Skip condition							
	0	0	1	0	0	0	0	0	1	2	0	4	1	16	1	1	-	-	
Operation:	Logic operation XOR, OR, AND																		
Grouping: Arithmetic operation																			
Description: Executes the logic operation selected by logic operation selection register LO between the contents of register A and register E, and stores the result in register A.																			
LXY x, y (Load register X and Y with x and y)																			
Instruction code	D8	D0							Number of words	Number of cycles	Flag CY	Skip condition							
	0	1	1	x1	x0	y3	y2	y1	y0	2	0	C	+x	y	16	1	1	-	Continuous description
Operation:	(X) ← x, x = 0 to 3 (Y) ← y, y = 0 to 15																		
Grouping: RAM addresses																			
Description: Loads the value x in the immediate field to register X, and the value y in the immediate field to register Y. When the LXY instructions are continuously coded and executed, only the first LXY instruction is executed and other LXY instructions coded continuously are skipped.																			
NOP (No OPeration)																			
Instruction code	D8	D0							Number of words	Number of cycles	Flag CY	Skip condition							
	0	0	0	0	0	0	0	0	0	2	0	0	0	16	1	1	-	-	
Operation:	(PC) ← (PC) + 1																		
Grouping: Other operation																			
Description: No operation																			

OEA (Output port E from Accumulator)

Instruction code	D8	D0	Number of words	Number of cycles	Flag CY	Skip condition												
	0	1	0	0	0	0	1	0	0	2	0	8	4	16	1	1	-	-
Operation:	$(E1, E0) \leftarrow (A1, A0)$										Grouping:	Input/Output operation						
											Description:	Outputs the contents of register A to port E.						

OGA (Output port G from Accumulator)

Instruction code	D8	D0	Number of words	Number of cycles	Flag CY	Skip condition												
	0	1	0	0	0	0	0	0	0	2	0	8	0	16	1	1	-	-
Operation:	$(G) \leftarrow (A)$										Grouping:	Input/Output operation						
											Description:	Outputs the contents of register A to port G.						

POF (Power OFF1)

Instruction code	D8	D0	Number of words	Number of cycles	Flag CY	Skip condition												
	0	0	0	0	0	1	1	0	1	2	0	0	D	16	1	1	-	-
Operation:	RAM back-up										Grouping:	Other operation						
											Description:	Puts the system in RAM back-up state						

RAR (Rotate Accumulator Right)

Instruction code	D8	D0	Number of words	Number of cycles	Flag CY	Skip condition												
	0	0	0	0	1	1	1	0	1	2	0	1	D	16	1	1	0/1	-
Operation:											Grouping:	Arithmetic operation						
											Description:	Rotates 1 bit of the contents of register A including the contents of carry flag CY to the right.						

RB j (Reset Bit)

Instruction code	D8	D0		Number of words	Number of cycles	Flag CY	Skip condition											
	0	0	1	0	0	1	1	j ₁	j ₀	2	0	4	C+j	16	1	1	–	–
Operation:	(M _j (DP)) ← 0 j = 0 to 3											Grouping:	Bit operation					
												Description:	Clears (0) the contents of bit j (bit specified by the value j in the immediate field) of M(DP).					

RC (Reset Carry flag)

Instruction code	D8	D0		Number of words	Number of cycles	Flag CY	Skip condition											
	0	0	0	0	0	0	1	1	0	2	0	0	6	16	1	1	0	–
Operation:	(CY) ← 0											Grouping:	Arithmetic operation					
												Description:	Clears (0) to carry flag CY.					

RCAR (Reset CAR flag)

Instruction code	D8	D0		Number of words	Number of cycles	Flag CY	Skip condition											
	0	1	0	0	0	0	1	1	0	2	0	8	6	16	1	1	–	–
Operation:	(CAR) ← 0											Grouping:	Carrier wave control operation					
												Description:	Clears (0) to port CARR output flag.					

RD (Reset port D specified by register Y)

Instruction code	D8	D0		Number of words	Number of cycles	Flag CY	Skip condition											
	0	0	0	0	1	0	1	0	0	2	0	1	4	16	1	1	–	–
Operation:	(D _Y) ← 0 However, (Y) = 0 to 7											Grouping:	Input/Output operation					
												Description:	Clears (0) to a bit of port D specified by register Y (high-impedance state).					

RT (ReTurn from subroutine)

Instruction code	D8	D0	Number of words	Number of cycles	Flag CY	Skip condition
	0 0 1 0 0 0 1 0 0		1	2	–	–
Operation: (SP) ← (SP) – 1 (PC) ← (SK(SP))			Grouping: Return operation Description: Returns from subroutine to the routine called the subroutine.			

RTS (ReTurn from subroutine and Skip)

Instruction code	D8	D0	Number of words	Number of cycles	Flag CY	Skip condition
	0 0 1 0 0 0 1 0 1		1	2	–	Skip at uncondition
Operation: (SP) ← (SP) – 1 (PC) ← (SK(SP))			Grouping: Return operation Description: Returns from subroutine to the routine called the subroutine, and skips the next instruction at uncondition.			

SB j (Set Bit)

Instruction code	D8	D0	Number of words	Number of cycles	Flag CY	Skip condition
	0 0 1 0 1 1 1 j ₁ j ₀		1	1	–	–
Operation: (M _j (DP)) ← 1 j = 0 to 3			Grouping: Bit operation Description: Sets (1) the contents of bit j (bit specified by the value j in the immediate field) of M(DP).			

SC (Set Carry flag)

Instruction code	D8	D0	Number of words	Number of cycles	Flag CY	Skip condition
	0 0 0 0 0 0 1 1 1		1	1	1	–
Operation: (CY) ← 1			Grouping: Arithmetic operation Description: Sets (1) to carry flag CY.			

SCAR (Set CAR flag)

Instruction code	D8	D0	Number of words	Number of cycles	Flag CY	Skip condition		
	0 1 0 0 0 0 1 1 1	2	0 8 7	16	1	1	–	–
Operation:	(CAR) ← 1			Grouping:	Carrier wave control operation			
				Description:	Sets (1) to port CARR output flag (CAR).			

SD (Set port D specified by register Y)

Instruction code	D8	D0	Number of words	Number of cycles	Flag CY	Skip condition		
	0 0 0 0 1 0 1 0 1	2	0 1 5	16	1	1	–	–
Operation:	(D(Y)) ← 1 (Y) = 0 to 7			Grouping:	Input/Output operation			
				Description:	Sets (1) to a bit of port D specified by register Y.			

SEA n (Skip Equal, Accumulator with immediate data n)

Instruction code	D8	D0	Number of words	Number of cycles	Flag CY	Skip condition		
	0 0 0 1 0 0 1 0 1	2	0 2 5	16	2	2	–	(A) = n, n = 0 to 15
	0 1 0 1 1 n3 n2 n1 n0	2	0 B n	16				
Operation:	(A) = n ? n = 0 to 15			Grouping:	Comparison operation			
				Description:	Skips the next instruction when the contents of register A is equal to the value n in the immediate field.			

SEAM (Skip Equal, Accumulator with Memory)

Instruction code	D8	D0	Number of words	Number of cycles	Flag CY	Skip condition		
	0 0 0 1 0 0 1 1 0	2	0 2 6	16	1	1	–	(A) = (M(DP))
Operation:	(A) = (M(DP)) ?			Grouping:	Comparison operation			
				Description:	Skips the next instruction when the contents of register A is equal to the contents of M(DP).			

SNZP (Skip if Non Zero condition of Power down flag)

Instruction code	D8	D0	Number of words	Number of cycles	Flag CY	Skip condition
	0 0 0 0 0 0 0 0	1 1	1	1	–	(P) = 1
Operation: (P) = 1 ?			Grouping: Other operation Description: Skips the next instruction when P flag is "1". After skipping, P flag remains unchanged.			

SNZT1 (Skip if Non Zero condition of Timer 1 underflow flag)

Instruction code	D8	D0	Number of words	Number of cycles	Flag CY	Skip condition
	0 0 1 0 0 0 0 0	1 0	1	1	–	(T1F) = 1
Operation: (T1F) = 1 ? (T1F) ← 0			Grouping: Timer operation Description: Clears T1F flag and skips the next instruction when the contents of T1F flag is "1."			

SNZT2 (Skip if Non Zero condition of Timer 2 interrupt request flag)

Instruction code	D8	D0	Number of words	Number of cycles	Flag CY	Skip condition
	0 0 1 0 1 0 0 0	1 0	1	1	–	(T2F) = 1
Operation: (T2F) = 1 ? (T2F) ← 0			Grouping: Timer operation Description: Clears T2F flag and skips the next instruction when the contents of T2F flag is "1."			

SZBj (Skip if Zero, Bit)

Instruction code	D8	D0	Number of words	Number of cycles	Flag CY	Skip condition
	0 0 0 1 0 0 0	j1 j0	1	1	–	(Mj(DP)) = 0 j = 0 to 3
Operation: (Mj(DP)) = 0 ? j = 0 to 3			Grouping: Bit operation Description: Skips the next instruction when the contents of bit j (bit specified by the value j in the immediate field) of M(DP) is "0."			

SZC (Skip if Zero, Carry flag)

Instruction code	D8	D0	Number of words	Number of cycles	Flag CY	Skip condition											
	0	0	0	1	0	1	1	1	1	1	0	2	F	1	1	-	(CY) = 0
Operation:	(CY) = 0 ?						Grouping:	Arithmetic operation									
							Description:	Skips the next instruction when the contents of carry flag CY is "0."									

SZD (Skip if Zero, port D specified by register Y)

Instruction code	D8	D0	Number of words	Number of cycles	Flag CY	Skip condition										
	0	0	0	1	0	0	1	0	0	0	2	4	2	2	-	(D(Y)) = 0 (Y) = 0 to 7
	0	0	0	1	0	1	0	1	1	0	2	B				
Operation:	(D(Y)) = 0 ? (Y) = 0 to 7						Grouping:	Input/Output operation								
							Description:	Skips the next instruction when a bit of port D specified by register Y is "0."								

T1AB (Transfer data to timer 1 and register R1 from Accumulator and register B)

Instruction code	D8	D0	Number of words	Number of cycles	Flag CY	Skip condition										
	0	0	1	0	0	0	1	1	1	0	4	7	1	1	-	-
Operation:	at timer 1 stop (V10=0) (R17-R14) ← (B), (R13-R10) ← (A) (T17-T14) ← (B), (T13-T10) ← (A) at timer 1 operating (V10=1) (R17-R14) ← (B), (R13-R10) ← (A)						Grouping:	Timer operation								
							Description:	At timer 1 stop (V10 = 0), transfers the contents of register A and register B to timer 1 and reload register R1. At timer 1 operating (V10 = 1), transfers the contents of register A and register B to reload register R1.								

T2AB (Transfer data to timer 2 and register R2L from Accumulator and register B)

Instruction code	D8	D0	Number of words	Number of cycles	Flag CY	Skip condition										
	0	1	0	0	0	1	0	0	0	0	8	8	1	1	-	-
Operation:	(R2L7-R2L4) ← (B) (R2L3-R2L0) ← (A) (T27-T24) ← (B) (T23-T20) ← (A)						Grouping:	Timer operation								
							Description:	Transfers the contents of registers A and B to timer 2 and timer 2 reload register R2L.								

T2HAB (Transfer data to register R2H Accumulator from register B)

Instruction code	D8	D0	Number of words	Number of cycles	Flag CY	Skip condition
	0 1 0 0 0 1 0 0 1		1	1	–	–
Operation:	(R2H7–R2H4) ← (B) (R2H3–R2H0) ← (A)		Grouping: Timer operation Description: Transfers the contents of register A and register B to reload register R2H.			

T2R2L (Transfer data to timer 2 from register R2L)

Instruction code	D8	D0	Number of words	Number of cycles	Flag CY	Skip condition
	0 0 1 0 1 0 0 1 1		1	1	–	–
Operation:	(T27–T24) ← (R2L7–R2L4) (T23–T20) ← (R2L3–R2L0)		Grouping: Timer operation Description: Transfers the contents of reload register R2L to timer 2.			

TAB (Transfer data to Accumulator from register B)

Instruction code	D8	D0	Number of words	Number of cycles	Flag CY	Skip condition
	0 0 0 0 1 1 1 1 0		1	1	–	–
Operation:	(A) ← (B)		Grouping: Register to register transfer Description: Transfers the contents of register B to register A.			

TAB1 (Transfer data to Accumulator and register B from timer 1)

Instruction code	D8	D0	Number of words	Number of cycles	Flag CY	Skip condition
	0 0 1 0 1 0 1 1 1		1	1	–	–
Operation:	(B) ← (T17–T14) (A) ← (T13–T10)		Grouping: Timer operation Description: Transfers the contents of timer 1 to registers A and B.			

TAB2 (Transfer data to Accumulator and register B from timer 2)

Instruction code	D ₈	D ₀	Number of words	Number of cycles	Flag CY	Skip condition											
	0	0	1	0	0	0	0	0	0	0	0	4	0	1	1	-	-
Operation:	(B) ← (T27–T24)										Grouping:		Timer operation				
	(A) ← (T23–T20)										Description:		Transfers the contents of timer 2 to registers A and B.				

TABE (Transfer data to Accumulator and register B from register E)

Instruction code	D ₈	D ₀	Number of words	Number of cycles	Flag CY	Skip condition										
	0	0	0	1	0	1	0	1	0	0	2	A	1	1	-	-
Operation:	(B) ← (ER7–ER4)										Grouping:		Register to register transfer			
	(A) ← (ER3–ER0)										Description:		Transfers the contents of register E to registers A and B.			

TABP p (Transfer data to Accumulator and register B from Program memory in page p)

Instruction code	D ₈	D ₀	Number of words	Number of cycles	Flag CY	Skip condition										
	0	1	0	0	1	p ₃	p ₂	p ₁	p ₀	0	9	p	1	3	- 0/1	-
Operation:	SK(SP) ← (PC), (SP) ← (SP) + 1										Grouping:		Arithmetic operation			
	(PC _H) ← p, (Note), (PC _L) ← (DR ₂ –DR ₀ , A ₃ –A ₀)										Description:		Transfers bits 7 to 4 to register B and bits 3 to 0 to register A when URS flag is cleared to "0". These bits 7 to 0 are the ROM pattern in address (DR ₂ DR ₁ DR ₀ A ₃ A ₂ A ₁ A ₀) specified by registers A and D in page p.			
	When URS = 0,										CY=0/1:		Transfers bit 8 ROM pattern is transferred to flag CY when URS flag is set to "1". (after the URSC instruction is executed). (One of stack is used when the TABP p instruction is executed.)			
	(B) ← (ROM(PC)) _{7 to 4} , (A) ← (ROM(PC)) _{3 to 0}										Note:		p is 0 to 15.			
	When URS = 1,															
	(CY) ← (ROM(PC)) ₈															
	(B) ← (ROM(PC)) _{7 to 4} , (A) ← (ROM(PC)) _{3 to 0}															
	(SP) ← (SP) – 1, (PC) ← (SK(SP))															

TAMj (Transfer data to Accumulator from Memory)

Instruction code	D ₈	D ₀	Number of words	Number of cycles	Flag CY	Skip condition										
	0	0	1	1	0	0	1	j ₁	j ₀	0	6	4 +j	1	1	-	-
Operation:	(A) ← (M(DP))										Grouping:		RAM to register transfer			
	(X) ← (X)EXOR(j)										Description:		After transferring the contents of M(DP) to register A, an exclusive OR operation is performed between register X and the value j in the immediate field, and stores the result in register X.			
	j = 0 to 3															

TAY (Transfer data to Accumulator from register Y)

Instruction code	D8	D0	Number of words	Number of cycles	Flag CY	Skip condition										
	0	0	0	0	1	1	1	1	1	0	1	F	1	1	-	-
Operation:	(A) ← (Y)						Grouping:	Register to register transfer								
							Description:	Transfers the contents of register Y to register A.								

TBA (Transfer data to register B from Accumulator)

Instruction code	D8	D0	Number of words	Number of cycles	Flag CY	Skip condition										
	0	0	0	0	0	1	1	1	0	0	0	E	1	1	-	-
Operation:	(B) ← (A)						Grouping:	Register to register transfer								
							Description:	Transfers the contents of register A to register B.								

TDA (Transfer data to register D from Accumulator)

Instruction code	D8	D0	Number of words	Number of cycles	Flag CY	Skip condition										
	0	0	0	1	0	1	0	0	1	0	2	9	1	1	-	-
Operation:	(DR ₂ -DR ₀) ← (A ₂ -A ₀)						Grouping:	Register to register transfer								
							Description:	Transfers the contents of register A to register D.								

TEAB (Transfer data to register E from Accumulator and register B)

Instruction code	D8	D0	Number of words	Number of cycles	Flag CY	Skip condition										
	0	0	0	0	1	1	0	1	0	0	1	A	1	1	-	-
Operation:	(ER ₇ -ER ₄) ← (B)						Grouping:	Register to register transfer								
	(ER ₃ -ER ₀) ← (A)						Description:	Transfers the contents of register A and register B to register E.								

TLOA (Transfer data to register LO from Accumulator)

Instruction code	D8	D0	Number of words	Number of cycles	Flag CY	Skip condition
	0 0 1 0 1 1 0 0 0		1	1	–	–
Operation:	(LO1, LO0) ← (A1, A0)		Grouping: Other operation			
			Description: Transfers the contents of register A to logic operation selection register LO.			

TPU0A (Transfer data to register PU0 from Accumulator)

Instruction code	D8	D0	Number of words	Number of cycles	Flag CY	Skip condition
	0 1 0 0 0 1 1 1 1		1	1	–	–
Operation:	(PU03–PU00) ← (A3–A0)		Grouping: Other operation			
			Description: Transfers the contents of register A to pull-up control register PU0.			

TPU1A (Transfer data to register PU1 from Accumulator)

Instruction code	D8	D0	Number of words	Number of cycles	Flag CY	Skip condition
	0 1 0 0 0 1 1 1 0		1	1	–	–
Operation:	(PU13–PU10) ← (A3–A0)		Grouping: Other operation			
			Description: Transfers the contents of register A to pull-up control register PU1.			

TPU2A (Transfer data to register PU2 from Accumulator)

Instruction code	D8	D0	Number of words	Number of cycles	Flag CY	Skip condition
	0 1 0 0 0 1 1 0 1		1	1	–	–
Operation:	(PU23–PU20) ← (A3–A0)		Grouping: Other operation			
			Description: Transfers the contents of register A to pull-up control register PU2.			

TV1A (Transfer data to register V1 from Accumulator)

Instruction code	D8	D0	Number of words	Number of cycles	Flag CY	Skip condition
	0 0 1 0 1 0 1 1 1	1 1 1	1	1	–	–
Operation: $(V_{12}-V_{10}) \leftarrow (A_2-A_0)$						
Grouping: Timer operation						
Description: Transfers the contents of register A to register V1.						

TV2A (Transfer data to register V2 from Accumulator)

Instruction code	D8	D0	Number of words	Number of cycles	Flag CY	Skip condition
	0 0 1 0 1 1 0 1 0	1 0	1	1	–	–
Operation: $(V_{23}-V_{20}) \leftarrow (A_3-A_0)$						
Grouping: Timer operation						
Description: Transfers the contents of register A to register V2.						

TYA (Transfer data to register Y from Accumulator)

Instruction code	D8	D0	Number of words	Number of cycles	Flag CY	Skip condition
	0 0 0 0 0 1 1 0 0	0 0	1	1	–	–
Operation: $(Y) \leftarrow (A)$						
Grouping: Register to register transfer						
Description: Transfers the contents of register A to register Y.						

URSC (Sets Upper ROM Code reference enable flag)

Instruction code	D8	D0	Number of words	Number of cycles	Flag CY	Skip condition
	0 1 0 0 0 0 0 1 0	0	1	1	–	–
Operation: $(URS) \leftarrow 1$						
Grouping: Other operation						
Description: Sets the most significant ROM code reference enable flag (URS) to "1."						

WRST (Watchdog timer ReSeT)

Instruction code	D8	D0	Number of words	Number of cycles	Flag CY	Skip condition
	0 0 0 0 0 1 1 1 1	$j_1 j_0$	1	1	–	–
Operation: (WDF1) ← 0			Grouping: Other operation			
			Description: Initializes the watchdog timer flag (WDF1).			

XAM j (eXchange Accumulator and Memory data)

Instruction code	D8	D0	Number of words	Number of cycles	Flag CY	Skip condition
	0 0 1 1 0 0 0 $j_1 j_0$	$j_1 j_0$	1	1	–	–
Operation: (A) ← → (M(DP)) (X) ← (X)EXOR(j) j = 0 to 3			Grouping: RAM to register transfer			
			Description: After exchanging the contents of M(DP) with the contents of register A, an exclusive OR operation is performed between register X and the value j in the immediate field, and stores the result in register X.			

XAMD j (eXchange Accumulator and Memory data and Decrement register Y and skip)

Instruction code	D8	D0	Number of words	Number of cycles	Flag CY	Skip condition
	0 0 1 1 0 1 1 $j_1 j_0$	$j_1 j_0$	1	1	–	(Y) = 15
Operation: (A) ← → (M(DP)) (X) ← (X)EXOR(j) j = 0 to 3 (Y) ← (Y) – 1			Grouping: RAM to register transfer			
			Description: After exchanging the contents of M(DP) with the contents of register A, an exclusive OR operation is performed between register X and the value j in the immediate field, and stores the result in register X. Subtracts 1 from the contents of register Y. As a result of subtraction, when the contents of register Y is 15, the next instruction is skipped.			

XAMI j (eXchange Accumulator and Memory data and Increment register Y and skip)

Instruction code	D8	D0	Number of words	Number of cycles	Flag CY	Skip condition
	0 0 1 1 0 1 0 $j_1 j_0$	$j_1 j_0$	1	1	–	(Y) = 0
Operation: (A) ← → (M(DP)) (X) ← (X)EXOR(j) j = 0 to 3 (Y) ← (Y) + 1			Grouping: RAM to register transfer			
			Description: After exchanging the contents of M(DP) with the contents of register A, an exclusive OR operation is performed between register X and the value j in the immediate field, and stores the result in register X. Adds 1 to the contents of register Y. As a result of addition, when the contents of register Y is 0, the next instruction is skipped.			

INSTRUCTION CODE TABLE

D3–D0	D8–D4 Hex. notation	00000	00001	00010	00011	00100	00101	00110	00111	01000	01001	01010	01011	01100	01101	01110	01111	10000	11000
		00	01	02	03	04	05	06	07	08	09	0A	0B	0C	0D	0E	0F	10–17	18–1F
0000	0	NOP	BLA	SZB 0	BL	TAB2	BMLA	XAM 0	BML	OGA	TABP 0	A 0	LA 0	LXY 0,0	LXY 1,0	LXY 2,0	LXY 3,0	BM	B
0001	1	BA	CLD	SZB 1	BL	LGOP	—	XAM 1	BML	—	TABP 1	A 1	LA 1	LXY 0,1	LXY 1,1	LXY 2,1	LXY 3,1	BM	B
0010	2	—	—	SZB 2	BL	SNZT1	SNZT2	XAM 2	BML	URSC	TABP 2	A 2	LA 2	LXY 0,2	LXY 1,2	LXY 2,2	LXY 3,2	BM	B
0011	3	SNZP	INY	SZB 3	BL	—	T2R2L	XAM 3	BML	—	TABP 3	A 3	LA 3	LXY 0,3	LXY 1,3	LXY 2,3	LXY 3,3	BM	B
0100	4	—	RD	SZD	BL	RT	—	TAM 0	BML	OEA	TABP 4	A 4	LA 4	LXY 0,4	LXY 1,4	LXY 2,4	LXY 3,4	BM	B
0101	5	—	SD	SEAn	BL	RTS	—	TAM 1	BML	—	TABP 5	A 5	LA 5	LXY 0,5	LXY 1,5	LXY 2,5	LXY 3,5	BM	B
0110	6	RC	—	SEAM	BL	—	IAE	TAM 2	BML	RCAR	TABP 6	A 6	LA 6	LXY 0,6	LXY 1,6	LXY 2,6	LXY 3,6	BM	B
0111	7	SC	DEY	—	BL	T1AB	TAB1	TAM 3	BML	SCAR	TABP 7	A 7	LA 7	LXY 0,7	LXY 1,7	LXY 2,7	LXY 3,7	BM	B
1000	8	—	—	IAG	BL	—	TLOA	XAMI 0	BML	T2AB	TABP 8	A 8	LA 8	LXY 0,8	LXY 1,8	LXY 2,8	LXY 3,8	BM	B
1001	9	—	CCK2	TDA	BL	—	CCK	XAMI 1	BML	T2HAB	TABP 9	A 9	LA 9	LXY 0,9	LXY 1,9	LXY 2,9	LXY 3,9	BM	B
1010	A	AM	TEAB	TABE	BL	—	TV2A	XAMI 2	BML	—	TABP 10	A 10	LA 10	LXY 0,10	LXY 1,10	LXY 2,10	LXY 3,10	BM	B
1011	B	AMC	—	—	BL	—	TV1A	XAMI 3	BML	—	TABP 11	A 11	LA 11	LXY 0,11	LXY 1,11	LXY 2,11	LXY 3,11	BM	B
1100	C	TYA	CMA	—	BL	RB 0	SB 0	XAMD 0	BML	—	TABP 12	A 12	LA 12	LXY 0,12	LXY 1,12	LXY 2,12	LXY 3,12	BM	B
1101	D	POF	RAR	CCK4	BL	RB 1	SB 1	XAMD 1	BML	TPU2A	TABP 13	A 13	LA 13	LXY 0,13	LXY 1,13	LXY 2,13	LXY 3,13	BM	B
1110	E	TBA	TAB	CLVD	BL	RB 2	SB 2	XAMD 2	BML	TPU1A	TABP 14	A 14	LA 14	LXY 0,14	LXY 1,14	LXY 2,14	LXY 3,14	BM	B
1111	F	WRST	TAY	SZC	BL	RB 3	SB 3	XAMD 3	BML	TPU0A	TABP 15	A 15	LA 15	LXY 0,15	LXY 1,15	LXY 2,15	LXY 3,15	BM	B

The above table shows the relationship between machine language codes and machine language instructions. D3–D0 show the low-order 4 bits of the machine language code, and D8–D4 show the high-order 5 bits of the machine language code. The hexadecimal representation of the code is also provided. There are one-word instructions and two-word instructions, but only the first word of each instruction is shown. Do not use the code marked “—.”

The codes for the second word of a two-word instruction are described below.

	The second word
BL	1 1 a a a a a a a
BML	1 0 a a a a a a a
BA	1 1 a a a a a a a
BLA	1 1 a a a p p p p
BMLA	1 0 a a a p p p p
SEA	0 1 0 1 1 n n n n
SZD	0 0 0 1 0 1 0 1 1

MACHINE INSTRUCTIONS (INDEX BY FUNCTION)

Parameter Type of instructions	Mnemonic	Instruction code									Hexadecimal notation	Number of words	Number of cycles	Function
		D8	D7	D6	D5	D4	D3	D2	D1	D0				
Register to register transfer	TAB	0	0	0	0	1	1	1	1	0	0 1 E	1	1	(A) ← (B)
	TBA	0	0	0	0	0	1	1	1	0	0 0 E	1	1	(B) ← (A)
	TAY	0	0	0	0	1	1	1	1	1	0 1 F	1	1	(A) ← (Y)
	TYA	0	0	0	0	0	1	1	0	0	0 0 C	1	1	(Y) ← (A)
	TEAB	0	0	0	0	1	1	0	1	0	0 1 A	1	1	(ER ₇ –ER ₄) ← (B) (ER ₃ –ER ₀) ← (A)
	TABE	0	0	0	1	0	1	0	1	0	0 2 A	1	1	(B) ← (ER ₇ –ER ₄) (A) ← (ER ₃ –ER ₀)
	TDA	0	0	0	1	0	1	0	0	1	0 2 9	1	1	(DR ₂ –DR ₀) ← (A ₂ –A ₀)
RAM addresses	LXY x, y	0	1	1	x ₁	x ₀	y ₃	y ₂	y ₁	y ₀	0 C y +x	1	1	(X) ← x, x = 0 to 3 (Y) ← y, y = 0 to 15
	INY	0	0	0	0	1	0	0	1	1	0 1 3	1	1	(Y) ← (Y) + 1
	DEY	0	0	0	0	1	0	1	1	1	0 1 7	1	1	(Y) ← (Y) – 1
RAM to register transfer	TAM j	0	0	1	1	0	0	1	j ₁	j ₀	0 6 4 +j	1	1	(A) ← (M(DP)) (X) ← (X) EXOR(j) j = 0 to 3
	XAM j	0	0	1	1	0	0	0	j ₁	j ₀	0 6 j	1	1	(A) ↔ (M(DP)) (X) ← (X) EXOR(j) j = 0 to 3
	XAMD j	0	0	1	1	0	1	1	j ₁	j ₀	0 6 C +j	1	1	(A) ↔ (M(DP)) (X) ← (X) EXOR(j) j = 0 to 3 (Y) ← (Y) – 1
	XAMI j	0	0	1	1	0	1	0	j ₁	j ₀	0 6 8 +j	1	1	(A) ↔ (M(DP)) (X) ← (X) EXOR(j) j = 0 to 3 (Y) ← (Y) + 1

Skip condition	Carry flag CY	Detailed description
<ul style="list-style-type: none"> – – – – – – – 	<ul style="list-style-type: none"> – – – – – – – 	<ul style="list-style-type: none"> Transfers the contents of register B to register A. Transfers the contents of register A to register B. Transfers the contents of register Y to register A. Transfers the contents of register A to register Y. Transfers the contents of registers A and B to register E. Transfers the contents of register E to registers A and B. Transfers the contents of register A to register D.
<p>Continuous description</p> <p>(Y) = 0</p> <p>(Y) = 15</p>	<ul style="list-style-type: none"> – – – 	<ul style="list-style-type: none"> Loads the value x in the immediate field to register X, and the value y in the immediate field to register Y. When the LXY instructions are continuously coded and executed, only the first LXY instruction is executed and other LXY instructions coded continuously are skipped. Adds 1 to the contents of register Y. As a result of addition, when the contents of register Y is 0, the next instruction is skipped. Subtracts 1 from the contents of register Y. As a result of subtraction, when the contents of register Y is 15, the next instruction is skipped.
<ul style="list-style-type: none"> – – (Y) = 15 (Y) = 0 	<ul style="list-style-type: none"> – – – – 	<ul style="list-style-type: none"> After transferring the contents of M(DP) to register A, an exclusive OR operation is performed between register X and the value j in the immediate field, and stores the result in register X. After exchanging the contents of M(DP) with the contents of register A, an exclusive OR operation is performed between register X and the value j in the immediate field, and stores the result in register X. After exchanging the contents of M(DP) with the contents of register A, an exclusive OR operation is performed between register X and the value j in the immediate field, and stores the result in register X. Subtracts 1 from the contents of register Y. As a result of subtraction, when the contents of register Y is 15, the next instruction is skipped. After exchanging the contents of M(DP) with the contents of register A, an exclusive OR operation is performed between register X and the value j in the immediate field, and stores the result in register X. Adds 1 to the contents of register Y. As a result of addition, when the contents of register Y is 0, the next instruction is skipped.

MACHINE INSTRUCTIONS (CONTINUED)

Parameter Type of instructions	Mnemonic	Instruction code									Hexadecimal notation	Number of words	Number of cycles	Function
		D8	D7	D6	D5	D4	D3	D2	D1	D0				
Arithmetic operation	LA n	0	1	0	1	1	n ₃	n ₂	n ₁	n ₀	0 B n	1	1	(A) ← n n = 0 to 15
	TABP p	0	1	0	0	1	p ₃	p ₂	p ₁	p ₀	0 9 p	1	3	(SK(SP)) ← (PC) (SP) ← (SP) + 1 (PC _H) ← p (Note) (PC _L) ← (DR ₂ –DR ₀ , A ₃ –A ₀) When URS=0, (B) ← (ROM(PC)) _{7 to 4} (A) ← (ROM(PC)) _{3 to 0} When URS=1, (CY) ← (ROM(PC)) ₈ (B) ← (ROM(PC)) _{7 to 4} (A) ← (ROM(PC)) _{3 to 0} (SP) ← (SP) – 1 (PC) ← (SK(SP))
	AM	0	0	0	0	0	1	0	1	0	0 0 A	1	1	(A) ← (A) + (M(DP))
	AMC	0	0	0	0	0	1	0	1	1	0 0 B	1	1	(A) ← (A) + (M(DP)) + (CY) (CY) ← Carry
	A n	0	1	0	1	0	n ₃	n ₂	n ₁	n ₀	0 A n	1	1	(A) ← (A) + n n = 0 to 15
	SC	0	0	0	0	0	0	1	1	1	0 0 7	1	1	(CY) ← 1
	RC	0	0	0	0	0	0	1	1	0	0 0 6	1	1	(CY) ← 0
	SZC	0	0	0	1	0	1	1	1	1	0 2 F	1	1	(CY) = 0 ?
	CMA	0	0	0	0	1	1	1	0	0	0 1 C	1	1	(A) ← (A̅)
	RAR	0	0	0	0	1	1	1	0	1	0 1 D	1	1	→ CY → A ₃ A ₂ A ₁ A ₀
LGOP	0	0	1	0	0	0	0	0	1	0 4 1	1	1	Logic operation instruction XOR, OR, AND	

Note: p is 0 to 15.

Skip condition	Carry flag CY	Detailed description
Continuous description	–	Loads the value n in the immediate field to register A. When the LA instructions are continuously coded and executed, only the first LA instruction is executed and other LA instructions coded continuously are skipped.
–	–	Transfers bits 7 to 4 to register B and bits 3 to 0 to register A when URS flag is cleared to “0.” These bits 7 to 0 are the ROM pattern in address (DR ₂ DR ₁ DR ₀ A ₃ A ₂ A ₁ A ₀) specified by registers A and D in page p.
	0/1	Transfers bit 8 of ROM pattern is transferred to flag CY when URS flag is set to “1” (after the URSC instruction is executed). (One of stack is used when the TABP p instruction is executed.)
–	–	Adds the contents of M(DP) to register A. Stores the result in register A. The contents of carry flag CY remains unchanged.
–	0/1	Adds the contents of M(DP) and carry flag CY to register A. Stores the result in register A and carry flag CY.
Overflow = 0	–	Adds the value n in the immediate field to register A. The contents of carry flag CY remains unchanged. Skips the next instruction when there is no overflow as the result of operation.
–	1	Sets (1) to carry flag CY.
–	0	Clears (0) to carry flag CY.
(CY) = 0	–	Skips the next instruction when the contents of carry flag CY is “0.”
–	–	Stores the one’s complement for register A’s contents in register A.
–	0/1	Rotates 1 bit of the contents of register A including the contents of carry flag CY to the right.
–	–	Executes the logic operation selected by logic operation selection register LO between the contents of register A and register E, and stores the result in register A.

MACHINE INSTRUCTIONS (CONTINUED)

Parameter Type of instructions	Mnemonic	Instruction code									Hexadecimal notation	Number of words	Number of cycles	Function
		D8	D7	D6	D5	D4	D3	D2	D1	D0				
Bit operation	SB j	0	0	1	0	1	1	1	j ₁	j ₀	0 5 C +j	1	1	(M _j (DP)) ← 1 j = 0 to 3
	RB j	0	0	1	0	0	1	1	j ₁	j ₀	0 4 C +j	1	1	(M _j (DP)) ← 0 j = 0 to 3
	SZB j	0	0	0	1	0	0	0	j ₁	j ₀	0 2 j	1	1	(M _j (DP)) = 0 ? j = 0 to 3
Comparison operation	SEAM	0	0	0	1	0	0	1	1	0	0 2 6	1	1	(A) = (M(DP)) ?
	SEA n	0	0	0	1	0	0	1	0	1	0 2 5	2	2	(A) = n ? n = 0 to 15
		0	1	0	1	1	n ₃	n ₂	n ₁	n ₀	0 B n			
Branch operation	B a	1	1	a ₆	a ₅	a ₄	a ₃	a ₂	a ₁	a ₀	1 8 a +a	1	1	(PCL) ← a ₆ -a ₀
	BL p, a	0	0	0	1	1	p ₃	p ₂	p ₁	p ₀	0 3 p	2	2	(PC _H) ← p (PCL) ← a ₆ -a ₀ (Note)
		1	1	a ₆	a ₅	a ₄	a ₃	a ₂	a ₁	a ₀	1 8 a +a			
	BA a	0	0	0	0	0	0	0	0	1	0 0 1	2	2	(PCL) ← (a ₆ -a ₄ , A ₃ -A ₀)
		1	1	a ₆	a ₅	a ₄	a ₃	a ₂	a ₁	a ₀	1 8 a +a			
	BLA p, a	0	0	0	0	1	0	0	0	0	0 1 0	2	2	(PC _H) ← p (PCL) ← (a ₆ -a ₄ , A ₃ -A ₀) (Note)
	1	1	a ₆	a ₅	a ₄	p ₃	p ₂	p ₁	p ₀	1 8 p +a				

Note: p is 0 to 15.

Skip condition	Carry flag CY	Detailed description
–	–	Sets (1) the contents of bit j (bit specified by the value j in the immediate field) of M(DP).
–	–	Clears (0) the contents of bit j (bit specified by the value j in the immediate field) of M(DP).
(Mj(DP)) = 0 j = 0 to 3	–	Skips the next instruction when the contents of bit j (bit specified by the value j in the immediate field) of M(DP) is "0."
(A) = (M(DP))	–	Skips the next instruction when the contents of register A is equal to the contents of M(DP).
(A) = n n = 0 to 15	–	Skips the next instruction when the contents of register A is equal to the value n in the immediate field.
–	–	Branch within a page : Branches to address a in the identical page.
–	–	Branch out of a page : Branches to address a in page p.
–	–	Branch within a page : Branches to address (a ₆ a ₅ a ₄ A ₃ A ₂ A ₁ A ₀) determined by replacing the low-order 4 bits of the address a in the identical page with register A.
–	–	Branch out of a page : Branches to address (a ₆ a ₅ a ₄ A ₃ A ₂ A ₁ A ₀) determined by replacing the low-order 4 bits of the address a in page p with register A.

MACHINE INSTRUCTIONS (CONTINUED)

Parameter Type of instructions	Mnemonic	Instruction code									Hexadecimal notation	Number of words	Number of cycles	Function
		D8	D7	D6	D5	D4	D3	D2	D1	D0				
Subroutine operation	BM a	1	0	a6	a5	a4	a3	a2	a1	a0	1 a a	1	1	(SK(SP)) ← (PC) (SP) ← (SP) + 1 (PC _H) ← 2 (PC _L) ← a6–a0
	BML p, a	0	0	1	1	1	p3	p2	p1	p0	0 7 p	2	2	(SK(SP)) ← (PC) (SP) ← (SP) + 1 (PC _H) ← p (PC _L) ← a6–a0 (Note)
		1	0	a6	a5	a4	a3	a2	a1	a0	1 a a			
	BMLA p, a	0	0	1	0	1	0	0	0	0	0 5 0	2	2	(SK(SP)) ← (PC) (SP) ← (SP) + 1 (PC _H) ← p (PC _L) ← (a6–a4, A3–A0) (Note)
1		0	a6	a5	a4	p3	p2	p1	p0	1 a p				
Return operation	RT	0	0	1	0	0	0	1	0	0	0 4 4	1	2	(SP) ← (SP) – 1 (PC) ← (SK(SP))
	RTS	0	0	1	0	0	0	1	0	1	0 4 5	1	2	(SP) ← (SP) – 1 (PC) ← (SK(SP))
Timer operation	T1AB	0	0	1	0	0	0	1	1	1	0 4 7	1	1	at timer 1 stop (V10=0) (R17–R14) ← (B), (R13–R10) ← (A) (T17–T14) ← (B), (T13–T10) ← (A) at timer 1 operating (V10=1) (R17–R14) ← (B), (R13–R10) ← (A)
	TAB1	0	0	1	0	1	0	1	1	1	0 5 7	1	1	(B) ← (T17–T14) (A) ← (T13–T10)
	TV1A	0	0	1	0	1	1	0	1	1	0 5 B	1	1	(V12–V10) ← (A2–A0)
	SNZT1	0	0	1	0	0	0	0	1	0	0 4 2	1	1	(T1F) = 1 ? (T1F) ← 0
	T2AB	0	1	0	0	0	1	0	0	0	0 8 8	1	1	(R2L7–R2L4) ← (B) (R2L3–R2L0) ← (A) (T27–T24) ← (B), (T23–T20) ← (A)

Note : p is 0 to 15.

Skip condition	Carry flag CY	Detailed description
-	-	Call the subroutine in page 2 : Calls the subroutine at address a in page 2.
-	-	Call the subroutine : Calls the subroutine at address a in page p.
-	-	Call the subroutine : Calls the subroutine at address (a ₆ a ₅ a ₄ A ₃ A ₂ A ₁ A ₀) determined by replacing the low-order 4 bits of address a in page p with register A.
-	-	Returns from subroutine to the routine called the subroutine.
Skip at uncondition	-	Returns from subroutine to the routine called the subroutine, and skips the next instruction at uncondition.
-	-	At timer 1 stop (V1 ₀ = 0), transfers the contents of register A and register B to timer 1 and reload register R1. At timer 1 operating (V1 ₀ = 1), transfers the contents of register A and register B to reload register R1.
-	-	Transfers the contents of timer 1 to registers A and B.
-	-	Transfers the contents of register A to registers V1.
(T1F) = 1	-	Clears T1F flag and skips the next instruction when the contents of T1F flag is "1."
-	-	Transfers the contents of register A and register B to timer 2 and reload register R2L.

MACHINE INSTRUCTIONS (CONTINUED)

Parameter Type of instructions	Mnemonic	Instruction code								Hexadecimal notation	Number of words	Number of cycles	Function	
		D ₈	D ₇	D ₆	D ₅	D ₄	D ₃	D ₂	D ₁					D ₀
Timer operation	TAB2	0	0	1	0	0	0	0	0	0	0 4 0	1	1	(B) ← (T ₂₇ –T ₂₄), (A) ← (T ₂₃ –T ₂₀)
	TV2A	0	0	1	0	1	1	0	1	0	0 5 A	1	1	(V ₂₃ –V ₂₀) ← (A ₃ –A ₀)
	SNZT2	0	0	1	0	1	0	0	1	0	0 5 2	1	1	(T _{2F}) = 1 ? (T _{2F}) ← 0
	T2HAB	0	1	0	0	0	1	0	0	1	0 8 9	1	1	(R _{2H7} –R _{2H4}) ← (B) (R _{2H3} –R _{2H0}) ← (A)
	T2R2L	0	0	1	0	1	0	0	1	1	0 5 3	1	1	(T ₂₇ –T ₂₄) ← (R _{2L7} –R _{2L4}) (T ₂₃ –T ₂₀) ← (R _{2L3} –R _{2L0})
Carrier wave control operation	SCAR	0	1	0	0	0	0	1	1	1	0 8 7	1	1	(CAR) ← 1
	RCAR	0	1	0	0	0	0	1	1	0	0 8 6	1	1	(CAR) ← 0
Input/Output operation	CLD	0	0	0	0	1	0	0	0	1	0 1 1	1	1	(D) ← 0
	RD	0	0	0	0	1	0	1	0	0	0 1 4	1	1	(D(Y)) ← 0 (Y) = 0 to 7
	SD	0	0	0	0	1	0	1	0	1	0 1 5	1	1	(D(Y)) ← 1 (Y) = 0 to 7
	SZD	0	0	0	1	0	0	1	0	0	0 2 4	2	2	(D(Y)) = 0 ? (Y) = 0 to 7
		0	0	0	1	0	1	0	1	1	0 2 B			
	OEA	0	1	0	0	0	0	1	0	0	0 8 4	1	1	(E ₁ , E ₀) ← (A ₁ , A ₀)
	IAE	0	0	1	0	1	0	1	1	0	0 5 6	1	1	(A ₂ –A ₀) ← (E ₂ –E ₀)
	OGA	0	1	0	0	0	0	0	0	0	0 8 0	1	1	(G) ← (A)
IAG	0	0	0	1	0	1	0	0	0	0 2 8	1	1	(A) ← (G)	

Skip condition	Carry flag CY	Detailed description
<ul style="list-style-type: none"> – – (T2F) = 1 – – 	<ul style="list-style-type: none"> – – – – – 	<ul style="list-style-type: none"> Transfers the contents of timer 2 to registers A and B. Transfers the contents of register A to registers V2. Clears T2F flag and skips the next instruction when the contents of T2F flag is "1." Transfers the contents of register A and register B to reload register R2H. Transfers the contents of reload register R2L to timer 2.
<ul style="list-style-type: none"> – – 	<ul style="list-style-type: none"> – – 	<ul style="list-style-type: none"> Sets (1) to port CARR output flag (CAR). Clears (0) to port CARR output flag (CAR).
<ul style="list-style-type: none"> – – – (D(Y)) = 0 (Y) = 0 to 7 – – – – 	<ul style="list-style-type: none"> – – – – – – – – 	<ul style="list-style-type: none"> Clears (0) to port D (high-impedance state). Clears (0) to a bit of port D specified by register Y (high-impedance state). Sets (1) to a bit of port D specified by register Y. Skips the next instruction when a bit of port D specified by register Y is "0." Outputs the contents of register A to port E. Transfers the contents of port E to register A. Outputs the contents of register A to port G. Transfers the contents of port G to register A.

Parameter Type of instructions	Mnemonic	Instruction code										Number of words	Number of cycles	Function	
		D8	D7	D6	D5	D4	D3	D2	D1	D0	Hexadecimal notation				
Other operation	NOP	0	0	0	0	0	0	0	0	0	0	0 0 0	1	1	(PC) ← (PC) + 1
	POF	0	0	0	0	0	1	1	0	1	0 0 D	1	1	RAM back-up	
	SNZP	0	0	0	0	0	0	0	1	1	0 0 3	1	1	(P) = 1 ?	
	CCK	0	0	1	0	1	1	0	0	1	0 5 9	1	1	STCK changes to f(X _{IN})	
	CCK2	0	0	0	0	1	1	0	0	1	0 1 9	1	1	STCK changes to f(X _{IN})/2	
	CCK4	0	0	0	1	0	1	1	0	1	0 2 D	1	1	STCK changes to f(X _{IN})/4	
	CLVD	0	0	0	1	0	1	1	1	0	0 2 E	1	1	Reset occurrence voltage 1.5V → 1.7V	
	TLOA	0	0	1	0	1	1	0	0	0	0 5 8	1	1	(LO ₁ , LO ₀) ← (A ₁ , A ₀)	
	URSC	0	1	0	0	0	0	0	1	0	0 8 2	1	1	(URS) ← 1	
	TPU0A	0	1	0	0	0	1	1	1	1	0 8 F	1	1	(PU ₀₃ –PU ₀₀) ← (A ₃ –A ₀)	
	TPU1A	0	1	0	0	0	1	1	1	0	0 8 E	1	1	(PU ₁₃ –PU ₁₀) ← (A ₃ –A ₀)	
	TPU2A	0	1	0	0	0	1	1	0	1	0 8 D	1	1	(PU ₂₃ –PU ₂₀) ← (A ₃ –A ₀)	
	WRST	0	0	0	0	0	1	1	1	1	0 0 F	1	1	(WDF1) ← 0	

Skip condition	Carry flag CY	Detailed description
-	-	No operation
-	-	Puts the system in RAM back-up state.
(P) = 1	-	Skips the next instruction when P flag is "1". After skipping, P flag remains unchanged.
-	-	System clock (STCK) changes to $f(X_{IN})$ from $f(X_{IN})/8$.
-	-	System clock (STCK) changes to $f(X_{IN})/2$ from $f(X_{IN})/8$.
-	-	System clock (STCK) changes to $f(X_{IN})/4$ from $f(X_{IN})/8$.
-	-	Change detection voltage from 1.5V to 1.7V ($T_a = 25^{\circ}\text{C}$, Typ).
-	-	Transfers the contents of register A to the logic operation selection register LO.
-	-	Sets the most significant ROM code reference enable flag (URS) to "1."
-	-	Transfers the contents of register A to register PU0.
-	-	Transfers the contents of register A to register PU1.
-	-	Transfers the contents of register A to register PU2.
-	-	Initializes the watchdog timer flag (WDF1).

REGISTER STRUCTURE

Timer control register V1		at reset : 000 ₂	at RAM back-up : 000 ₂	W
V1 ₂	Carrier wave output auto-control bit	0	Auto-control output by timer 1 is invalid	
		1	Auto-control output by timer 1 is valid	
V1 ₁	Timer 1 count source selection bit	0	Carrier wave output (CARRY)	
		1	Bit 5 of watchdog timer (WDT)	
V1 ₀	Timer 1 control bit	0	Stop (Timer 1 state retained)	
		1	Operating	

Timer control register V2		at reset : 0000 ₂	at RAM back-up : 0000 ₂	W
V2 ₃	Carrier wave "H" interval expansion bit	0	To expand "H" interval is invalid	
		1	To expand "H" interval is valid (when V2 ₂ =1 selected)	
V2 ₂	Carrier wave generation function control bit	0	Carrier wave generation function invalid	
		1	Carrier wave generation function valid	
V2 ₁	Timer 2 count source selection bit	0	f(X _{IN})	
		1	f(X _{IN})/2	
V2 ₀	Timer 2 control bit	0	Stop (Timer 2 state retained)	
		1	Operating	

Pull-down control register PU0		at reset : 0000 ₂	at RAM back-up : state retained	W
PU0 ₃	Ports G ₂ , G ₃ pull-down transistor control bit	0	Pull-down transistor OFF, key-on wakeup invalid	
		1	Pull-down transistor ON, key-on wakeup valid	
PU0 ₂	Ports G ₀ , G ₁ pull-down transistor control bit	0	Pull-down transistor OFF, key-on wakeup invalid	
		1	Pull-down transistor ON, key-on wakeup valid	
PU0 ₁	Port E ₁ pull-down transistor control bit	0	Pull-down transistor OFF, key-on wakeup invalid	
		1	Pull-down transistor ON, key-on wakeup valid	
PU0 ₀	Port E ₀ pull-down transistor control bit	0	Pull-down transistor OFF, key-on wakeup invalid	
		1	Pull-down transistor ON, key-on wakeup valid	

Pull-down control register PU1		at reset : 0000 ₂	at RAM back-up : state retained	W
PU1 ₃	Port D ₇ pull-down transistor control bit	0	Pull-down transistor OFF, key-on wakeup invalid	
		1	Pull-down transistor ON, key-on wakeup valid	
PU1 ₂	Port D ₆ pull-down transistor control bit	0	Pull-down transistor OFF, key-on wakeup invalid	
		1	Pull-down transistor ON, key-on wakeup valid	
PU1 ₁	Port D ₅ pull-down transistor control bit	0	Pull-down transistor OFF, key-on wakeup invalid	
		1	Pull-down transistor ON, key-on wakeup valid	
PU1 ₀	Port D ₄ pull-down transistor control bit	0	Pull-down transistor OFF, key-on wakeup invalid	
		1	Pull-down transistor ON, key-on wakeup valid	

Note: "W" represents write enabled.

Pull-down control register PU2		at reset : 0000 ₂		at RAM back-up : state retained	W
PU2 ₃	Port D ₃ pull-down transistor control bit	0	Pull-down transistor OFF, key-on wakeup invalid		
		1	Pull-down transistor ON, key-on wakeup valid		
PU2 ₂	Port D ₂ pull-down transistor control bit	0	Pull-down transistor OFF, key-on wakeup invalid		
		1	Pull-down transistor ON, key-on wakeup valid		
PU2 ₁	Port D ₁ pull-down transistor control bit	0	Pull-down transistor OFF, key-on wakeup invalid		
		1	Pull-down transistor ON, key-on wakeup valid		
PU2 ₀	Port D ₀ pull-down transistor control bit	0	Pull-down transistor OFF, key-on wakeup invalid		
		1	Pull-down transistor ON, key-on wakeup valid		

Logic operation selection register LO		at reset : 00 ₂		at RAM back-up : 00 ₂	W
LO ₁	Logic operation selection bits	LO ₁	LO ₀	Logic operation function	
		0	0	Exclusive logic OR operation (XOR)	
0		1	OR operation (OR)		
LO ₀		1	0	AND operation (AND)	
	1	1	Not available		

Note: "W" represents write enabled.

ABSOLUTE MAXIMUM RATINGS

Symbol	Parameter	Conditions	Ratings	Unit
V _{DD}	Supply voltage		-0.3 to 5	V
V _I	Input voltage		-0.3 to V _{DD} +0.3	V
V _O	Output voltage		-0.3 to V _{DD} +0.3	V
P _d	Power dissipation	T _a = 25 °C	300	mW
T _{opr}	Operating temperature range		-40 to 85	°C
T _{stg}	Storage temperature range		-65 to 125	°C

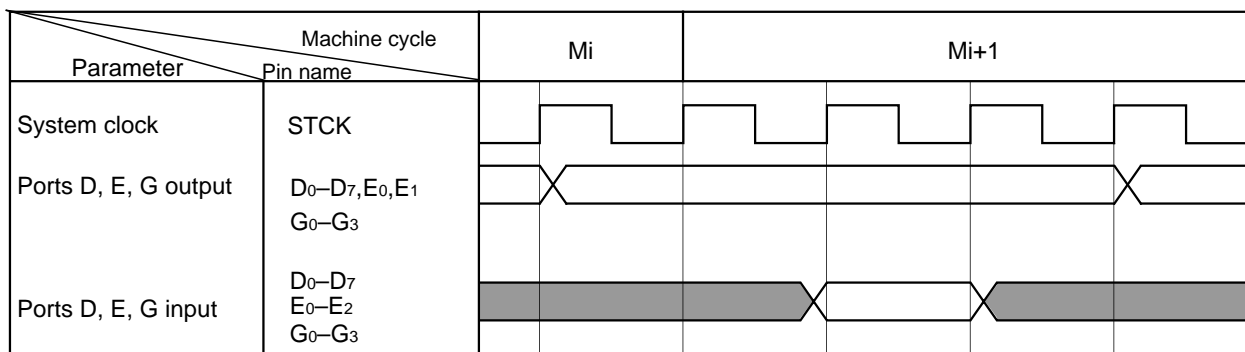
RECOMMENDED OPERATING CONDITIONS(T_a = -40 to 85 °C, V_{DD} = 1.8 V to 3.6 V, unless otherwise noted)

Symbol	Parameter	Conditions	Limits			Unit	
			Min.	Typ.	Max.		
V _{DD}	Supply voltage		1.8		3.6	V	
V _{RAM}	RAM back-up voltage (at RAM back-up mode)		1.1		3.6	V	
V _{SS}	Supply voltage			0		V	
V _{IH}	"H" level input voltage Ports D, E, G	V _{DD} = 3.0 V	0.7V _{DD}		V _{DD}	V	
V _{IH}	"H" level input voltage X _{IN}	V _{DD} = 3.0 V	0.8V _{DD}		V _{DD}	V	
V _{IL}	"L" level input voltage Ports D, E, G	V _{DD} = 3.0 V	0		0.2V _{DD}	V	
V _{IL}	"L" level input voltage X _{IN}	V _{DD} = 3.0 V	0		0.2V _{DD}	V	
I _{OH(peak)}	"H" level peak output current Ports D, E1, G	V _{DD} = 3.0 V			-4	mA	
I _{OH(peak)}	"H" level peak output current Port E ₀	V _{DD} = 3.0 V			-24	mA	
I _{OH(peak)}	"H" level peak output current CARR	V _{DD} = 3.0 V			-20	mA	
I _{OL(peak)}	"L" level peak output current CARR	V _{DD} = 3.0 V			4	mA	
I _{OH(avg)}	"H" level average output current Ports D, E1, G	V _{DD} = 3.0 V			-2	mA	
I _{OH(avg)}	"H" level average output current Port E ₀	V _{DD} = 3.0 V			-12	mA	
I _{OH(avg)}	"H" level average output current CARR	V _{DD} = 3.0 V			-10	mA	
I _{OL(avg)}	"L" level average output current CARR	V _{DD} = 3.0 V			2	mA	
f(X _{IN})	clock frequency	when STCK = f(X _{IN})/8, f(X _{IN})/4, f(X _{IN})/2 selected	Ceramic resonance			4	MHz
		when STCK = f(X _{IN}) selected	Ceramic resonance			2	MHz
V _{DET}	Detection voltage (before CLVD instruction execution)	Reset occurrence		1.1	1.9	V	
			T _a = 25 °C	1.4	1.5		1.56
	Reset release		1.2		2.2		
		T _a = 25 °C	1.6	1.7	1.76		
Detection voltage (after CLVD instruction execution)	Reset occurrence/ Reset release		1.2		2.2	V	
		T _a = 25 °C	1.6	1.7	1.76		
T _{DET}	Voltage drop detection circuit low voltage determination time	When supply voltage passes the detected voltage at ±50V/s.		0.2	1.2	ms	
T _{PON}	Power-on reset circuit valid power source rising time	V _{DD} = 0 → 2.2 V			1	ms	
		T _a = -20 °C to 85 °C					
		V _{DD} = 0 → 2.2 V			100	μs	
		T _a = -40 °C to 85 °C					

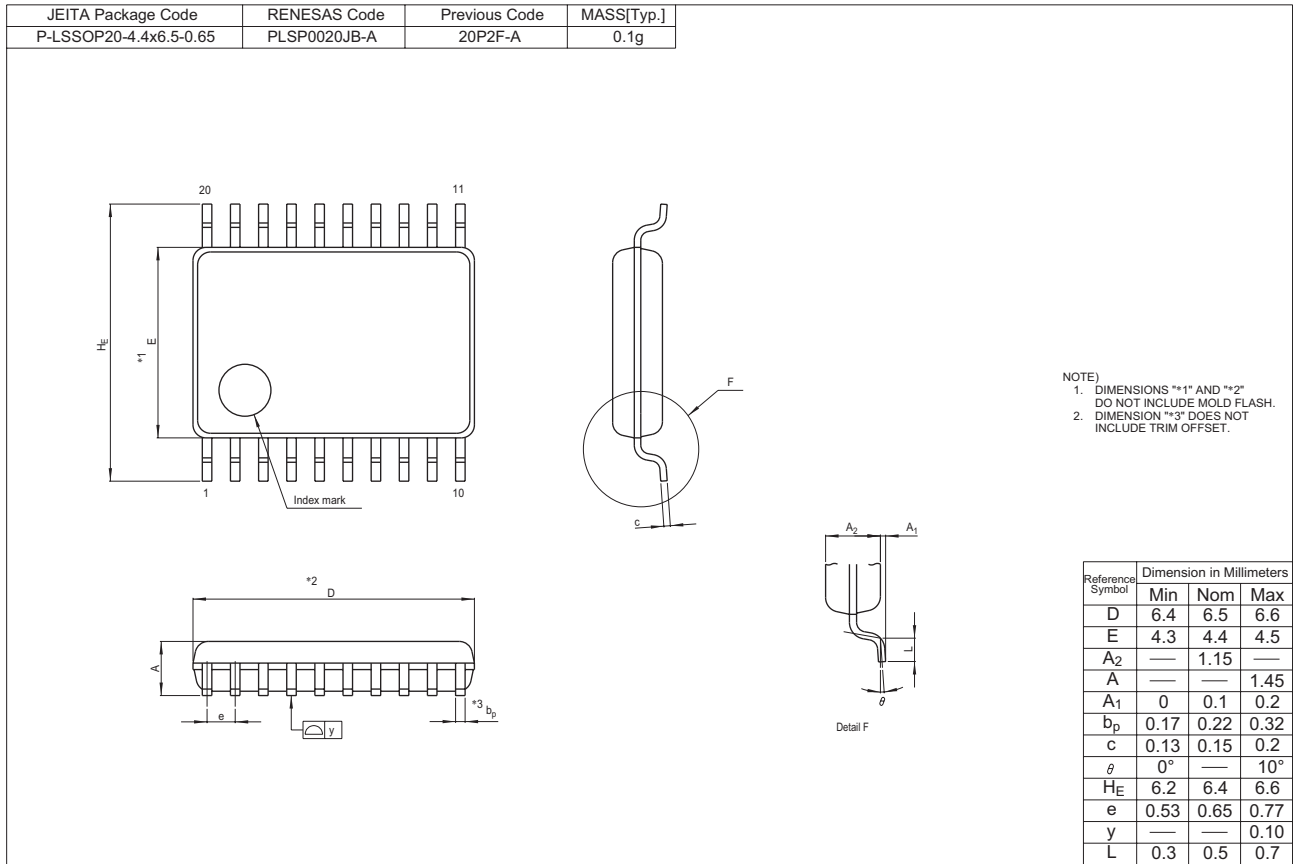
Note: The average output current ratings are the average current value during 100 ms.

ELECTRICAL CHARACTERISTICS(Ta = -40 °C to 85 °C, V_{DD} = 3 V, unless otherwise noted)

Symbol	Parameter	Test conditions	Limits			Unit
			Min.	Typ.	Max.	
V _{OL}	"L" level output voltage Port CARR	I _{OL} = 2 mA			0.9	V
V _{OL}	"L" level output voltage X _{OUT}	I _{OL} = 0.2 mA			0.9	V
V _{OH}	"H" level output voltage Ports D, E ₁ , G	I _{OH} = -2 mA	2.1			V
V _{OH}	"H" level output voltage Port E ₀	I _{OH} = -12 mA	1.5			V
V _{OH}	"H" level output voltage CARR	I _{OH} = -10 mA	1.0			V
V _{OH}	"H" level output voltage X _{OUT}	I _{OH} = -0.2 mA	2.1			V
I _{IL}	"L" level input current Ports D, E, G	V _I = V _{SS}			-1	μA
I _{IH}	"H" level input current Ports E ₀ , E ₁	V _I = V _{DD} Pull-down transistor in off-state			1	μA
I _{OZ}	Output current at off-state Ports D, E ₀ , E ₁ , G	V _O = V _{SS}			-1	μA
I _{DD}	Supply current (when operating)	f(X _{IN}) = 4.0 MHz		400	800	μA
		f(X _{IN}) = 2.0 MHz		350	700	μA
		f(X _{IN}) = 1.0 MHz		300	600	μA
		f(X _{IN}) = 500 kHz		250	500	μA
	Supply current (at RAM back-up)	Ta = 25 °C		1	3	μA
R _{PH}	Pull-down resistor value Ports D, G, E	V _I = 3V	75	150	300	kΩ
R _{OSC}	Feedback resistor value between X _{IN} -X _{OUT}		700		3200	kΩ

BASIC TIMING DIAGRAM

PACKAGE OUTLINE



REVISION HISTORY	4286 Group Datasheet
------------------	----------------------

Rev.	Date	Description	
		Page	Summary
1.00	Aug. 06, 2008	-	First edition issued.

All trademarks and registered trademarks are the property of their respective owners.

Notes:

1. This document is provided for reference purposes only so that Renesas customers may select the appropriate Renesas products for their use. Renesas neither makes warranties or representations with respect to the accuracy or completeness of the information contained in this document nor grants any license to any intellectual property rights or any other rights of Renesas or any third party with respect to the information in this document.
2. Renesas shall have no liability for damages or infringement of any intellectual property or other rights arising out of the use of any information in this document, including, but not limited to, product data, diagrams, charts, programs, algorithms, and application circuit examples.
3. You should not use the products or the technology described in this document for the purpose of military applications such as the development of weapons of mass destruction or for the purpose of any other military use. When exporting the products or technology described herein, you should follow the applicable export control laws and regulations, and procedures required by such laws and regulations.
4. All information included in this document such as product data, diagrams, charts, programs, algorithms, and application circuit examples, is current as of the date this document is issued. Such information, however, is subject to change without any prior notice. Before purchasing or using any Renesas products listed in this document, please confirm the latest product information with a Renesas sales office. Also, please pay regular and careful attention to additional and different information to be disclosed by Renesas such as that disclosed through our website. (<http://www.renesas.com>)
5. Renesas has used reasonable care in compiling the information included in this document, but Renesas assumes no liability whatsoever for any damages incurred as a result of errors or omissions in the information included in this document.
6. When using or otherwise relying on the information in this document, you should evaluate the information in light of the total system before deciding about the applicability of such information to the intended application. Renesas makes no representations, warranties or guarantees regarding the suitability of its products for any particular application and specifically disclaims any liability arising out of the application and use of the information in this document or Renesas products.
7. With the exception of products specified by Renesas as suitable for automobile applications, Renesas products are not designed, manufactured or tested for applications or otherwise in systems the failure or malfunction of which may cause a direct threat to human life or create a risk of human injury or which require especially high quality and reliability such as safety systems, or equipment or systems for transportation and traffic, healthcare, combustion control, aerospace and aeronautics, nuclear power, or undersea communication transmission. If you are considering the use of our products for such purposes, please contact a Renesas sales office beforehand. Renesas shall have no liability for damages arising out of the uses set forth above.
8. Notwithstanding the preceding paragraph, you should not use Renesas products for the purposes listed below:
 - (1) artificial life support devices or systems
 - (2) surgical implantations
 - (3) healthcare intervention (e.g., excision, administration of medication, etc.)
 - (4) any other purposes that pose a direct threat to human lifeRenesas shall have no liability for damages arising out of the uses set forth in the above and purchasers who elect to use Renesas products in any of the foregoing applications shall indemnify and hold harmless Renesas Technology Corp., its affiliated companies and their officers, directors, and employees against any and all damages arising out of such applications.
9. You should use the products described herein within the range specified by Renesas, especially with respect to the maximum rating, operating supply voltage range, movement power voltage range, heat radiation characteristics, installation and other product characteristics. Renesas shall have no liability for malfunctions or damages arising out of the use of Renesas products beyond such specified ranges.
10. Although Renesas endeavors to improve the quality and reliability of its products, IC products have specific characteristics such as the occurrence of failure at a certain rate and malfunctions under certain use conditions. Please be sure to implement safety measures to guard against the possibility of physical injury, and injury or damage caused by fire in the event of the failure of a Renesas product, such as safety design for hardware and software including but not limited to redundancy, fire control and malfunction prevention, appropriate treatment for aging degradation or any other applicable measures. Among others, since the evaluation of microcomputer software alone is very difficult, please evaluate the safety of the final products or system manufactured by you.
11. In case Renesas products listed in this document are detached from the products to which the Renesas products are attached or affixed, the risk of accident such as swallowing by infants and small children is very high. You should implement safety measures so that Renesas products may not be easily detached from your products. Renesas shall have no liability for damages arising out of such detachment.
12. This document may not be reproduced or duplicated, in any form, in whole or in part, without prior written approval from Renesas.
13. Please contact a Renesas sales office if you have any questions regarding the information contained in this document, Renesas semiconductor products, or if you have any other inquiries.



RENESAS SALES OFFICES

<http://www.renesas.com>

Refer to "<http://www.renesas.com/en/network>" for the latest and detailed information.

Renesas Technology America, Inc.
450 Holger Way, San Jose, CA 95134-1368, U.S.A
Tel: <1> (408) 382-7500, Fax: <1> (408) 382-7501

Renesas Technology Europe Limited
Dukes Meadow, Millboard Road, Bourne End, Buckinghamshire, SL8 5FH, U.K.
Tel: <44> (1628) 585-100, Fax: <44> (1628) 585-900

Renesas Technology (Shanghai) Co., Ltd.
Unit 204, 205, AZIACenter, No.1233 Lujiazui Ring Rd, Pudong District, Shanghai, China 200120
Tel: <86> (21) 5877-1818, Fax: <86> (21) 6887-7858/7898

Renesas Technology Hong Kong Ltd.
7th Floor, North Tower, World Finance Centre, Harbour City, Canton Road, Tsimshatsui, Kowloon, Hong Kong
Tel: <852> 2265-6688, Fax: <852> 2377-3473

Renesas Technology Taiwan Co., Ltd.
10th Floor, No.99, Fushing North Road, Taipei, Taiwan
Tel: <886> (2) 2715-2888, Fax: <886> (2) 3518-3399

Renesas Technology Singapore Pte. Ltd.
1 Harbour Front Avenue, #06-10, Keppel Bay Tower, Singapore 098632
Tel: <65> 6213-0200, Fax: <65> 6278-8001

Renesas Technology Korea Co., Ltd.
Kukje Center Bldg. 18th Fl., 191, 2-ka, Hangang-ro, Yongsan-ku, Seoul 140-702, Korea
Tel: <82> (2) 796-3115, Fax: <82> (2) 796-2145

Renesas Technology Malaysia Sdn. Bhd
Unit 906, Block B, Menara Amcorp, Amcorp Trade Centre, No.18, Jln Persiaran Barat, 46050 Petaling Jaya, Selangor Darul Ehsan, Malaysia
Tel: <603> 7955-9390, Fax: <603> 7955-9510