

- NOTES:
1. MATERIAL - PP8.
 2. ALL DIMENSIONS ARE IN MILLIMETERS.
 3. TOLERANCES - X.X=±0.25
-X.XX=±0.13
UNLESS OTHERWISE SPECIFIED.
 4. ESD - SURFACE RESISTIVITY
- 10⁵ TO 10¹¹ OHMS/SQ.
 5. FOR PACKAGE - 1.0 MM THICKNESS.
 6. PART NO. : ND 1414 1.0 0615 8 REV.A
(PLEASE INDICATE ON PURCHASE ORDER).

REV.NO.	ECN #	DESCRIPTION	DATE
13	P-00890	CHANGE SURFACE RESISTIVITY	1 FEB 99
12	P-00773	ADD RUNNER GATE	28 SEP 98
11	P-00611	CHANGE POSITIONAL TOL	21 AUG 97
10	P-00548	DELETED "ASSEMBLED IN SINGAPORE"	2 SEP 95
9	P-00457	CHANGE "LOW TEMP." TO "75°C MAX."	12 JAN 95
8	P-00344	CHANGE LOGO & ADD PP6 DRAWING	6 JUL 94

THIS DOCUMENT CONTAINS INFORMATION PROPRIETARY TO PEAK PLASTIC & METAL PRODUCTS INTERNATIONAL LIMITED. REPRODUCTION, DISCLOSURE OR USE OF THIS DOCUMENT IS EXPRESSLY PROHIBITED EXCEPT IF OTHERWISE AGREED UPON IN WRITING.

DRAWN BY : Wang	PAGE 1 OF 2
CHECKED BY :	DATE : 1 FEB 99
APPROVED BY :	DATE : 1 FEB 99
APPROVED BY :	DATE : 1 FEB 99
DO NOT SCALE DRAWING	CODE : CSA00602

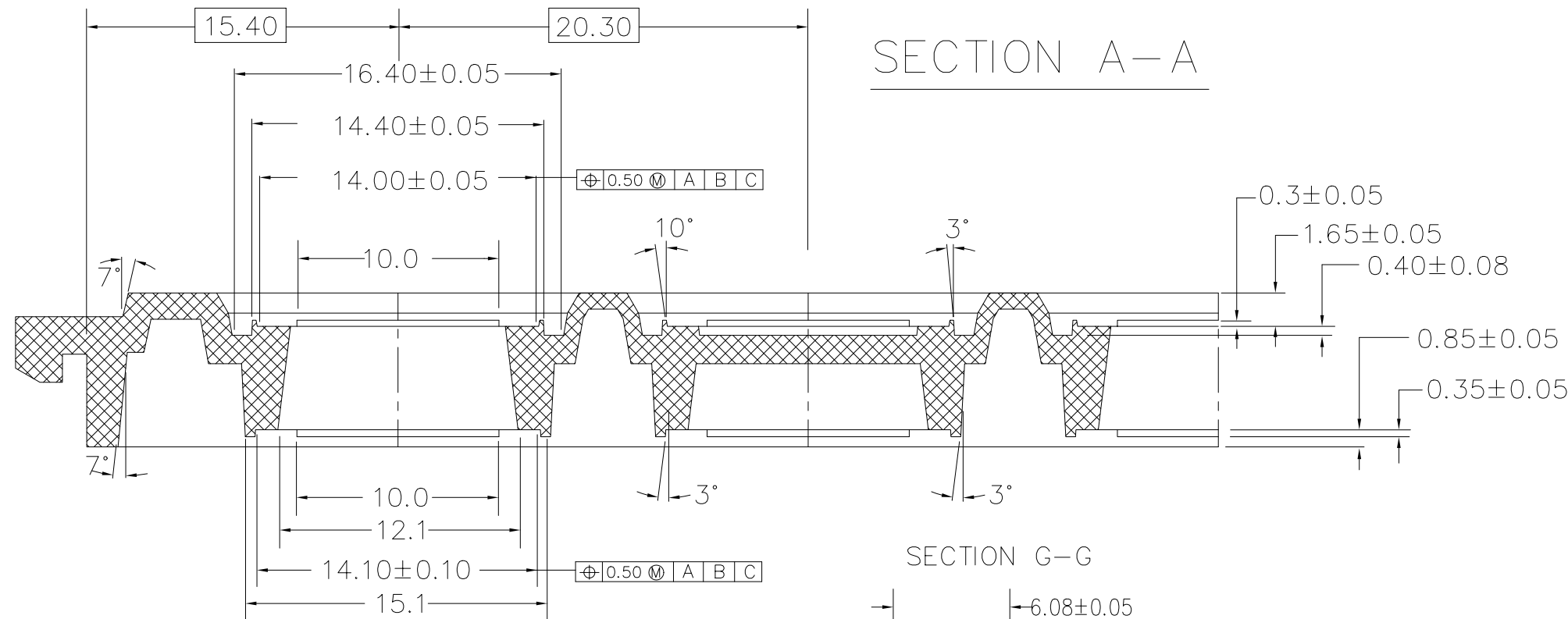
PEAK PEAK PLASTIC & METAL PRODUCTS INT'L LTD.

CUSTOMER : **PEAK**

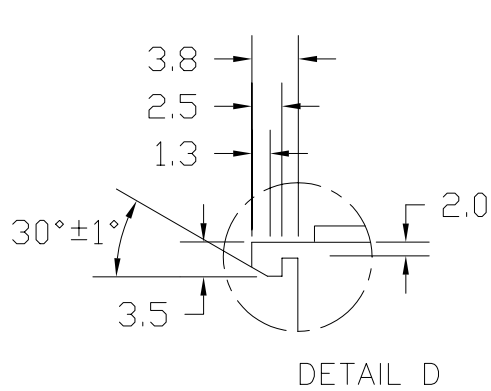
TITLE : ND 1414 1.0 0615 8 REV.A

DWG NO.: ND 1414 1.0 0615 8 REV.A REV. 13

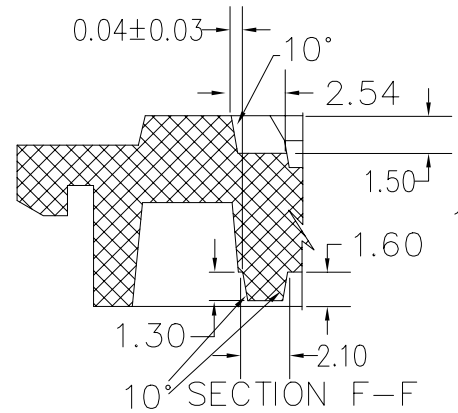
PEAK



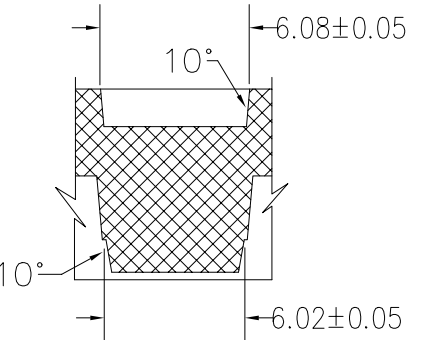
SECTION A-A



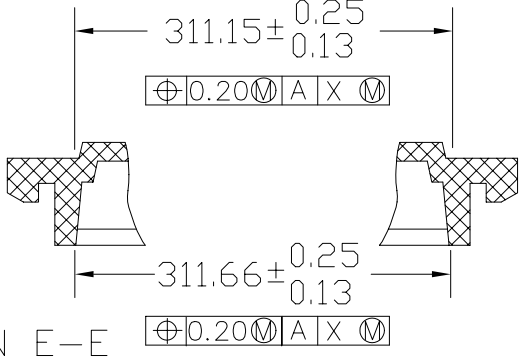
DETAIL D



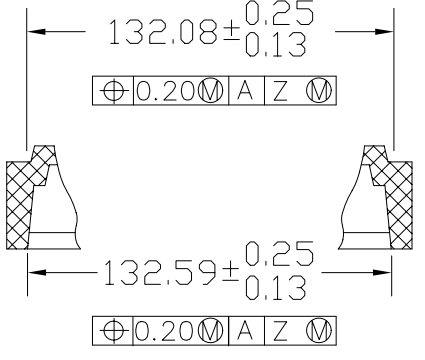
SECTION F-F



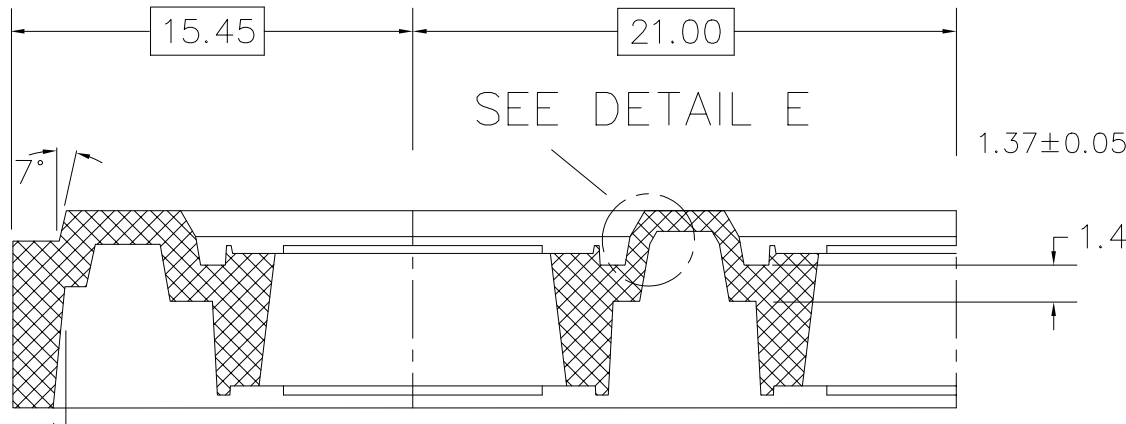
SECTION G-G



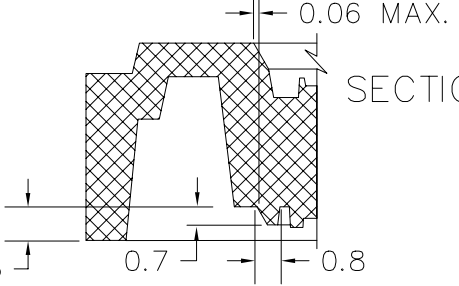
SECTION E-E



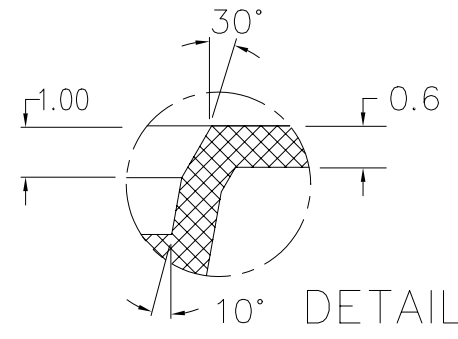
SECTION J-J



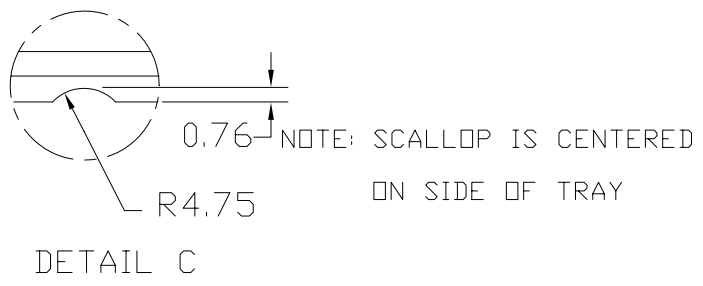
SECTION B-B



SECTION H-H



DETAIL E



DETAIL C

REV.NO.	ECN #	DESCRIPTION	DATE
13	P-00890	CHANGE SURFACE RESISTIVITY	1 FEB 99
12	P-00773	ADD RUNNER GATE	28 SEP 98
11	P-00611	CHANGE POSITIONAL TOL	21 AUG 97
10	P-00548	DELETED "ASSEMBLED IN SINGAPORE"	2 SEP 95
9	P-00457	CHANGE "LOW TEMP." TO "75°C MAX."	12 JAN 95
8	P-00344	CHANGE LOGO & ADD PP6 DRAWING	6 JUL 94

THIS DOCUMENT CONTAINS INFORMATION PROPRIETARY TO PEAK PLASTIC & METAL PRODUCTS INTERNATIONAL LIMITED. REPRODUCTION, DISCLOSURE OR USE OF THIS DOCUMENT IS EXPRESSLY PROHIBITED EXCEPT IF OTHERWISE AGREED UPON IN WRITING.

DRAWN BY : Wang	PAGE 2 OF 2
CHECKED BY :	DATE : 1 FEB 99
APPROVED BY :	DATE : 1 FEB 99
APPROVED BY :	DATE : 1 FEB 99
DO NOT SCALE DRAWING	CODE : CSA00602

PEAK PEAK PLASTIC & METAL PRODUCTS INT'L LTD.

CUSTOMER :	PEAK
TITLE :	ND 1414 1.0 0615 8 REV.A
DWG NO.:	ND 1414 1.0 0615 8 REV.A
REV. 13	