

# SC SERIES

## Common mode chokes with Ferrite cores - SMD format

### Features

- Nominal current in each winding (I): from 0,4A to 2,5A.
- Nominal inductance (L): from 5 $\mu$ H to 4,7mH.
- Rated voltage: 42Vac.
- Storage temperature: from -40°C to 120°C.
- Plastic case: UL 94V-0.
- Packaging: tape & reel - 600 u. x reel
- Suitable for CAN Bus.

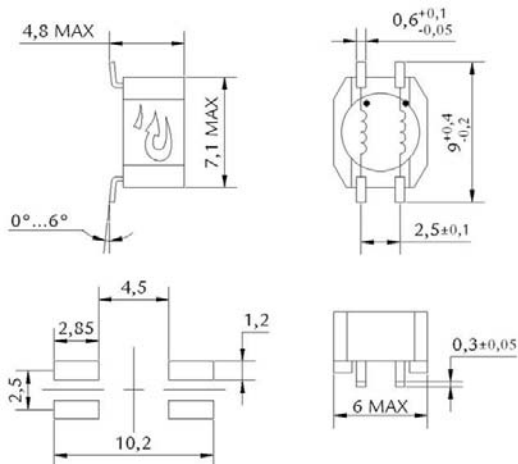


### Electrical specifications

Code	I <sub>AC</sub> (A)	L ( $\mu$ H) at 10kHz +50% / -30%	L <sub>Leak</sub> (nH) at 100kHz typical	R <sub>dc</sub> (m $\Omega$ ) typical	Visol (Vac)
SC-050-X	1,2	2x5	50	70	180
SC-060-X	2,5	2x6	50	20	180
SC-060-H	2,5	2x6	400	20	180
SC-110-X	0,8	2x11	50	120	180
SC-250-H	0,8	2x25	1500	130	180
SC-510-H	0,8	2x51	2000	160	180
SC-471-H	0,7	2x470	2500	200	550
SC-102-X	0,7	2x1000	250	200	550
SC-222-X	0,5	2x2200	250	400	550
SC-472-X	0,4	2x4700	300	550	550

Notes  
 X: Bifilar windings  
 H: Symmetrical windings  
 Dot on the top of the box indicates pin 1

Dimensions (in mm)

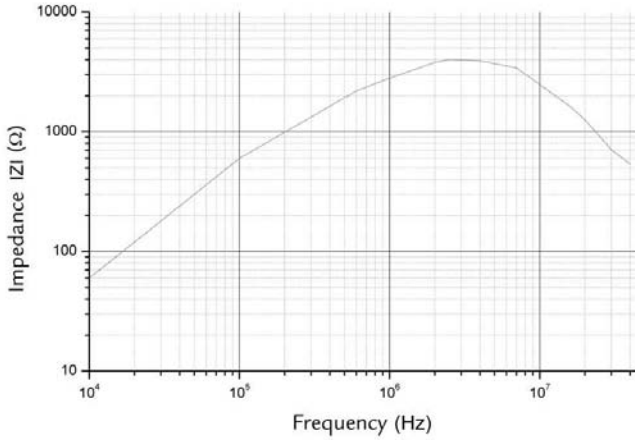


SC SERIES

# SC SERIES

## Common mode chokes with Ferrite cores - SMD format

Typical curves: Impedance vs Frequency



Note:  
Impedance measurements have been obtained with both windings in parallel and at ambient temperature.