

SKP-MS401 PIR

SEIKO Precision



Small PIR Module with Lens

SEIKO Precision's MS-400 Series are small PIR Sensor modules, that combine a pyroelectric infrared detector, sensor circuitry with its own lens.



Features

Small lens containing PIR sensor, OP-amp, and Comparator.
 14.3mm in diameter, 15.9mm high.
 Can be installed on printed circuit boards directly with 3 reeds.
 Selectable in white and grey colour lens.

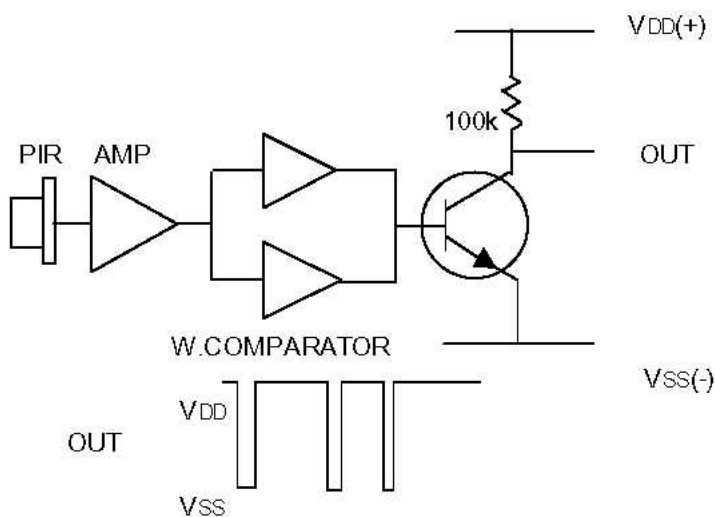
Applications

Automatic lighting switches.
 Safety systems.
 Intruder alarms.

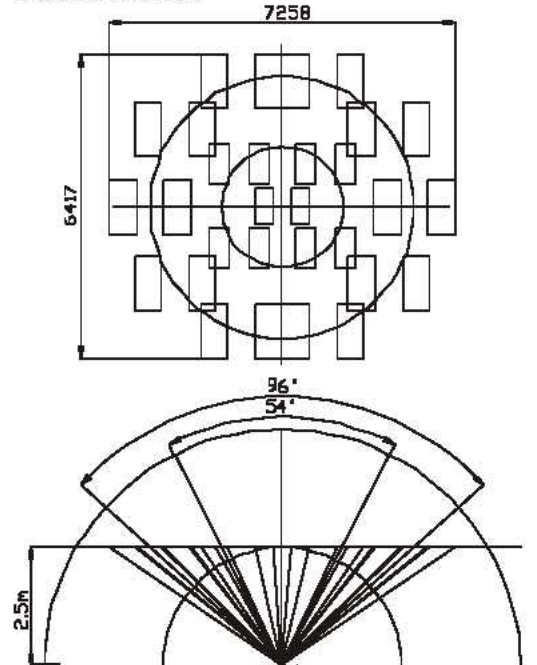
Characteristics

	MS-401
Power Supply Voltage	4.5V 5.5V
Power Consumption	1.2mA TYP
Operating temperature	10 50
Output	Comparator out Active Low
Output current I sink	Min 6mA, typ16mA

Circuit Diagram



Detection Area



External Dimensions (mm)

