

SSA 340 5mm SHROUDED LED CIRCUIT BOARD INDICATOR

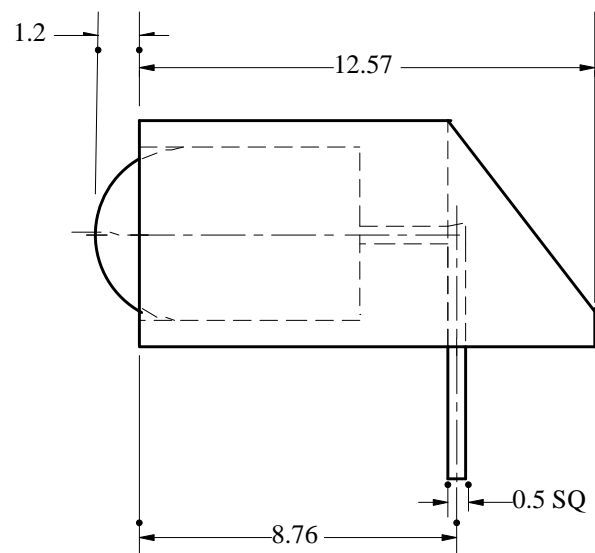
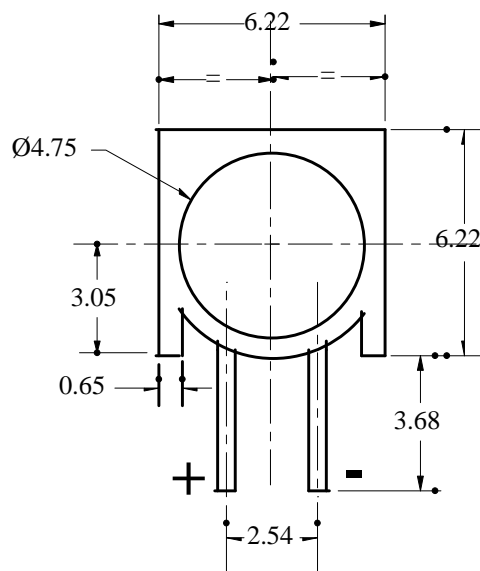
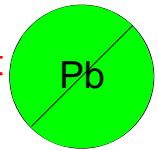
The SSA340 is a single 5mm LED assembly for mounting at 90 deg to a PCB. The housing is moulded in Black Nylon 6 V0 rated.

- Water clear LEDs used in standard part.
- Range of colours and currents available,
- Direct equivalent to Dialight 550-xx10.
- Colour and polarity options.



MECHANICAL DATA

This component is RoHS compliant



BEDFORD OPTO TECHNOLOGY LTD
1,BIGGAR BUSINESS PARK, BIGGAR,LANARKSHIRE, ML12 6FX
Tel: +44 (0) 1899 221221 Fax: +44 (0) 1899 221009
Website: bot.co.uk E-mail: bill@bot.co.uk

Absolute Maximum Ratings (TA = 25°C)

SSA340

PARAMETER	Green	Yellow	Red
Continuous Forward Current	30mA	50mA	40mA
Peak Forward Current (1/10 @ 1Khz)	120mA	200mA	200mA
Power Dissipation	100mW	100mW	80mW
Reverse Current [Vr=5V]	10µA	100µA	10µA
Operating Temperature range	-40°C to +85°C		
Storage Temperature	-40°C to +100°C		
Lead Soldering Temperature (2.0mm from body)	260°C for 5secs		

Electro-Optical Data (TA = 25°C)

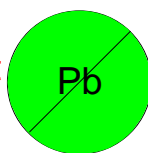
PARAMETER		Green	Yellow	Red
Forward Voltage [@20mA]	Max	2.8V	2.8V	2.4V
Luminous Intensity [@20mA]	Min Typ	110mcd 180mcd	480mcd 800mcd	180mcd
Viewing Angle 2Ø ^{1/2}		30deg	20deg	30deg
Peak Wavelength		565nm	587nm	660nm

ORDERING INFORMATION

SSA340X where X = R = Red
G = Green
Y = Yellow

Alternative LED types available.

This
component
is RoHS
compliant



BEDFORD OPTO TECHNOLOGY LTD
1,BIGGAR BUSINESS PARK, BIGGAR,LANARKSHIRE,ML12 6FX
Tel: +44 (0) 1899 221221 Fax: +44 (0) 1899 221009
Website: bot.co.uk E-mail: bill@bot.co.uk