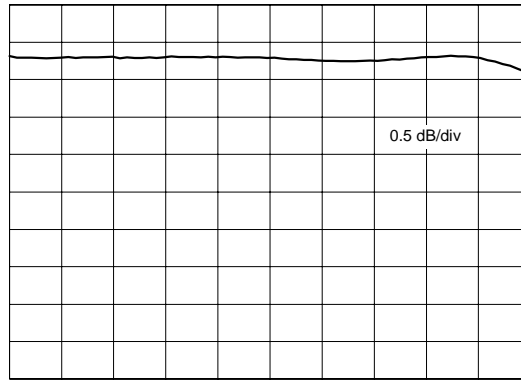


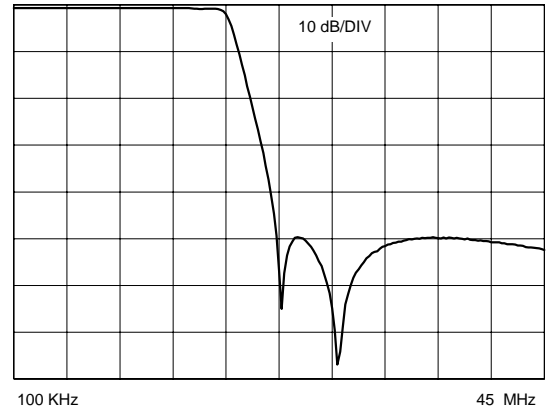
Lowpass Filter

KR 2297-7

Passband Amplitude



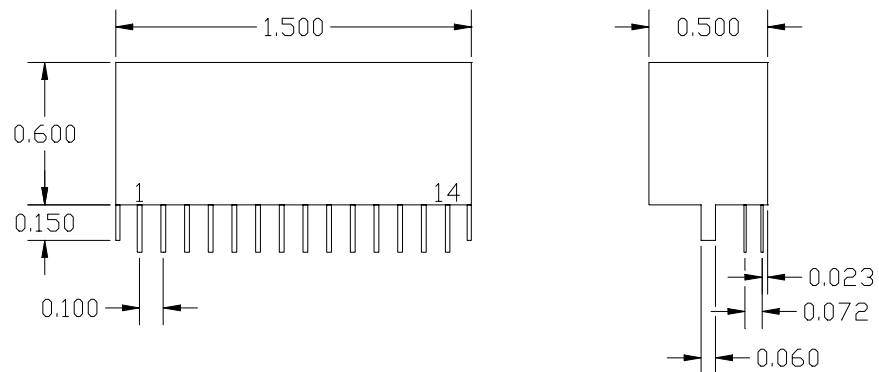
Overall Amplitude



Specifications

KR Part Number	2297-7
Filter Type	Lowpass
Insertion Loss	< 1 dB
End of Passband (.5 dB)	16 MHz
Passband Ripple	< .5 dB p-p
Start of Stopband	22.4 MHz
Stopband Attenuation	> 45 dB
Source and Load Impedance	50 Ω

Outline Drawing



Notes:

1. Tolerance ± 0.010 "
2. Pins are 0.01 " x 0.02 " (14 plcs)
3. Case Tabs are 0.018 " x 0.060 " (2 plcs)
4. Pin 1 is INPUT
5. Pin 14 is Output
6. Pins 2 thru 13 are Ground
7. Note Pin 1 and 14 are Offset
8. Dimensions in inches

KR Electronics
www.krfilters.com
 91 Avenel Street
 Avenel, NJ 07001
 732-636-1900