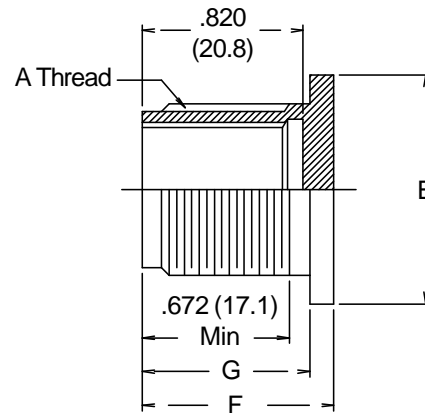
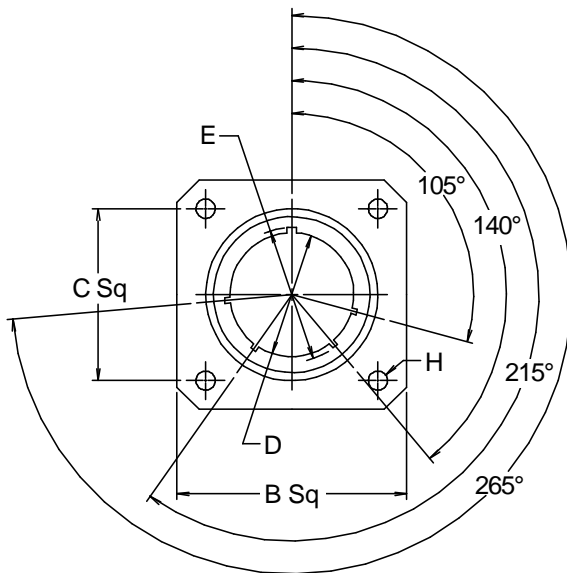
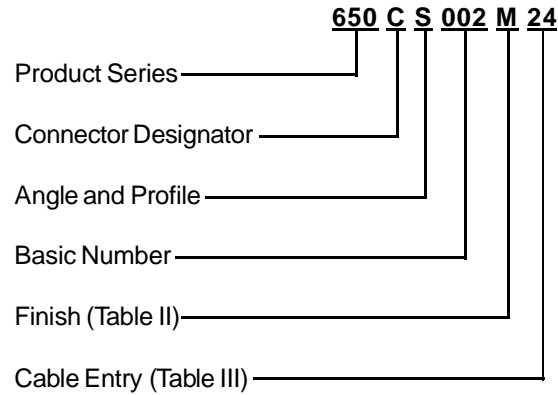


MIL-C-22992



650CS002
Dummy Stowage Receptacle
MIL-C-22992



65

TABLE III: DIMENSIONS

Shell Size	J Thread Class 2A	B ± .020 (0.5)	C SQ	D + .005 (0.1) - .010 (0.3)	E + .010 (0.3) - .006 (0.2)	F + .021 (0.5) - .010 (0.3)	G + .010 (0.3) - .000 (0)	H ± .005 (0.1)
12	.8750-0.1P-0.2L-DS	1.188 (30.2)	.906 (23.0)	.567 (14.4)	.647 (16.4)	.938 (23.8)	.797 (20.2)	.150 (3.8)
14	1.0000-0.1P-0.2L-DS	1.281 (32.3)	.969 (24.6)	.692 (17.6)	.772 (19.6)	.938 (23.8)	.797 (20.2)	.150 (3.8)
16	1.1250-0.1P-0.2L-DS	1.375 (34.9)	1.062 (27.0)	.817 (20.8)	.897 (22.8)	.938 (23.8)	.797 (20.2)	.150 (3.8)
18	1.2500-0.1P-0.2L-DS	1.500 (38.1)	1.156 (29.4)	.942 (23.9)	1.022 (26.0)	.953 (24.2)	.797 (20.2)	.177 (4.5)
20	1.3750-0.1P-0.2L-DS	1.625 (41.3)	1.250 (31.8)	1.068 (27.1)	1.148 (29.2)	.953 (24.2)	.797 (20.2)	.177 (4.5)
22	1.5000-0.1P-0.2L-DS	1.750 (44.5)	1.375 (34.9)	1.192 (30.3)	1.272 (32.3)	.953 (24.2)	.797 (20.2)	.177 (4.5)
24	1.7500-0.1P-0.2L-DS	2.000 (50.8)	1.562 (39.7)	1.317 (33.5)	1.473 (37.4)	1.047 (26.6)	.859 (21.8)	.177 (4.5)
28	2.0000-0.1P-0.2L-DS	2.250 (57.2)	1.750 (44.5)	1.536 (39.0)	1.692 (43.0)	1.047 (26.6)	.859 (21.8)	.177 (4.5)
32	2.2500-0.1P-0.2L-DS	2.500 (63.5)	1.938 (49.2)	1.786 (45.4)	1.942 (49.3)	1.110 (28.2)	.922 (23.4)	.209 (5.3)
36	2.5000-0.1P-0.2L-DS	2.750 (69.9)	2.188 (55.6)	2.005 (50.9)	2.161 (54.9)	1.110 (28.2)	.922 (23.4)	.209 (5.3)
40	2.7500-0.1P-0.2L-DS	3.000 (76.2)	2.375 (60.3)	2.255 (57.3)	2.411 (61.2)	1.110 (28.2)	.922 (23.4)	.209 (5.3)

1. For complete dimensions see Mil-C-22992.
2. Metric dimensions (mm) are indicated in parentheses.