



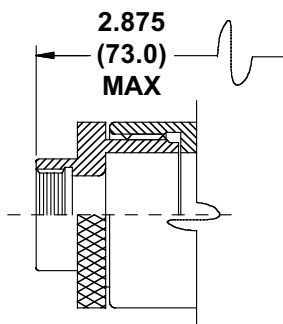
**710-004**  
Non-Environmental User-Installable Straight, 45° & 90°  
Connector Fittings for Series 72 Annular Convuluted Tubing

**TYPE  
A**

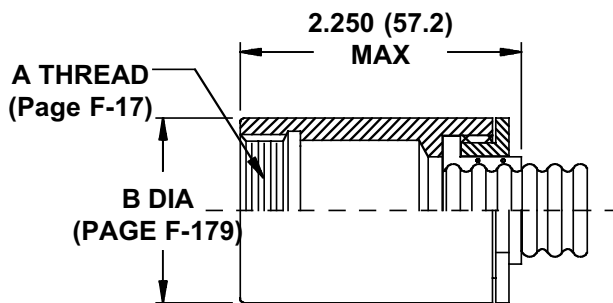
710 C A 004 M 16 16

Product Series ————  
Connector Designator (C, D, E, J, or K) (Pages F-4 to F-6)  
Angle: ————  
A = 90°  
B = 45°  
S = Straight

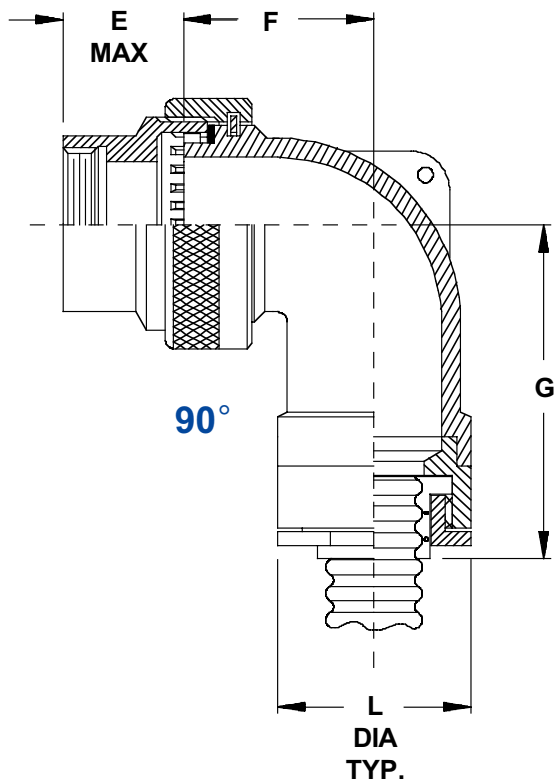
Dash No. (Table II)  
Shell Size (Table I)  
Finish (Table III)  
Basic No.



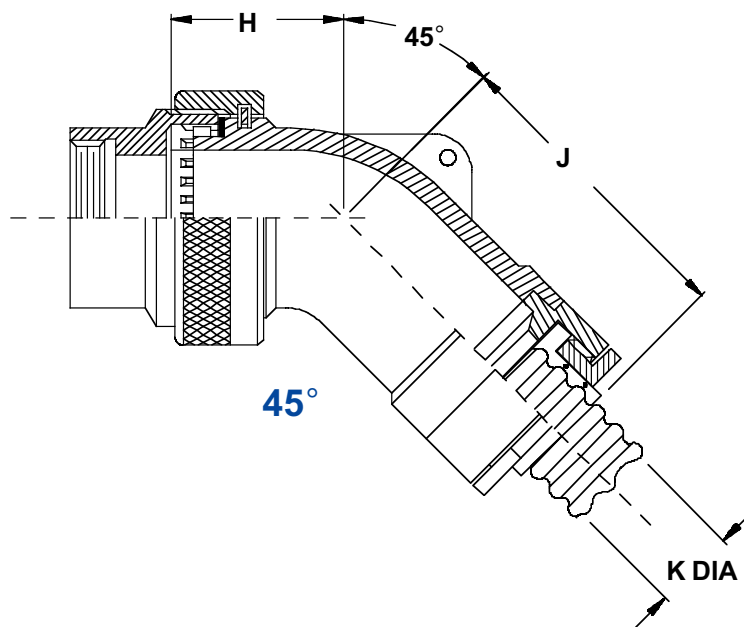
**STYLE 2**



**STRAIGHT**



**90°**



**45°**

Metric dimensions (mm) are indicated in parentheses.  
Tubing shown for reference only.

710-004

Non-Environmental User-Installable Straight, 45° & 90°  
Connector Fittings for Series 72 Annular Convuluted Tubing



Series 72  
Convuluted  
Tubing

TABLE I			
SHELL SIZE	E DIMENSION MAX		
	C, D, E, J or K	C CONN	D, E, J, CONN
08	—	1.000 (25.4)	1.000 (25.4)
10/11	—	1.000 (25.4)	1.000 (25.4)
12/13	1.735 (44.1)	1.000 (25.4)	1.000 (25.4)
14/15	1.915 (48.6)	1.000 (25.4)	1.000 (25.4)
16/17	1.915 (48.6)	1.000 (25.4)	1.166 (29.6)
18	1.915 (48.6)	1.000 (25.4)	1.166 (29.6)
20	1.915 (48.6)	1.000 (25.4)	1.166 (29.6)
22	1.915 (48.6)	1.000 (25.4)	1.166 (29.6)
24	1.915 (48.6)	1.000 (25.4)	1.166 (29.6)
28	1.915 (48.6)	—	1.166 (29.6)
32	1.915 (48.6)	—	1.166 (29.6)
36	1.915 (48.6)	—	1.166 (29.6)
40	1.915 (48.6)	—	1.437 (36.5)

TABLE II						
DASH NO.	F MAX	G MAX	H MAX	J MAX	K MAX	L DIA
09	1.196 (30.4)	1.780 (45.2)	1.126 (28.6)	1.795 (45.6)	.281 (7.1)	.875 (22.2)
12	1.196 (30.4)	1.780 (45.2)	1.126 (28.6)	1.795 (45.6)	.370 (9.4)	1.000 (25.4)
16	1.415 (35.9)	1.895 (48.1)	1.273 (32.3)	1.905 (48.4)	.500 (12.7)	1.125 (28.6)
20	1.587 (40.3)	2.065 (52.5)	1.533 (38.9)	2.095 (53.2)	.625 (15.9)	1.250 (31.8)
24	1.587 (40.3)	2.065 (52.5)	1.533 (38.9)	2.095 (53.2)	.750 (19.1)	1.438 (36.5)
28	1.913 (48.6)	2.175 (55.2)	1.718 (43.6)	2.245 (57.0)	.875 (22.2)	1.625 (41.3)
32	1.913 (48.6)	2.175 (55.2)	1.718 (43.6)	2.245 (57.0)	1.000 (25.4)	1.750 (44.5)
40	1.997 (50.7)	2.345 (59.6)	1.915 (48.6)	2.295 (58.3)	1.250 (31.8)	2.000 (50.8)

TABLE III	
SYMBOL	FINISH
B	Olive Drab over Cadmium Plate
J	Gold Iridite over Cadmium Plate over Nickel
M	Electroless Nickel
N	Olive Drab over Cadmium Plate over Nickel
NC	Zinc-Cobalt, Olive Drab
NF	Olive Drab over Cadmium Plate over Electroless Nickel (500 Hour Salt Spray)
T	Bright Dip Cadmium Plate over Nickel

Metric dimensions (mm) are indicated in parentheses.

When tubing I.D. max exceeds inside diameter of connector shell, style 2 will be supplied. Refer to pages F-15 and F-16.