

# AZ769

## 25 AMP MINIATURE POWER RELAY

### FEATURES

- Low cost
- 25 Amp switching
- 80 Amp inrush current
- Quick connect and PCB terminals
- Flux tight construction
- UL, CUR file E44211
- VDE Pending



### CONTACTS

<b>Arrangement</b>	SPST (1 Form A)
<b>Ratings</b>	Resistive load: Max. switched power: 600 W or 6925 VA Max. switched current: 25 A Max. switched voltage: 150* VDC or 400 VAC  *Note: If switching voltage is greater than 30VDC, special precautions must be taken. Please contact the factory.
<b>Rated Load UL, CUR</b>	25A at 277 VAC resistive (100k cycles) [1] [2] 1 HP at 120 VAC (100k cycles) [1] [2] 2 HP at 240 VAC (100k cycles) [2] 2 HP at 240 VAC (30k cycles) [1]
<b>TÜV</b>	25 A 250 VAC resistive [1] [2]
<b>Material</b>	silver cadmium oxide [1], silver tin oxide [2]
<b>Resistance</b>	< 50 milliohms initially (24 V, 1 A voltage drop method)

### COIL

<b>Power At Pickup Voltage (typical)</b>	441 mW
<b>Max. Continuous Dissipation</b>	2.25 W at 20°C (68°F) ambient
<b>Temperature Rise</b>	45°C (81°F) at nominal coil voltage
<b>Temperature</b>	Max. 130°C (266°F)

### NOTES

1. All values at 20°C (68°F).
2. Relay may pull in with less than "Must Operate" value.
3. Specifications subject to change without notice.

### GENERAL DATA

<b>Life Expectancy Mechanical Electrical</b>	Minimum operations 2 x 10 <sup>6</sup> 1 x 10 <sup>5</sup> at 25 A 277 VAC Res.
<b>Operate Time (typical)</b>	20 ms at nominal coil voltage
<b>Release Time (typical)</b>	10 ms at nominal coil voltage (with no coil suppression)
<b>Dielectric Strength (at sea level for 1 min.)</b>	4500 Vrms coil to contact 1500 Vrms between open contacts 10,000 V surge contact to coil
<b>Insulation Resistance</b>	1000 megohms min. at 20°C, 500 VDC, 50% RH
<b>Dropout</b>	Greater than 10% of nominal coil voltage
<b>Ambient Temperature Operating Storage</b>	At nominal coil voltage -40°C (-40°F) to 80°C (176°F) -40°C (-40°F) to 130°C (266°F)
<b>Vibration</b>	0.062" DA at 10–55 Hz
<b>Shock Operating Non-Operating</b>	20 g, 11 ms, 1/2 sine (no false operation) 100 g, 11 ms, 1/2 sine (no damage)
<b>Enclosure</b>	P.B.T. polyester
<b>Terminals</b>	Tinned copper alloy P.C. & quick connect Note: Allow suitable slack on leads when wiring, and do not subject the terminals to excessive force.
<b>Max. Solder Temp.</b>	270°C (518°F)
<b>Max. Solder Time</b>	5 seconds
<b>Weight</b>	23 grams



**AMERICAN ZETTLER, INC.**

[www.azettler.com](http://www.azettler.com)

75 COLUMBIA • ALISO VIEJO, CA 92656 • PHONE: (949) 831-5000 • FAX: (949) 831-8642 • E-MAIL: SALES@AZETTLER.COM

4/24/09W

# AZ769

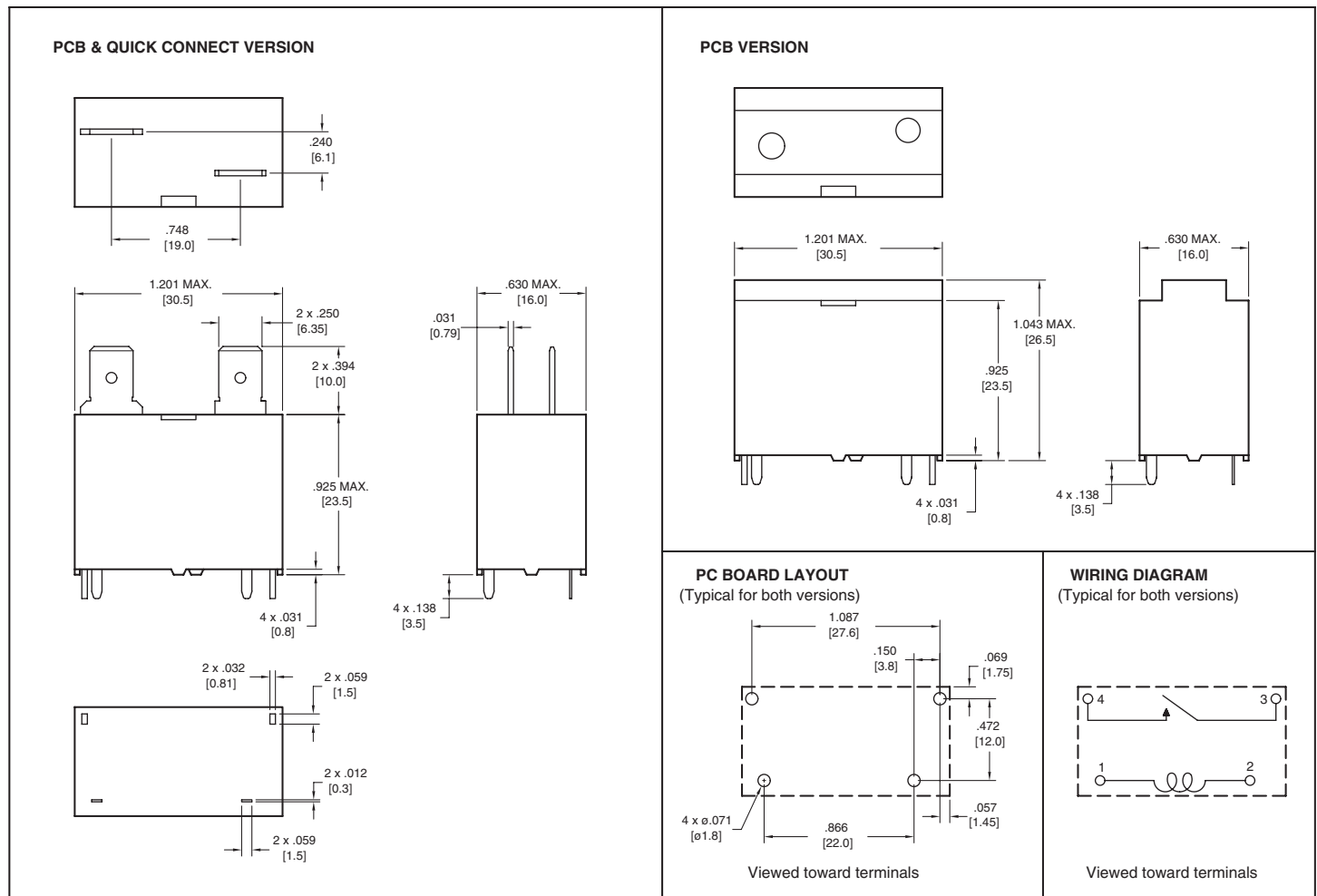
## RELAY ORDERING DATA

COIL SPECIFICATIONS - QUICK CONNECT TERMINALS				ORDER NUMBER*
Nominal Coil VDC	Must Operate VDC	Max. Continuous VDC	Coil Resistance $\pm 10\%$	Form A (SPST)
5	3.5	7.9	27.8	AZ769-1A-5D
12	8.4	19.0	160	AZ769-1A-12D
24	16.8	37.9	640	AZ769-1A-24D
48	33.6	76.0	2560	AZ769-1A-48D

COIL SPECIFICATIONS - PCB TERMINALS				ORDER NUMBER*
Nominal Coil VDC	Must Operate VDC	Max. Continuous VDC	Coil Resistance $\pm 10\%$	Form A (SPST)
5	3.5	7.9	27.8	AZ769-1A-5DK
12	8.4	19.0	160	AZ769-1A-12DK
24	16.8	37.9	640	AZ769-1A-24DK
48	33.6	76.0	2560	AZ769-1A-48DK

\*Add suffix "E" to "1A" for silver tin oxide contacts.

## MECHANICAL DATA



**AMERICAN ZETTLER, INC.**

[www.azettler.com](http://www.azettler.com)

75 COLUMBIA • ALISO VIEJO, CA 92656 • PHONE: (949) 831-5000 • FAX: (949) 831-8642 • E-MAIL: SALES@AZETTLER.COM

4/24/09W