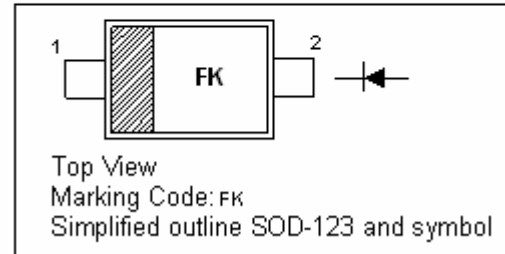


CRS01W

SCHOTTKY BARRIER RECTIFIER DIODE

PINNING

PIN	DESCRIPTION
1	Cathode
2	Anode

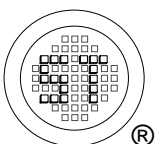


Absolute Maximum Ratings ($T_a = 25^\circ\text{C}$)

	Symbol	Value	Unit
Peak Repetitive Reverse Voltage	V_{RRM}	30	V
Average Forward Current	$I_{F(AV)}$	1.0	A
Non-Repetitive Peak One Cycle Surge Forward Current At 50Hz At 60Hz	I_{FSM} I_{FSM}	20 22	A
Junction Temperature Range	T_j	-40 to +125	$^\circ\text{C}$
Storage Temperature Range	T_s	-40 to +125	$^\circ\text{C}$

Characteristics at $T_{amb} = 25^\circ\text{C}$

	Symbol	Min.	Typ.	Max.	Unit
Peak Forward Voltage at $I_{FM} = 0.1\text{A}$ at $I_{FM} = 0.7\text{A}$ at $I_{FM} = 1.0\text{A}$	V_{FM} V_{FM} V_{FM}	- - -	0.25 0.33 0.36	- 0.37 -	V
Repetitive Peak Reverse Current at $V_{RRM} = 30\text{V}$	I_{RRM}	-	-	1.5	mA
Junction Capacitance at $V_R = 10\text{V}$, $f = 1\text{MHz}$	C_J	-	40	-	pF
Thermal Resistance On ceramic substrate On glass-epoxy substrate	$R_{th(j-a)}$	- -	- -	70 140	$^\circ\text{C}/\text{W}$



SEMTECH ELECTRONICS LTD.

(Subsidiary of Sino-Tech International Holdings Limited, a company listed on the Hong Kong Stock Exchange, Stock Code: 724)



ISO/TS 16949 : 2002 Certificate No. 05103
ISO 14001:2004 Certificate No. 7116
ISO 9001:2000 Certificate No. 0506098

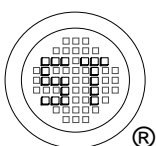
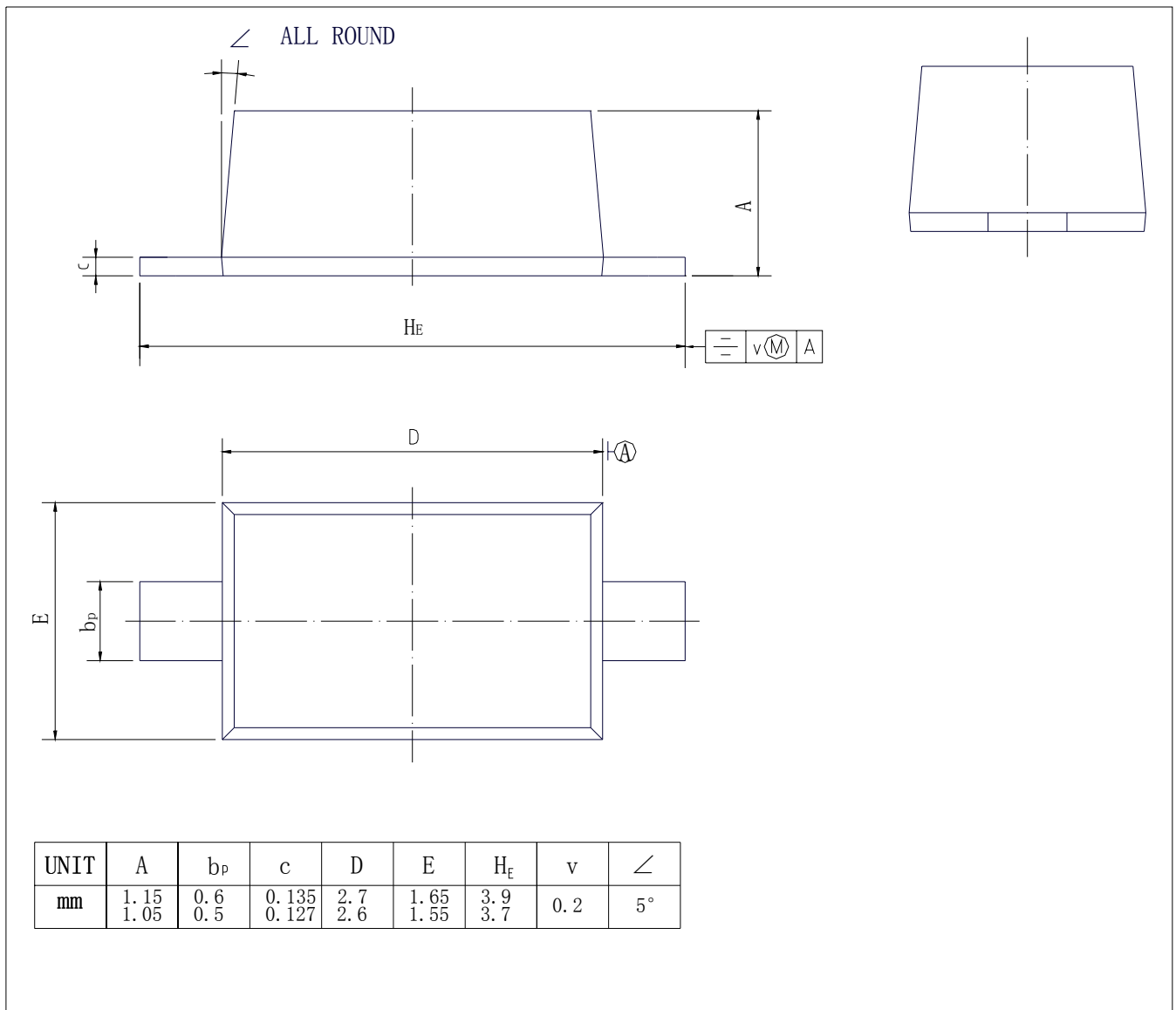
Dated : 21/05/2005

CRS01W

PACKAGE OUTLINE

Plastic surface mounted package; 2 leads

SOD-123



SEMTECH ELECTRONICS LTD.
 (Subsidiary of Sino-Tech International Holdings Limited, a company
 listed on the Hong Kong Stock Exchange, Stock Code: 724)



ISO/TS 16949 : 2002
 Certificate No. 05103



ISO 14001:2004
 Certificate No. 71116



ISO 9001:2000
 Certificate No. 0506098

Dated : 21/05/2005