

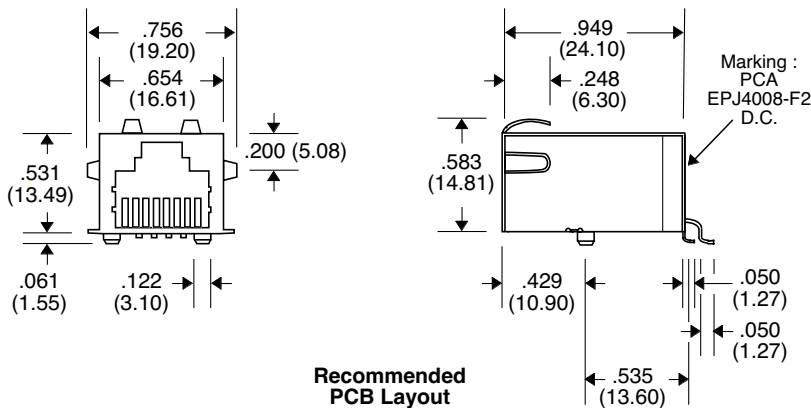


- Space saving RJ-45 Connector
- 1500 Vrms Isolation
- Pins : 0.018 Tin-Coated Copper Wire
- Operating Temperature : 0°C to +70°C
- Metal Shield : Nickel Plated Copper Alloy
- Thermo Plastic PBT UL94V-0 Rated Connector Housing

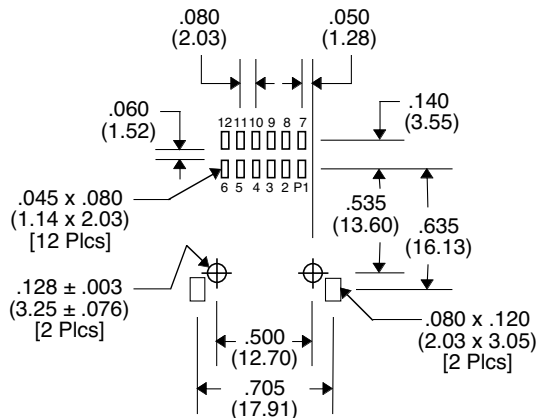
### Electrical Parameters @ 25° C

Turns Ratio (± 5%)	OCL ( $\mu$ H Min.) 8 mA DC Bias	Insertion Loss (dB Max.)	Return Loss (dB Min.)		CMRR (dB Min.)	CMDR (dB Min.)	Crosstalk (dB Min.)
			0.1-100 MHz	0.5-40 MHz			
	@ 100 KHz, 0.1 Vrms						
1CT:1CT	350	-1.0	-18	-12	-30	-40	-30

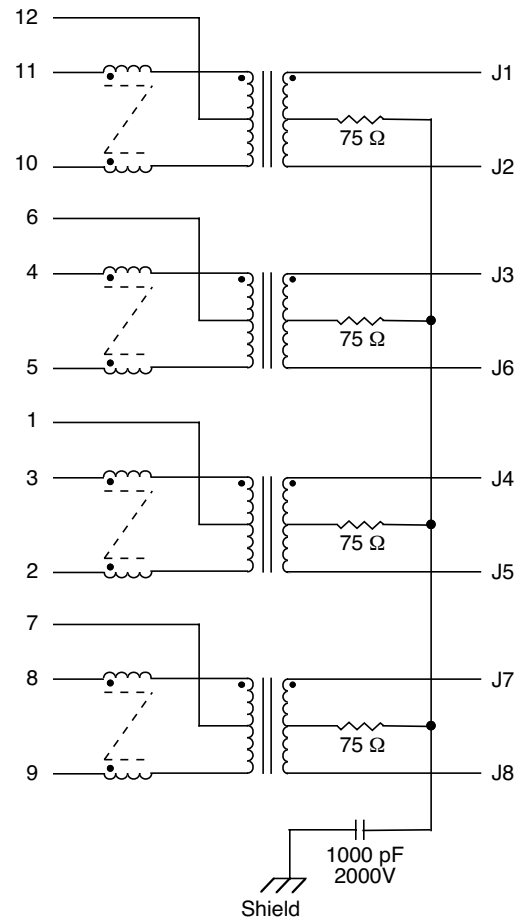
### Package



### Recommended PCB Layout



### Schematic



Unless Otherwise Specified Dimensions are in Inches /mm ±.010 /.25