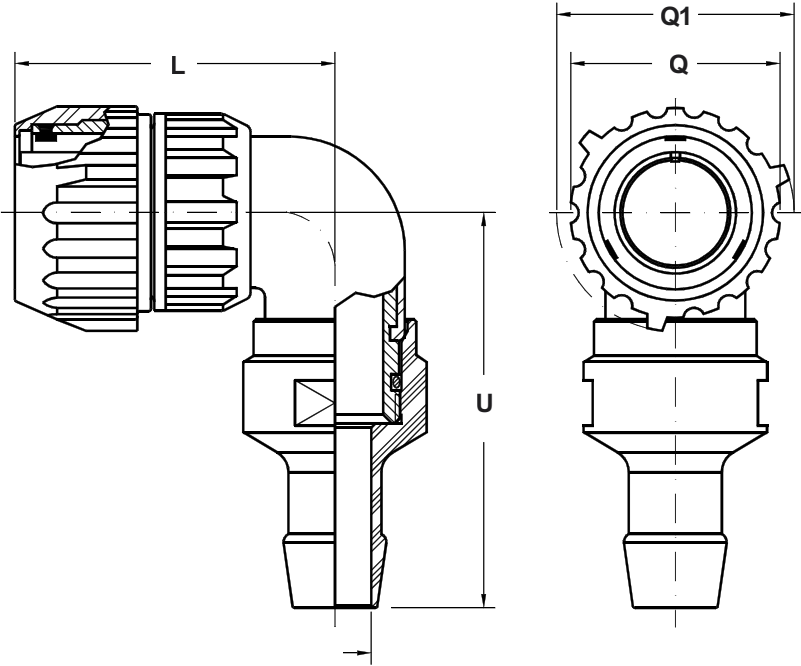
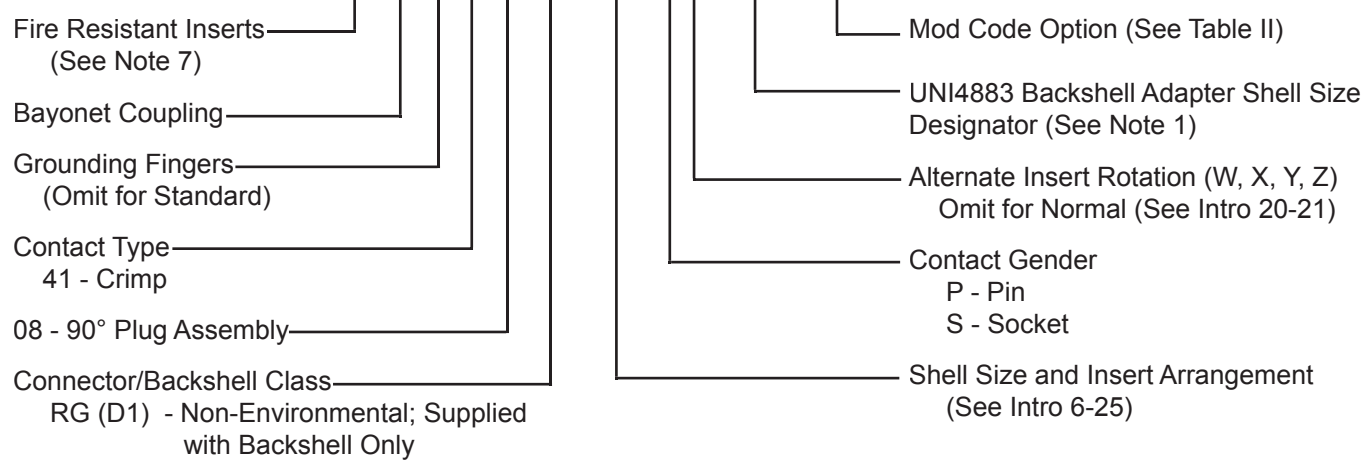




ITS 4108 RG (D1)
90° Cylindrical Plug Assembly
with Rubber-Coated Backshell
for Termination of UNI4883 Rubber Conduit

FR ITS G 41 08 RG 20-27 P Y D12722 XXX



**TABLE II:
MODIFICATION CODES**

CONTACT OPTIONS	
Sym	Description
B0	Connector less contacts
B1	Connector with gold plated contacts
Omit for standard version	

Application Notes:

1. 90° plug assembly with rubber-coated backshell for termination of UNI4883 type rubber conduit. *Use last 4 digits in Backshell Part Number; Column 1, Table III to Designate UNI4883 Rubber Hose Diameter.*
2. Non-environmental (no grommet supplied).
3. Standard materials configuration consists of aluminum alloy with cadmium olive drab finish.
4. Standard contact material consists of copper alloy with silver plating (Gold plating available, see mod codes).
5. A broad range of additional connector accessories are available. See our website and/or contact the factory for complete information.
6. Standard insert material is synthetic rubber.
7. Add "FR" prefix to front of part number to specify fire-resistant insert elastomers.



ITS 4108 RG (D1)
90° Cylindrical Plug Assembly
with Rubber-Coated Backshell
for Termination of UNI4883 Rubber Conduit



ITS-RG
Reverse Bayonet
Assemblies

TABLE I: DIMENSIONS

Dimensione Guscio Shell size	Tubi in gomma Rubber conduits UNI 4883	L Max.	ØQ ±0.5	ØQ1 ±0.5	U Max.
14 S	20x15 23x18 27x22 29x24 33x28 38x33 40x35 48x43 50x45	57	35.0	42.0	-
16 S		58	38.0	45.0	-
16		67	38.0	45.0	-
18		68	43.5	49.0	85
20		71	46.0	51.5	85
22		71	50.5	56.0	85
24		76	54.0	60.0	85
28		76	61.0	67.0	85
32		80	68.0	76.0	85
36		84	74.0	82.0	90
40		88	80.0	88.0	95

TABLE II: BACKSHELL DIMENSIONS

Part Number	Shell Size	A Thread	ØB ±0.1	ØQ ±0.2
IT 37267-10BR1712	10SL	0.6250 - 24UNEF	10.5	20.0
IT 37267-18BR2722	18	1.0000 - 20UNEF	20.5	30.0
IT 37267-20BR1712	20 - 22	1.1875 - 18UNEF	10.5	34.0
IT 37267-20BR2722	20 - 22	1.1875 - 18UNEF	20.5	34.0
IT 37267-20BR2833	20 - 22	1.1875 - 18UNEF	31.5	42.0
IT 37267-28BR2520	24 - 28	1.4375 - 18UNEF	16.5	45.0
IT 37267-28BR2722	24 - 28	1.4375 - 18UNEF	20.5	45.0
IT 37267-28BR3126	24 - 28	1.4375 - 18UNEF	22.5	45.0
IT 37267-28BR3328	24 - 28	1.4375 - 18UNEF	26.5	45.0
IT 37267-28BR3530	24 - 28	1.4375 - 18UNEF	26.5	45.0
IT 37267-28BR3833	24 - 28	1.4375 - 18UNEF	31.5	45.0
IT 37267-28BR5045	24 - 28	1.4375 - 18UNEF	36.2	45.0
IT 37267-32BR3126	32	1.7500 - 18UNS	24.5	53.0
IT 37267-32BR3328	32	1.7500 - 18UNS	26.5	53.0
IT 37267-32BR3833	32	1.7500 - 18UNS	31.5	53.0
IT 37267-32BR4035	32	1.7500 - 18UNS	31.5	53.0
IT 37267-32BR5045	32	1.7500 - 18UNS	40.0	53.0
IT 37267-36BR3530	36	2.0000 - 18UNS	26.5	57.4
IT 37267-36BR3833	36	2.0000 - 18UNS	31.5	57.4
IT 37267-36BR4035	36	2.0000 - 18UNS	31.5	57.4
IT 37267-36BR5045	36	2.0000 - 18UNS	43.5	57.4
IT 37267-40BR4136	40	2.2500 - 16UN	31.5	63.0
IT 37267-40BR4540	40	2.2500 - 16UN	38.5	63.0
IT 37267-40BR5045	40	2.2500 - 16UN	43.5	63.0
IT 37267-40BR5550	40	2.2500 - 16UN	48.5	63.0

