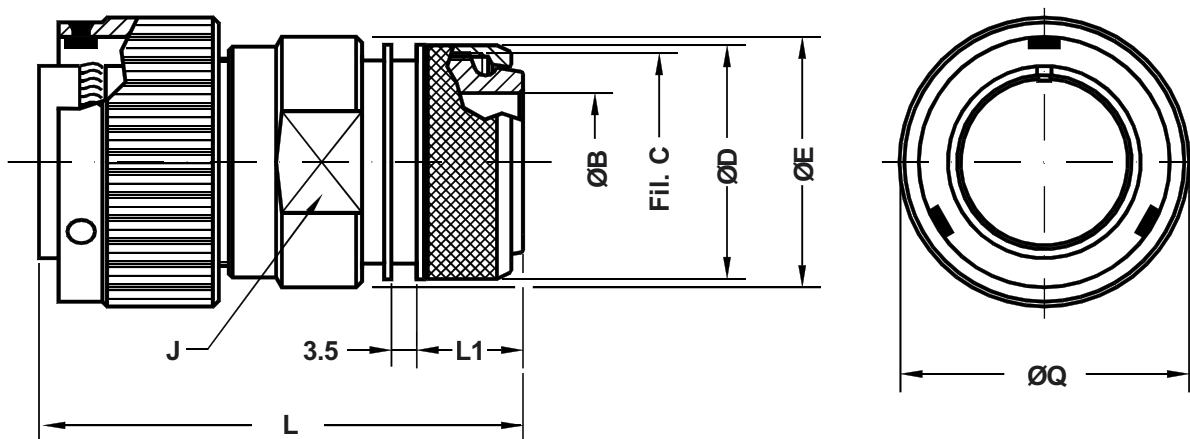
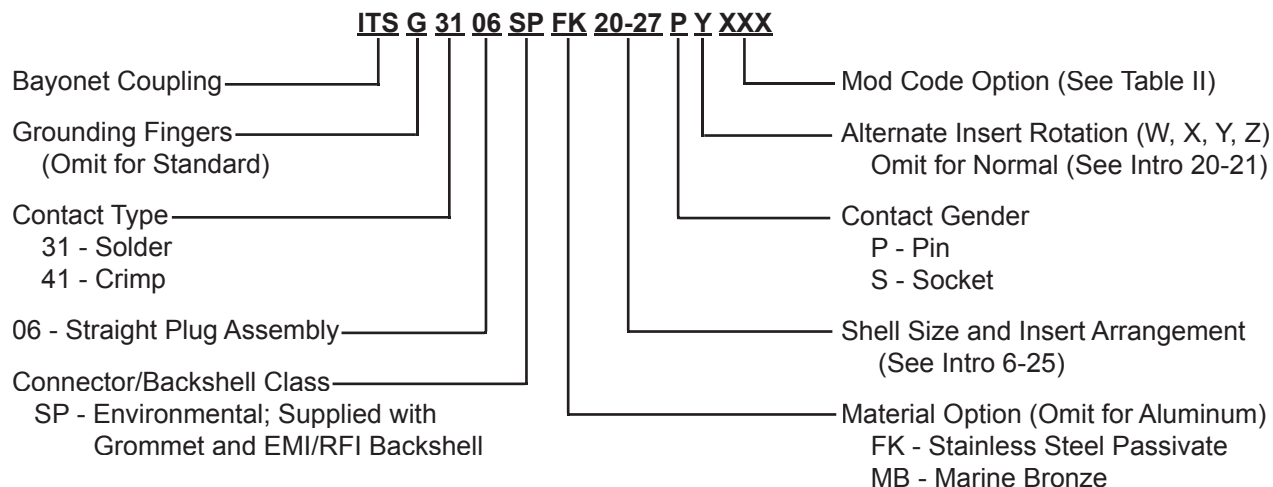




**ITS 3106 (SP) and ITS G 3106 (SP)  
ITS 4106 (SP) and ITS G 4106 (SP)  
Straight Cylindrical Plug Assembly  
with EMI/RFI Shield Termination Backshell**



**Application Notes:**

1. Straight plug assembly with EMI/RFI shield termination backshell. Backshell features rotating coupling nut and a "braid-trap" for termination of cable shielding. Heat-shrink tubing may also be attached for additional environmental and mechanical protection.
2. Connector/Backshell Class "SP" (environmental)—Wire sealing grommet supplied.
3. Standard materials configuration consists of aluminum alloy with cadmium olive drab finish.
4. Standard contact material consists of copper alloy with silver plating (Gold plating available, see mod codes).
5. A broad range of additional connector accessories are available. See our website and/or contact the factory for complete information.
6. Standard insert material is synthetic rubber. Add "FR" prefix to front of part number to specify fire resistant inserts



**ITS 3106 (SP) and ITS G 3106 (SP)  
ITS 4106 (SP) and ITS G 4106 (SP)  
Straight Cylindrical Plug Assembly  
with EMI/RFI Shield Termination Backshell**



ITS  
Reverse Bayonet  
Assemblies

**TABLE I: DIMENSIONS**

Shell Size	$\varnothing B$	Fil. C	$\varnothing D$	$\varnothing E$	J Key	L	L1	$\varnothing Q$
	Min.	C Thread	$\pm 0.2$	$\pm 0.2$		Max.	$\pm 0.1$	$\pm 0.2$
<b>10 SL</b>	8.6	M16 x 1	18.5	22.0	20	52.0	13.5	22.6
<b>14 S</b>	10.7	M20 x 1	22.3	25.0	23	52.0	13.5	29.0
<b>16 S</b>	13.9	M23 x 1	25.3	28.0	26	52.0	14.6	31.6
<b>16</b>	13.9	M23 x 1	25.3	28.0	26	63.5	14.6	31.6
<b>18</b>	15.0	M26 x 1	28.0	30.0	28	63.5	14.6	36.2
<b>20</b>	18.8	M30 x 1	32.3	34.5	32	64.5	14.6	39.8
<b>22</b>	22.8	M32 x 1	34.3	38.0	36	64.5	14.6	43.0
<b>24</b>	25.4	M36 x 1	38.3	41.0	39	66.0	14.6	46.4
<b>28</b>	28.3	M39 x 1	41.2	48.0	46	66.0	14.6	53.0
<b>32</b>	35.0	M45 x 1	48.3	54.0	52	67.5	14.6	60.0
<b>36</b>	40.5	M52 x 1	55.0	61.0	58	68.0	15.5	66.2
<b>40</b>	48.0	M59 x 1	62.0	68.0	65	68.0	15.5	72.3

**TABLE II: MODIFICATION CODES**

CONTACT OPTIONS	
Sym	Description
B0	Connector Less Contacts
B1	Connector with Gold Plated Contacts
Omit for Standard Version (Silver Plated)	
FINISH OPTIONS	
Sym	Description
F2	Bright Nickel Plating
F6	Black Electrodeposited Paint
F7	Black Zn-Co Plating
F8	Olive Drab Zn-Co Plating
Omit for Standard Version (Cad/Olive Drab Finish)	

