



Ceiling Mount Series Strobes and Horn/Strobes



Models Available

Strobe Models

<u>White</u>	<u>Red</u>
SC2415W	SC2415
SC241575W	SC241575
SC2430W	SC2430
SC2475W	SC2475
SC2495W	SC2495
SC24115W	SC24115
SC24177W	SC24177

Horn/Strobe Models

<u>White</u>	<u>Red</u>
PC2415W	PC2415
PC241575W	PC241575
PC2430W	PC2430
PC2475W	PC2475
PC2495W	PC2495
PC24115W	PC24115
PC24177W	PC24177

Accessory Mounting Plates

<u>White</u>	<u>Red</u>
BBSCW	BBSC



Product Overview

Lower current draw

Available in 15, 15/75, 30, 75, 95, 115, and 177 candela

Horn/strobe models include a three position switch for field-selecting horn tones:

- Electromechanical/3KHz
- Temporal/Non-temporal
- High/Low dBA output

Ceiling-specific shape, profile, and aesthetics

Synchronizable with MDL Sync•Circuit™ module

Mounts to 4" x 4" x 1½" back box

Round shape offers greater placement flexibility

System Sensor's SpectrAlert® ceiling mount series strobes and horn/strobes offer a fresh approach to addressing the unique needs for ceiling mount applications.

Technology. Like the original SpectrAlert, the SpectrAlert ceiling mount series offer significant current draw reductions over other ceiling mount strobes and horn/strobes.

Installation. SpectrAlert's compact design also offers installation savings. The strobe and horn/strobe models mount to a 4" x 4" x 1½" back box, and take up little room in the back box, making connections easier. And with SpectrAlert's round shape, it is not necessary to align the back box with the room's walls. SpectrAlert always lines up.

Flexibility. SpectrAlert ceiling mount strobes and horn/strobes are available in seven different candelas, including 177 candela for sleeping areas. The horn/strobe's tones are field-selectable through the use of a three position switch located on the back of the unit. Selections include electromechanical and 3 KHz tones, temporal and non-temporal patterns, and high and low volume.

Aesthetics. SpectrAlert ceiling strobes and horn/strobes offer a design that is sensitive to the aesthetic demands of ceiling mount applications. The round shape maintains a low profile appearance, similar to that of a smoke detector and provides clearly visible "FIRE" identification from all angles.



Engineering Specifications

Strobe

Strobe shall be a System Sensor SpectrAlert Model _____ listed to UL 1971 and be approved for fire protective service where ceiling mount strobes are permitted. The strobe shall be wired as a primary signaling notification appliance and shall flash at 1Hz over the strobe's entire operating range. The strobe light shall consist of a xenon flash tube and associated lens/reflector system.

Horn/Strobe Combination

Horn/strobe shall be a System Sensor SpectrAlert Model _____ listed to UL 1971 and UL 464 and be approved for fire protective service where ceiling mount horn/strobes are permitted. The horn/strobe shall be wired as a primary signaling notification appliance and shall flash at 1Hz over its entire operating range. The strobe light shall consist of a xenon flash tube and associated lens/reflector system. The horn shall have two tone options, two audibility options, and the option to switch between a temporal and a non-temporal continuous pattern. These options shall be selected by a multi-position switch. Strobes shall be powered independently of the sounder with the removal of factory installed jumper wires. The horn on horn/strobe models shall operate on a coded or non-coded power supply.

Note: The strobes must be powered continuously for the horn to operate.

General Specifications

Dimensions

6.8" diameter

Indoor Operating Temperature

32° to 120° F (0° to 49°C)

Weight

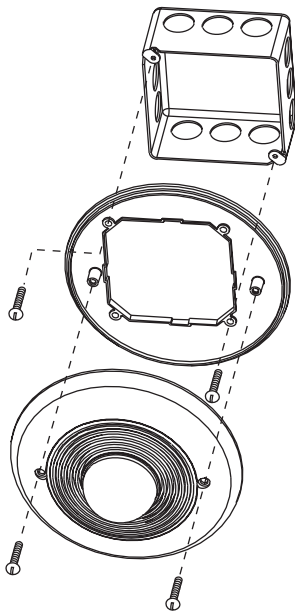
5.3 oz. (150 grams)

Mounting

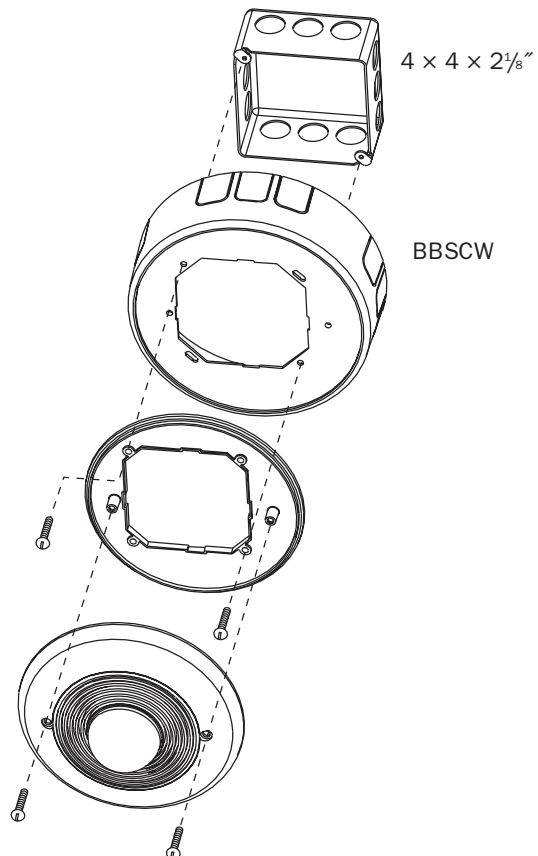
4" x 4" x 1½" back box or

4" x 4" x 2⅛" back box (with skirt)

SpectrAlert Mounting Diagrams



Strobe or Horn/Strobe with Mounting Plate



Strobe or Horn/Strobe with Accessory Back Box Skirt

Electrical Specifications

Operating Voltage
24 VDC and FWR¹ unfiltered

Operating Voltage Range
16–33 V

U.S. Patent Numbers
6,049,446
6,057,778
D424,465

Input Terminals
12 to 18 AWG

Operating Voltage Range w/Sync •Circuit Module²
17-33 V

Notes:

1. Full Wave Rectified (FWR) voltage is a non-regulated, time-varying power source that is used on some power supply and panel outputs.
2. The MDL causes a one-volt voltage drop in the notification appliance circuit.

Table 1-A: SpectrAlert Strobe UL Max. Current Draw (mA RMS)

Strobe Setting	16-33V FWR Operating Current – Strobe (mA RMS)	16-33V DC Operating Current – Strobe (mA RMS)
15	68	64
15/75	77	78
30	107	113
75	197	205
95	239	274
115	298	325
177	399	489

Table 1-B: Horn UL Max. Current Draw Measurements (mA RMS)

			16-33V (DC)	16-33V (FWR)
Temporal	Low Volume	Electromechanical	23	23
		3000 Hz Interrupted	33	23
	High Volume	Electromechanical	53	44
		3000 Hz Interrupted	57	40
Non-Temporal	Low Volume	Electromechanical	37	29
		3000 Hz Interrupted	32	33
	High Volume	Electromechanical	49	49
		3000 Hz Interrupted	56	58

Table 1-C: 24V DC Horn/Strobe UL Max. Current Draw Measurements (mA RMS)

Candela Setting	Temporal				Non-Temporal			
	Low Volume		High Volume		Low Volume		High Volume	
	Electromechanical	3000 Hz	Electromechanical	3000 Hz	Electromechanical	3000 Hz	Electromechanical	3000 Hz
15	73	73	76	78	75	75	81	86
15/75	89	89	91	92	89	90	96	98
30	126	125	128	128	125	125	131	134
75	225	222	222	222	219	219	221	222
95	272	270	271	271	266	265	269	270
115	297	297	296	296	291	290	292	293
177	512	504	501	496	491	493	491	496

Explanation of Published Voltage, Current, and SPL Specifications

In May 2004 Underwriters Laboratories changed standard UL 1971 to require that operating current measurements are made using RMS (root mean square) instead of peak or average values. RMS measurements more accurately predict the power consumption of a device since they take into account the entire current draw profile including surge, repetitive surge, and peak values. The published RMS current is the maximum operating current of that device within its operating voltage range. This current maximum may or may not occur at the endpoints of the voltage range.

Similarly, UL tests the audibility of devices in accordance with UL 464 by measuring them across the operating voltage range to determine the minimum sound pressure level produced at any particular setting.

During May 2004, UL also changed the way they list the voltage range of a device. All 12V products will be listed between 8 – 17.5V and all 24V products will be listed between 16 – 33V. Those devices are considered “regulated”. Any product that does not operate within these ranges will be listed as a “special application” with its operating voltage specified on the device.

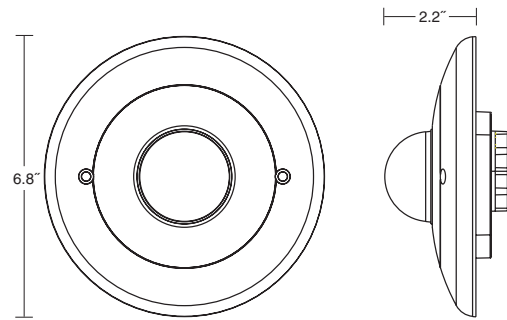
Notes

1. Current draw for strobe-only products is shown in Table 1-A.
2. 24VDC 2-wire horn/strobe current draw is shown in Table 1-C.
3. Current draw for other horn/strobe power supplies can be calculated by adding the strobe current in Table 1-A to the horn current in Table 1-B from the chosen settings.

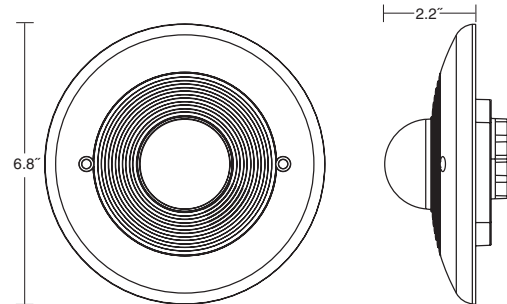
Horn Sound Measurements (dBA)

Selectable Horn Tones			16-33V
Temporal	Low Volume	Electromechanical	75
		3000 Hz Interrupted	75
	High Volume	Electromechanical	80
		3000 Hz Interrupted	81
Non-Temporal	Low Volume	Electromechanical	79
		3000 Hz Interrupted	79
	High Volume	Electromechanical	84
		3000 Hz Interrupted	86

SpectrAlert Dimensions



SpectrAlert Ceiling Mount Strobe



SpectrAlert Ceiling Mount Horn/Strobe

Ordering Information

Model No.	Description
SC2415	Ceiling-mount strobe, 24 volt, 15 candela, red
SC2415W	Ceiling-mount strobe, 24 volt, 15 candela, white
SC241575	Ceiling-mount strobe, 24 volt, 15/75 candela, red
SC241575W	Ceiling-mount strobe, 24 volt, 15/75 candela, white
SC2430	Ceiling-mount strobe, 24 volt, 30 candela, red
SC2430W	Ceiling-mount strobe, 24 volt, 30 candela, white
SC2475	Ceiling-mount strobe, 24 volt, 75 candela, red
SC2475W	Ceiling-mount strobe, 24 volt, 75 candela, white
SC2495	Ceiling-mount strobe, 24 volt, 95 candela, red
SC2495W	Ceiling-mount strobe, 24 volt, 95 candela, white
SC24115	Ceiling-mount strobe, 24 volt, 115 candela, red
SC24115W	Ceiling-mount strobe, 24 volt, 115 candela, white
SC24177	Ceiling-mount strobe, 24 volt, 177 candela, red
SC24177W	Ceiling-mount strobe, 24 volt, 177 candela, white
PC2415	Ceiling-mount horn/strobe, 24 volt, 15 candela, red
PC2415W	Ceiling-mount horn/strobe, 24 volt, 15 candela, white
PC241575	Ceiling-mount horn/strobe, 24 volt, 15/75 candela, red
PC241575W	Ceiling-mount horn/strobe, 24 volt, 15/75 candela, white
PC2430	Ceiling-mount horn/strobe, 24 volt, 30 candela, red
PC2430W	Ceiling-mount horn/strobe, 24 volt, 30 candela, white
PC2475	Ceiling-mount horn/strobe, 24 volt, 75 candela, red
PC2475W	Ceiling-mount horn/strobe, 24 volt, 75 candela, white
PC2495	Ceiling-mount horn/strobe, 24 volt, 95 candela, red
PC2495W	Ceiling-mount horn/strobe, 24 volt, 95 candela, white
PC24115	Ceiling-mount horn/strobe, 24 volt, 115 candela, red
PC24115W	Ceiling-mount horn/strobe, 24 volt, 115 candela, white
PC24177	Ceiling-mount horn/strobe, 24 volt, 177 candela, red
PC24177W	Ceiling-mount horn/strobe, 24 volt, 177 candela, white
Accessories	
MDL	Sync•Circuit™ Module, red
MDLW	Sync•Circuit™ Module, white
BBSC	Surface-mount back box skirt, red
BBSCW	Surface-mount back box skirt, white

System Sensor Sales and Service

System Sensor Headquarters
3825 Ohio Avenue
St. Charles, IL 60174
Ph: 800/SENSOR2
Fx: 630/377-6495
www.systemsensor.com

System Sensor Canada
Ph: 905.812.0767
Fx: 905.812.0771

System Sensor Europe
Ph: 44.1403.276500
Fx: 44.1403.276501

System Sensor in China
Ph: 86.29.8832.0119
Fx: 86.29.8832.5119

System Sensor in Singapore
Ph: 65.6273.2230
Fx: 65.6273.2610

System Sensor – Far East
Ph: 85.22.191.9003
Fx: 85.22.736.6580

System Sensor – Australia
Ph: 613.54.281.142
Fx: 613.54.281.172

System Sensor – India
Ph: 91.124.237.1770 x.2700
Fx: 91.124.237.3118

System Sensor – Russia
Ph: 70.95.937.7982
Fx: 70.95.937.7983