




Data Sheet



Product Category: Quartz Crystal

Series Number	Package	Description	Last Modified
111 ~ 113	3x8, 2x6, 1.5x5	32.768 KHz Tuning Fork	July. 01 2005

Quartz Crystal FEATURES

- Excellent resistance and environmental characteristics
- Tight tolerance
- Long term stability
- Cost effective
- 3 available packages
- See Oscilent [223 series](#) for surface mount version
- RoHs / Lead Free compliant 



OPERATING CONDITIONS / ELECTRICAL CHARACTERISTICS

PARAMETERS		111 Series	112 Series	113 Series	UNITS
Size (Figure No.)	-	3x8 (Fig. 1)	2x6 (Fig. 2)	1.5x5 (Fig. 3)	-
Frequency Range	f_0	32.768			KHz
Frequency Tolerance	$\Delta f/f_0$	± 10 or ± 20			PPM
Load Capacitance (typ.)	C_L	12.5 (typ.) / 6.0 (optional)		8.0 (typ.)	pF
Drive Level (max.)	D_L	1.0 ± 0.2			μW
Resistance (at Series Resonance)	R_1	30 max.	40 max.		Kohm
Q-Factor	Q	80,000 (typ.), 50,000 min.	70,000 (typ.), 40,000 min.	80,000 (typ.)	-
Turnover Temperature	T_M	$+25 \pm 5$			$^{\circ}C$
Parabolic Curvature Constant	-	-0.036 ± 0.006			PPM/ $^{\circ}C$
Shunt Capacitance	C_0	1.30 (typ.), 2.0 max.	1.10 (typ.), 1.8 max.	1.0 (typ.)	pF
Capacitance Ratio	-	530 (typ.), 650 max.	470 (typ.), 650 max.	400 (typ.)	-
Operating Temperature	T_{OPR}	$-10 \sim +60$			$^{\circ}C$
Storage Temperature	T_{STG}	$-20 \sim +70$			$^{\circ}C$
Shock Resistance	-	Drop test 3 times on hard wooden board fr. height 75cm/ ± 3 PPM max.			PPM
Insulation Resistance	IR	500 Mohm min./DC100V			Mohm

PACKAGE DIMENSIONS (mm)

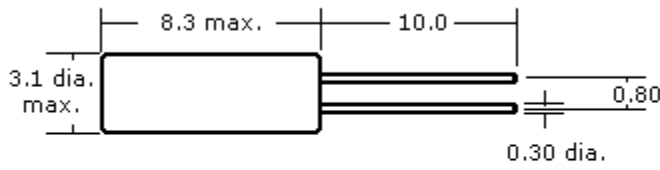


Figure 1) 3x8mm

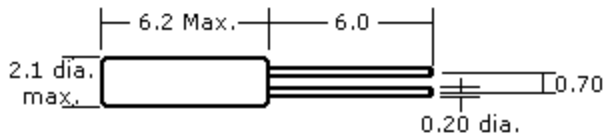


Figure 2) 2x6mm

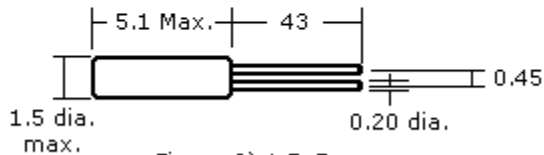
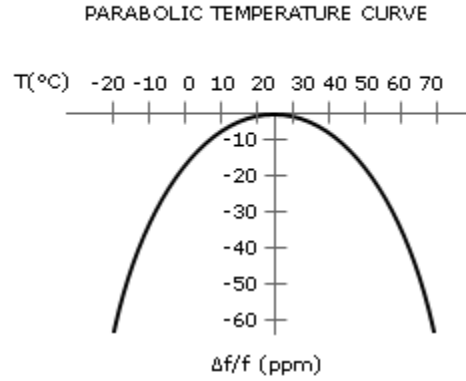


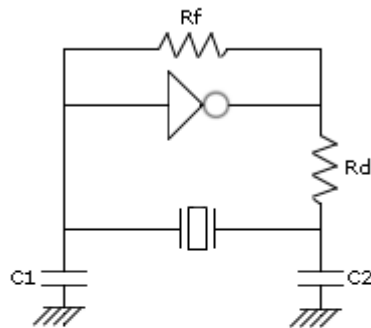
Figure 3) 1.5x5mm



To determine frequency stability, use parabolic curvature.
For example: What is the stability at 45°C?

- 1) Change in T(°C) = 45 - 25 = 20°C
- 2) Change in frequency = $-0.04\text{ppm} \times (\Delta T)^2$
 $= -0.04\text{ppm} \times (20)^2$
 $= -16.0\text{ppm}$

RECOMMENDED OSCILLATION CIRCUIT



ELECTRICAL CHARACTERISTICS

- IC: TC 4069P
- Rf: 10 Megohms
- Rd: 330 Kohms (As required)
- C1 = 22pF, C2 = 22pF
- Vdd = 3.0V

In this circuit, low drive level with a maximum of 1uW is recommended. If excessive drive is applied, irregular oscillation or quartz element fractures may occur.

PART NUMBER GUIDE

Size	Figure No.	Frequency	Load Capacitance	Frequency Tolerance	Part Number	Packaging**

3x8	1	32.768 KHz	12.5 pF	±10	111-000312-10	Blank* = Bulk -TR = Tape/ Reel
				±20	111-000312-20	
			6.0 pF	±10	111-000306-10	
				±20	111-000306-20	
2x6	2		12.5 pF	±10	112-000312-10	
				±20	112-000312-20	
			6.0 pF	±10	112-000306-10	
				±20	112-000306-20	
1.5x5	3	8.0 pF (typ.) or Specify	±10	113-000308-10		
			±20	113-000308-20		
<p>NOTE: Deviations on all parameters available. Please consult Oscilent for details.</p> <p>DEFINITIONS: Click on the characteristic names above for definitions of that particular characteristic.</p> <p>*STANDARDS: "Blank" part number selections indicate standard variables for that particular characteristic.</p> <p>**PACKAGING: Click on the packaging name above for tape/reel specifications</p>						

Oscilent Corporation - CALL **949.252.0522**

Series No.: [111 to 113](#)

18195 East McDurrnott Street , Building D , Irvine , CA 92614 , USA
 Fax: 949.252.0599 , E-Mail: Sales@Oscilent.com