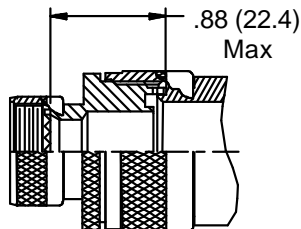
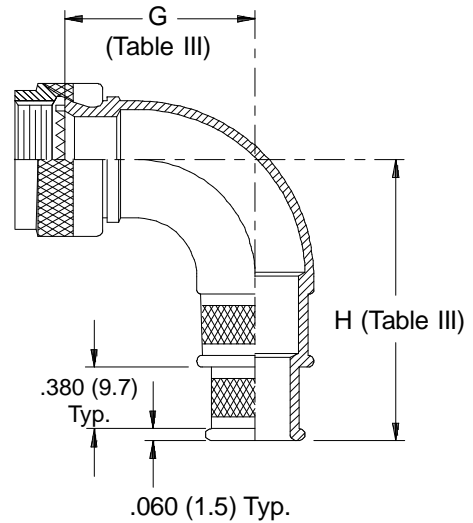
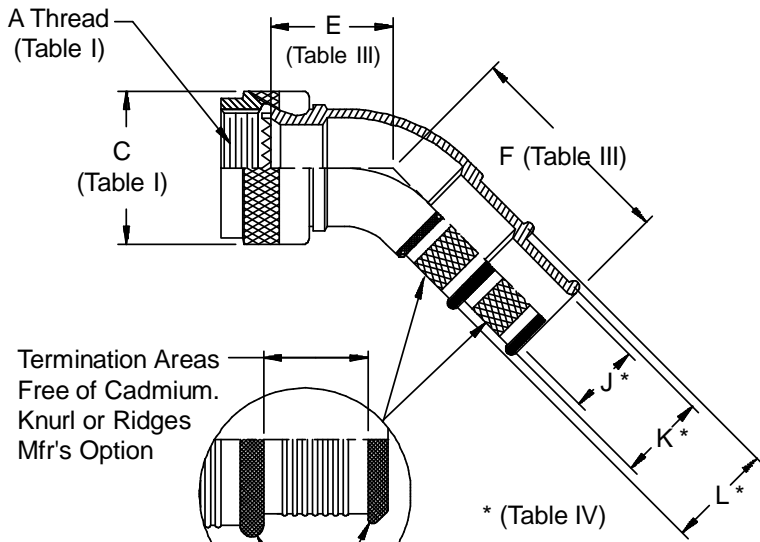
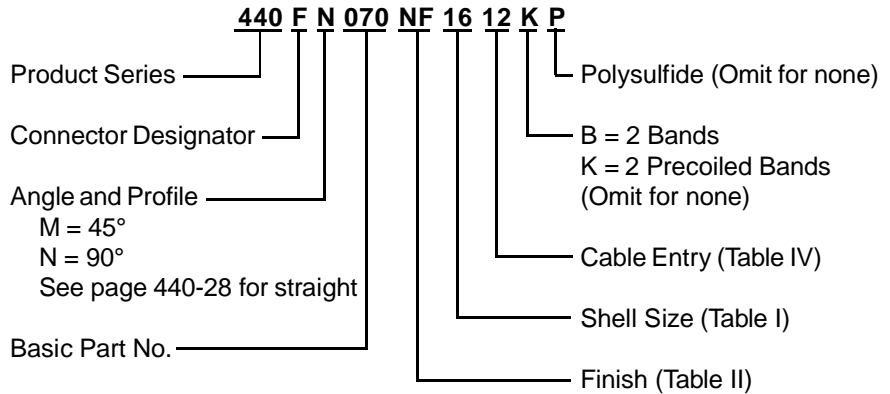
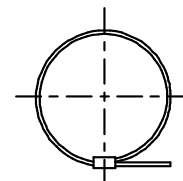


**CONNECTOR
 DESIGNATORS
 A-F-H-L-S
 ROTATABLE
 COUPLING**



STYLE 2
 (See Note 1)



Band Option
 (K Option Shown -
 See Note 3)

See inside back cover
fold-out or pages 13 and
14 for Tables I and II.

TABLE III: ELBOW DIMENSIONS

Shell Size		E Max	F Max	G Max	H Max
Conn. Desig. A-F-L-S	H				
08	09	.812 (20.6)	1.230 (31.2)	1.125 (28.6)	1.530 (38.9)
10	11	.875 (22.2)	1.290 (32.8)	1.250 (31.8)	1.660 (42.2)
12	13	.938 (23.8)	1.350 (34.3)	1.375 (34.9)	1.790 (45.5)
14	15	1.000 (25.4)	1.410 (35.8)	1.500 (38.1)	1.910 (48.5)
16	17	1.062 (27.0)	1.470 (37.3)	1.625 (41.3)	2.040 (51.8)
18	19	1.094 (27.8)	1.540 (39.1)	1.750 (44.5)	2.160 (54.9)
20	21	1.156 (29.4)	1.600 (40.6)	1.875 (47.6)	2.290 (58.2)
22	23	1.188 (30.2)	1.660 (42.2)	2.000 (50.8)	2.410 (61.2)
24	25	1.250 (31.8)	1.720 (43.7)	2.125 (54.0)	2.540 (64.5)

TABLE IV: CABLE ENTRY

Dash No.	J Dia	K Dia	L Dia
02	.125 (3.2)	.250 (6.4)	.312 (7.9)
03	.188 (4.8)	.312 (7.9)	.375 (9.5)
04	.250 (6.4)	.375 (9.5)	.438 (11.1)
05	.312 (7.9)	.438 (11.1)	.500 (12.7)
06	.375 (9.5)	.500 (12.7)	.562 (14.3)
07	.438 (11.1)	.562 (14.3)	.625 (15.9)
08	.500 (12.7)	.625 (15.9)	.688 (17.5)
09	.562 (14.3)	.688 (17.5)	.750 (19.1)
10	.625 (15.9)	.750 (19.1)	.812 (20.6)
11	.688 (17.5)	.812 (20.6)	.875 (22.2)
12	.750 (19.1)	.875 (22.2)	.938 (23.8)
13	.812 (20.6)	.938 (23.8)	1.000 (25.4)
14	.875 (22.2)	1.000 (25.4)	1.062 (27.0)
15	.938 (23.8)	1.062 (27.0)	1.125 (28.6)
16	1.000 (25.4)	1.125 (28.6)	1.188 (30.2)
17	1.062 (27.0)	1.188 (30.2)	1.250 (31.8)
18	1.125 (28.6)	1.250 (31.8)	1.312 (33.3)
20	1.250 (31.8)	1.375 (34.9)	1.438 (36.5)
22	1.375 (34.9)	1.500 (38.1)	1.562 (39.7)
24	1.500 (38.1)	1.625 (41.3)	1.688 (42.9)

1. When maximum cable entry (page 21) is exceeded, Style 2 will be supplied. Dimensions E, F, G and H will not apply. Please consult factory.
2. Metric dimensions (mm) are indicated in parentheses.
3. Backshells supplied with 600-052-* band, see Glenair Series 600 Tool Catalog for installation.