

527-287
Split Backshell
Straight, 45°, & 90° Entry
for Hughes MRS Pin Body Connectors

527 S 287 NF 158 C 2 W 1

Product Series ————

Angle and Profile ————
S = Straight
A = 45°
B = 90°

Basic No. ————

Finish (Table II) ————

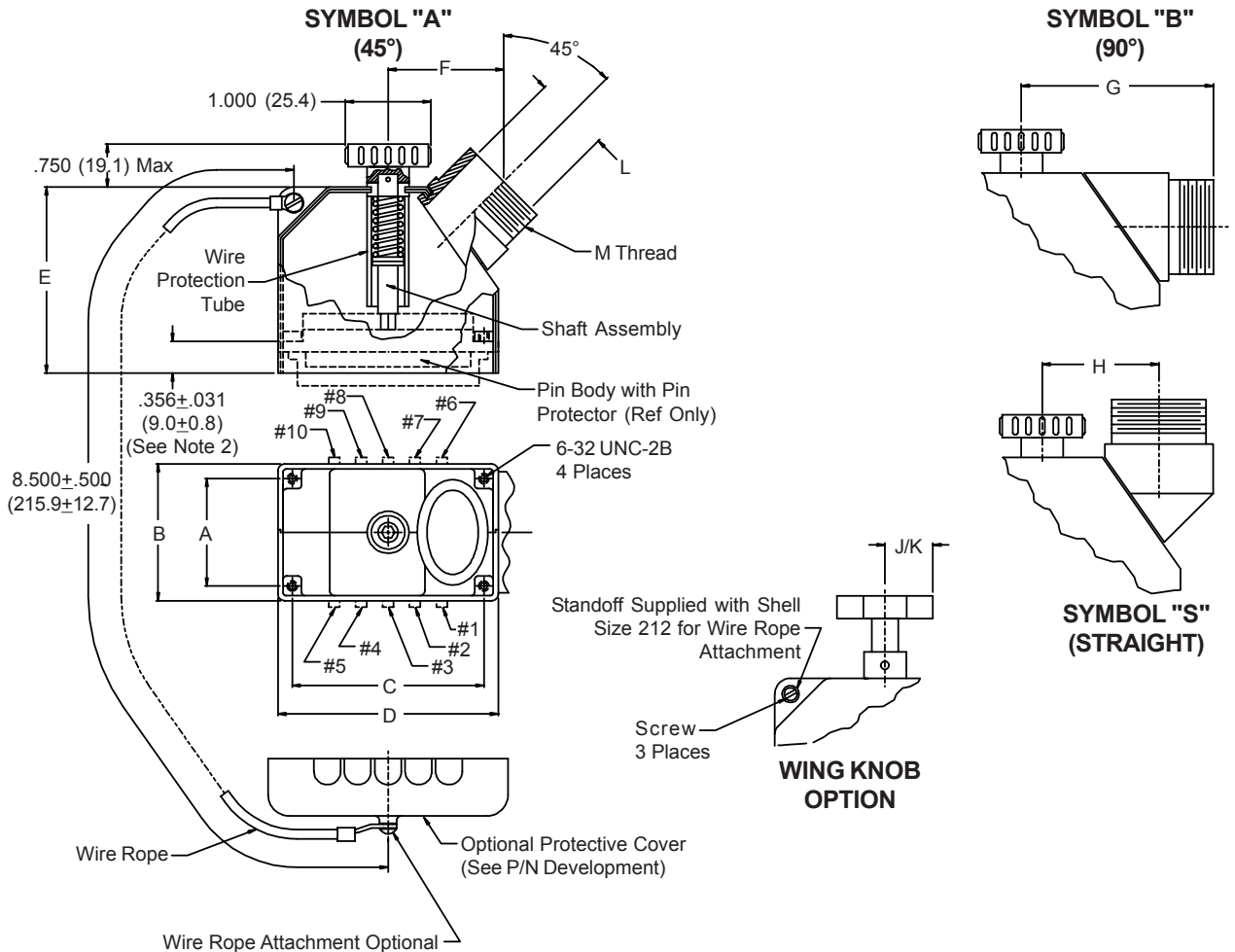
Shell Size (Table I) ————

1 = Slotted Shaft for use with screw driver (Omit for Standard)

W = Wing Knob
X = Wing Knob, Low Profile (Dim K Applies) (Omit for Standard)

Polarization Position (Omit for None)

C = Protective Cover and Chain
N = No Cover and Chain



NOTES:

1. Metric dimensions (mm) are indicated in parentheses.
2. Backshells to be used with Pin Body Connectors, Back-Mounted on .094 (2.4) Nominal Panel.

527-287
Split Backshell
Straight, 45°, & 90° Entry
for Hughes MRS Pin Body Connectors



Miscellaneous
Rectangular
Backshells

TABLE I: CONNECTOR INTERFACE DIMENSIONS (Continued Below)

| Shell Size | A Dim | B Dim | C Dim | D Max Dim | E Max Dim | F Max Dim | G Max Dim | H Max Dim |
|------------|--------------|--------------|--------------|--------------|--------------|--------------|--------------|--------------|
| 20 | 0 | 1.090 (27.7) | 1.300 (33.0) | 1.940 (49.3) | 3.000 (76.2) | 2.000 (50.8) | 1.880 (47.8) | 2.000 (50.8) |
| 36 | 0 | 1.090 (27.7) | 1.750 (44.5) | 2.390 (60.7) | 3.000 (76.2) | 2.000 (50.8) | 1.880 (47.8) | 2.000 (50.8) |
| 52 | .550 (14.0) | 1.340 (34.0) | 1.900 (48.3) | 2.530 (64.3) | 3.000 (76.2) | 2.000 (50.8) | 1.880 (47.8) | 2.000 (50.8) |
| 80 | .812 (20.6) | 1.620 (41.1) | 2.045 (51.9) | 2.680 (68.1) | 3.000 (76.2) | 2.000 (50.8) | 1.880 (47.8) | 2.000 (50.8) |
| 104 | .812 (20.6) | 1.620 (41.1) | 2.500 (63.5) | 3.130 (79.5) | 3.750 (95.3) | 2.130 (54.1) | 2.130 (54.1) | 2.130 (54.1) |
| 158 | 1.250 (31.8) | 2.110 (53.6) | 2.500 (63.5) | 3.130 (79.5) | 3.750 (95.3) | 2.380 (60.5) | 2.130 (54.1) | 2.130 (54.1) |
| 212 | 1.850 (47.0) | 2.640 (67.1) | 2.500 (63.5) | 3.130 (79.5) | 3.750 (95.3) | 2.380 (60.5) | 2.130 (54.1) | 2.130 (54.1) |

TABLE I: CABLE ENTRY (Continued)

| Shell Size | J Dim ±.005 (0.1) | K Dim ±.005 (0.1) | L Dim | M Thread |
|------------|-------------------|-------------------|--------------|-----------------|
| 20 | .630 (16.0) | N/A | .500 (12.7) | .750 - 20 UNEF |
| 36 | .630 (16.0) | N/A | .500 (12.7) | .750 - 20 UNEF |
| 52 | .935 (23.7) | N/A | .625 (15.9) | .875 - 20 UNEF |
| 80 | .935 (23.7) | N/A | 1.000 (25.4) | 1.250 - 18 UNEF |
| 104 | .935 (23.7) | N/A | 1.000 (25.4) | 1.250 - 18 UNEF |
| 158 | .995 (25.3) | .935 (23.7) | 1.250 (31.8) | 1.500 - 18 UNEF |
| 212 | .995 (25.3) | N/A | 1.250 (31.8) | 1.500 - 18 UNEF |

TABLE III: FINISH OPTIONS

| Symbol | Finish |
|--------|---|
| B | Cadmium Plate/Olive Drab |
| C* | Black Anodize |
| G* | Anodic Hard Coat |
| J | Gold Iridite over Cadmium Plate over Electroless Nickel |
| LF | Cadmium Plate/Bright over Electroless Nickel |
| M | Electroless Nickel |
| N | Cadmium Plate/Olive Drab over Electroless Nickel |
| NC | Zinc Cobalt/Dark Olive Drab |
| NF | Cadmium Plate/Olive Drab over Electroless Nickel |
| T | Cadmium Plate/Bright over Electroless Nickel |
| U** | Cadmium Plate/Black |
| ZN | Zinc-Nickel Alloy/Olive Drab |

*Anodize finish is not suitable for EMI shielding or grounding applications.

**Applicable to corrosion resisting steel backshells and accessories. Consult factory for other available finishes.

Metric dimensions (mm) are indicated in parentheses.