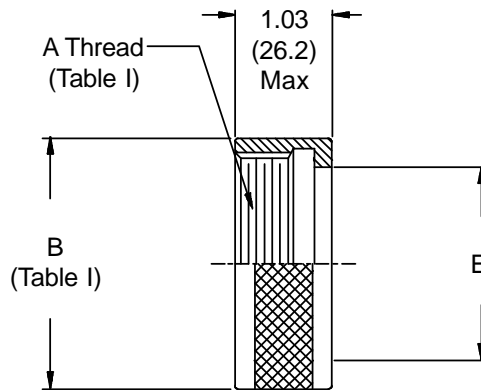
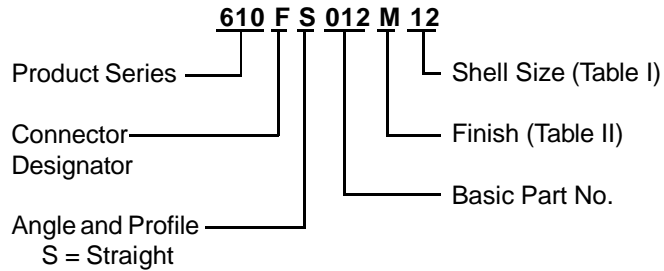


**CONNECTOR
DESIGNATORS**
A-B*-C-D-E-F
G-H-J-K-L-S

* Conn. Desig. B See Note 2
DIRECT COUPLING



See inside back cover fold-out or pages 13 and 14 for Tables I and II.

TABLE III: CABLE ENTRY

Shell Size	E Dia Ref
08/09	.250 (6.4)
10/11	.303 (7.7)
12/13	.408 (10.4)
14/15	.490 (12.4)
16/17	.609 (15.5)
18/19	.730 (18.5)
20/21	.870 (22.1)
22/23	.978 (24.8)
24/25	1.090 (27.7)
28/29	1.250 (31.8)
32/33	1.520 (38.6)
36	1.756 (44.6)

1. Metric dimensions (mm) are indicated in parentheses.
2. When using Connector Designator B refer to pages 18 and 19 for part number development.