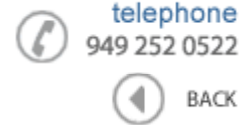




Data Sheet



Product Category: Filters

Series Number	Package	Description	Last Modified
739	Ceramic Filter	450 ~ 470 KHz	Jan. 01 2007

Filter FEATURES

- Ceramic Filter for AM use
- Excellent matching characteristics for IFT
- RoHS Compliant



OPERATING CONDITIONS / ELECTRICAL CHARACTERISTICS / PART NUMBER GUIDE

Ceramic Filter for AM (Figure 1) In/Out Impedance = 3K ohm

PART NO.	Center Frequency KHz	3 dB Bandwidth KHz	Selectivity		Insertion Loss dB max.	Composition
			-9 KHz OFF	+9 KHz OFF		
			dB min.	dB min.		
739-455-A	455 ±2.0	9.5 ±3.0	5.0	3.0	5.0	1 Element
739-455-B	462 ±2.0	9.5 ±3.0	5.0	3.0	5.0	1 Element w/ IFT
739-450-BY	455 ±2.0	7.0 ±2.0	6.0	5.0	5.0	
739-450-BY1	452.5 ±2.0	4.5 ±1.5	6.0	8.0	5.0	

Coupling Type for AM (Figure 2) In/Out Impedance = 3K ohm

PART NO.	Center Frequency KHz	3 dB Bandwidth KHz	Selectivity		Insertion Loss dB max.	Composition
			-9 KHz OFF	+9 KHz OFF		
			dB min.	dB min.		
739-455-HL-C	455.5 ±2.0	4.0 ±1	23	23	7	2 Elements Direct coupling type
739-455-JL-C	456 ±2.0	5.5 ±1	18	18	7	

Ceramic Filter for Radio Cassette Recorder (Figure 1)

PART NO.	Center Frequency	6 dB Bandwidth	Selectivity ±9 KHz OFF	Spurious Att (fn ±100KHz)	Insertion Loss	Pass Band Ripple
	KHz	KHz min.	dB min.	dB min.	dB max.	dB max.
739-450-LTA	450 ±2.0	8	11	12	3	1
739-455-LTA	455 ±2.0	8	11	12	3	1
739-465-LTA	465 ±2.0	8	11	12	3	1

NOTE: Deviations on all parameters available. 450 ~ 470 center freq. available. Please consult Oscilent for details.

DEFINITIONS: Click on the characteristic names above, for definitions of the particular characteristic.

PACKAGE DIMENSIONS (mm)

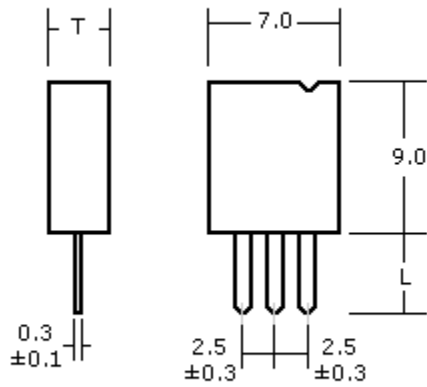


Figure 1

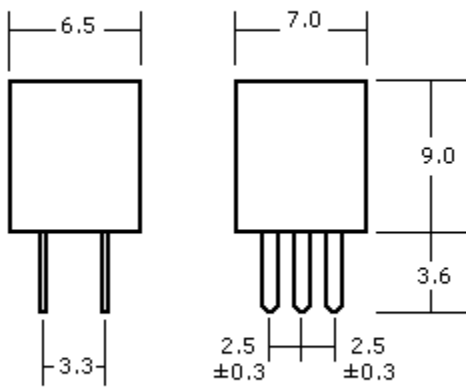
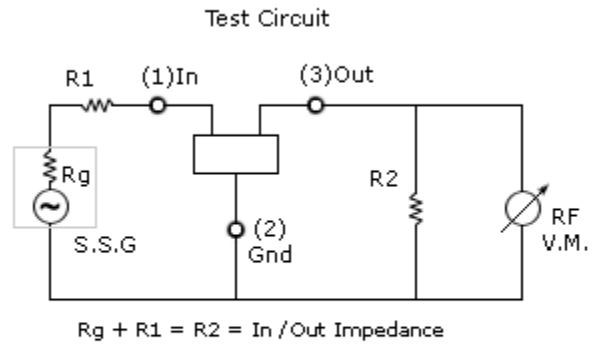
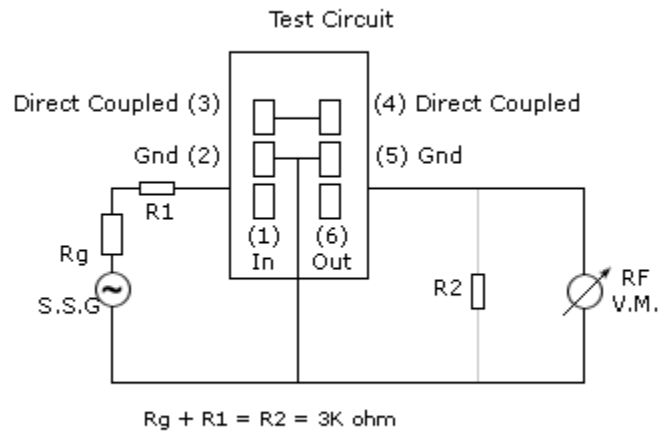


Figure 2



Oscilent Corporation - CALL **949.252.0522**
 18195 East McDermott Street . Building D . Irvine . CA 92614 . USA
 Fax: 949.252.0599 . E-Mail: Sales@Oscilent.com

Series No.: 739