



Data Sheet



Product Category: RF SAW Filter

Part Number	Package	Application	Last Modified
803-RF325.3M-A	3.8 x 3.8 SMD	Wireless	Jan. 01, 2007

TYPE :
Wireless RF SAW Filter



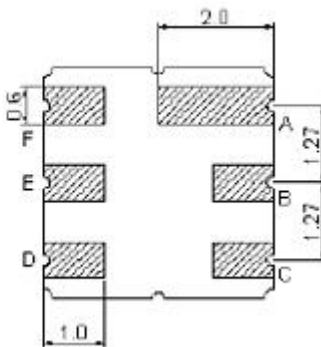
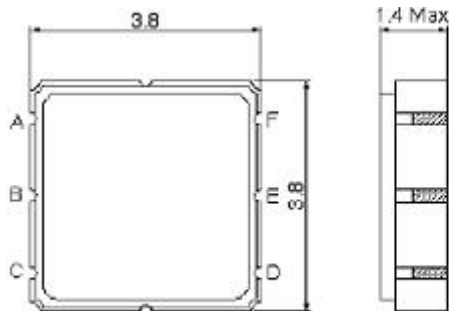
PART NUMBER :
803-RF325.3M-A

OPERATING CONDITIONS / ELECTRICAL CHARACTERISTICS

PARAMETERS	Condition	Minimum	Typical	Maximum	Units
Center Frequency (Fo)	-	-	325.3	-	MHz
Maximum Insertion Loss	322.0 ~ 328.6 MHz	-	2.5	3.5	dB
Attenuation:	Fo-100.0 ~ Fo-39.5 MHz	40	50	-	dB
	Fo+39.5 ~ Fo+100.0 MHz	50	60	-	
Source Impedance (single ended)*	-	-	150	-	ohm
Load Impedance (single ended)*	-	-	150	-	ohm
Amplitude Ripple	322.0 ~ 328.6 MHz	-	0.8	1.5	dBp-p
Maximum Input Power	-	-	-	0	dBm
Maximum DC Voltage	-	-	-	10	V
Operating Temperature	-	-30	-	+65	°C

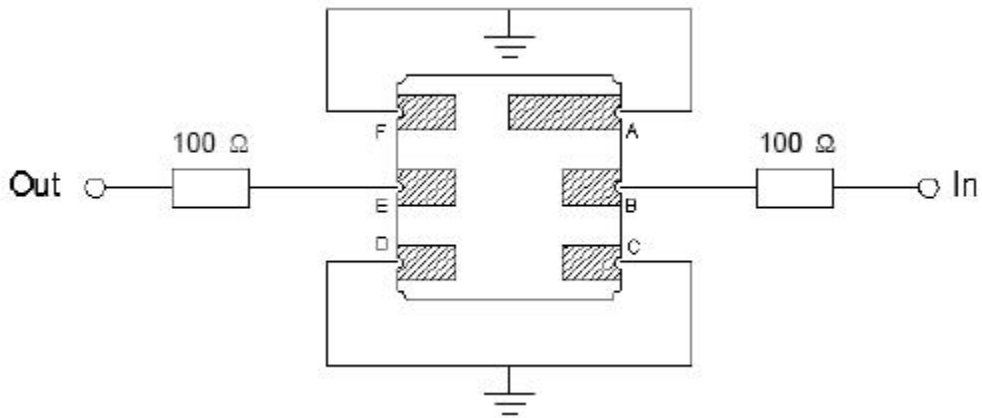
* No Matching Network (Ref. Testing Environment Circuit as shown) Impedance Values can be modified if needed.

PACKAGE OUTLINE (mm)



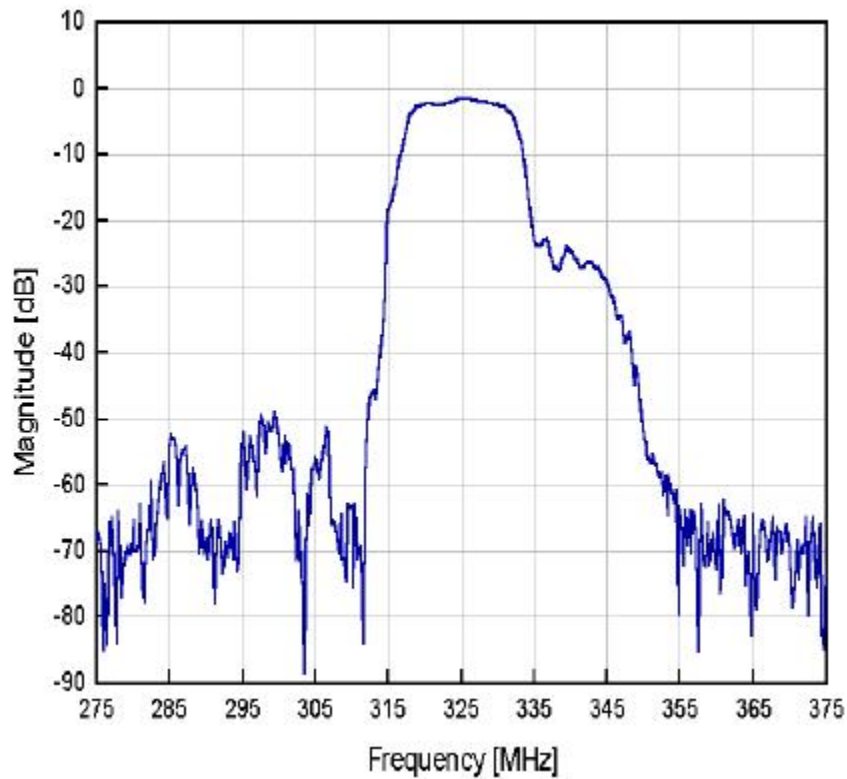
PIN LAYOUT	
A	Ground
B	In
C	Ground
D	Ground
E	Out
F	Ground

TEST FIXTURE



Source/ Load Impedance = 50 ohms

FREQUENCY RESPONSE



Oscilent Corporation - CALL **949.252.0522**

Part No.: 803-RF325.3M-A

18195 East McDermott Street, Building D, Irvine, CA 92614, USA
 Fax: 949.252.0599, E-Mail: Sales@Oscilent.com