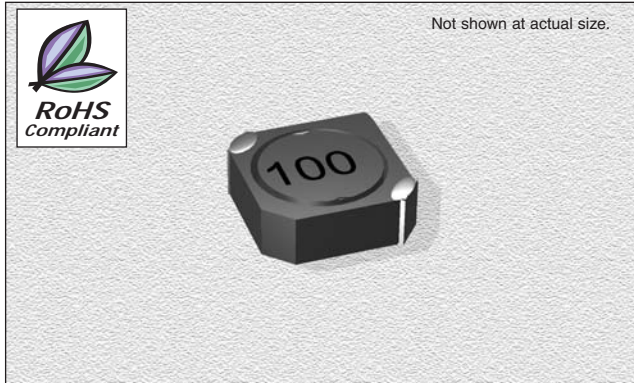


CTCDRH2D11/HPF Series

From 1.5 μH to 10 μH



CHARACTERISTICS

Description: SMD (shielded) power inductor

Applications: Power supplies for VTR, OA equipment, LCD televisions, PC notebooks, portable communication equipment, DC/DC converters, etc.

Operating Temperature: -40°C to $+85^{\circ}\text{C}$

IDC: The current when the inductance becomes 35% lower than its normal value. ($T_a=20^{\circ}\text{C}$)

Inductance Tolerance: $\pm 30\%$

Testing: Tested on a HP4285A at 100 KHz, 0.25Vrms, 0Adc

Packaging: Tape & Reel

Marking: Parts are marked with inductance code.

Miscellaneous: **RoHS Compliant available**

Additional Information: Additional electrical & physical information available upon request

Samples available. See website for ordering information.

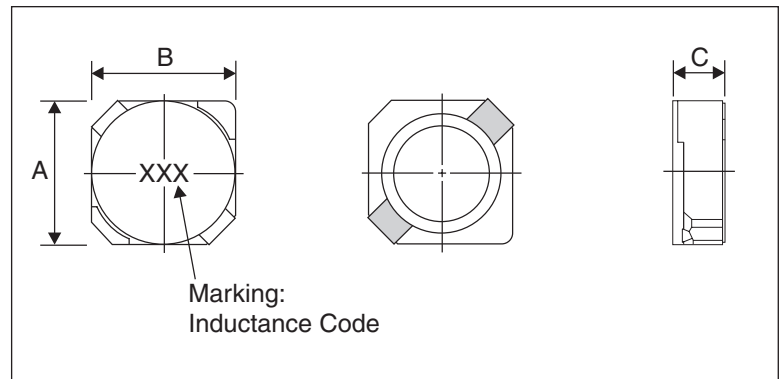
SPECIFICATIONS

Part are available in $\pm 30\%$ tolerance only

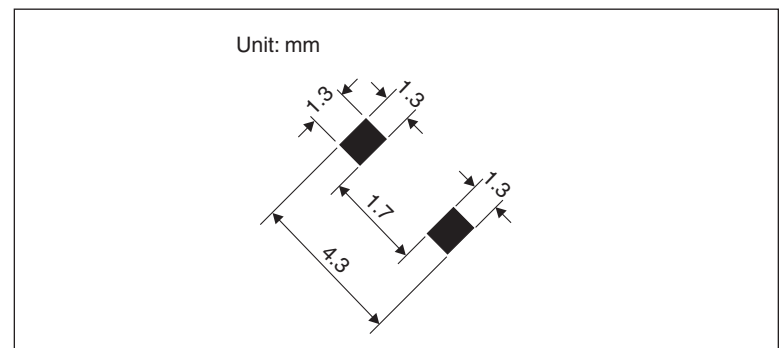
Part Number	Inductance (μH)	L Test Freq. (kHz)	DCR Max. (m Ω)	IDC (A)
CTCDRH2D11/HPF-1R5N	1.5	100	80	1.35
CTCDRH2D11/HPF-2R2N	2.2	100	120	1.10
CTCDRH2D11/HPF-3R3N	3.3	100	135	0.90
CTCDRH2D11/HPF-4R7N	4.7	100	238	0.75
CTCDRH2D11/HPF-6R8N	6.8	100	371	0.63
CTCDRH2D11/HPF-100N	10	100	559	0.52

PHYSICAL DIMENSIONS

Size	A Max.	B Max.	C Max.
mm	3.2	3.2	1.2
inches	0.126	0.126	0.047



PAD LAYOUT



06.26.06